

**MICRO SWITCH**  
a Honeywell Division  
FED MFG CODE 91929

SWITCH - TOGGLE

CATALOG LISTING  
**2TL1 SERIES**  
CHART 1

THIS DRAWING COVERS A PROPRIETARY ITEM AND IS THE PROPERTY OF MICRO SWITCH A DIVISION OF HONEYWELL. THIS DRAWING IS NOT TO BE COPIED OR USED WITHOUT THE APPROVAL OF MICRO SWITCH

CATALOG LISTING  
**M 2TL1 SERIES CHART 1**  
PAGE 1 OF 1

ISSUE  
**28**

REVISIONS

A	CO-82686	JJA	27 FEB 96
B	CO-82887	JJA	4 APR 96
C	CO-83540	JJA	30 AUG 96
D	CO-94432	CSL	23 NOV 99
E	0003011	KRB	06 FEB 04

MDM 06 FEB 04

MDM 06 FEB 04

MDM 06 FEB 04

MDM 06 FEB 04

MDM 06 FEB 04

MDM 06 FEB 04

MDM 06 FEB 04

MDM 06 FEB 04

MDM 06 FEB 04

MDM 06 FEB 04

MDM 06 FEB 04

MDM 06 FEB 04

MDM 06 FEB 04

MDM 06 FEB 04

MDM 06 FEB 04

MDM 06 FEB 04

MDM 06 FEB 04

MDM 06 FEB 04

MDM 06 FEB 04

MDM 06 FEB 04

MDM 06 FEB 04

MDM 06 FEB 04

REPLACES

RELEASE NO

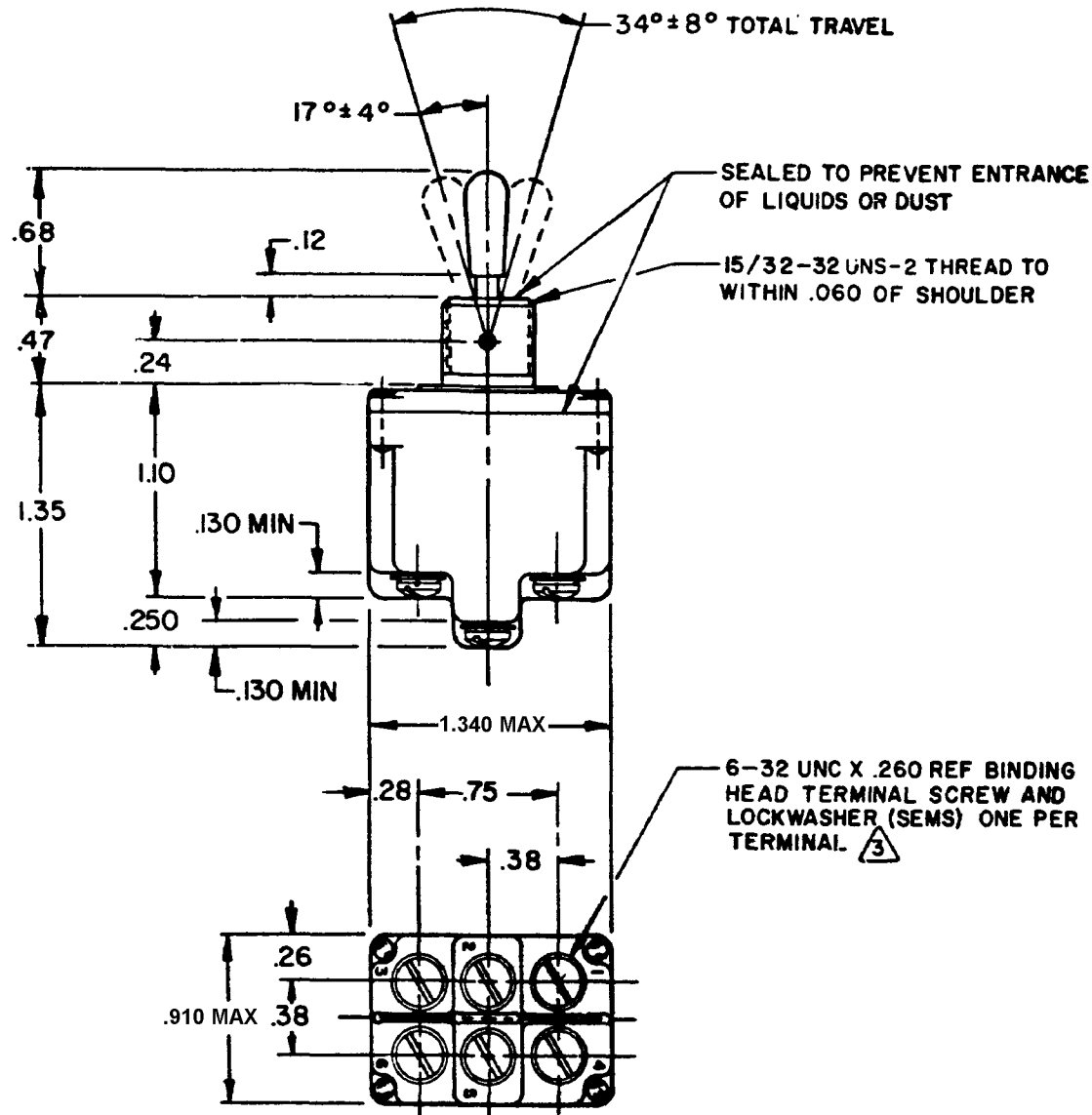
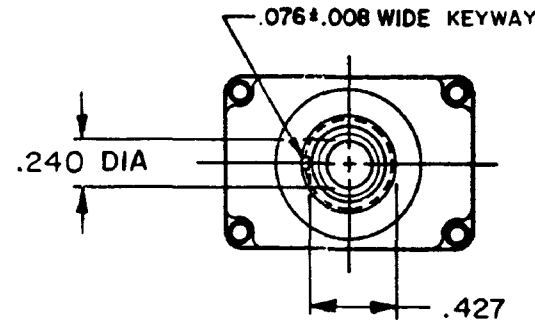
CHECK

CHECK

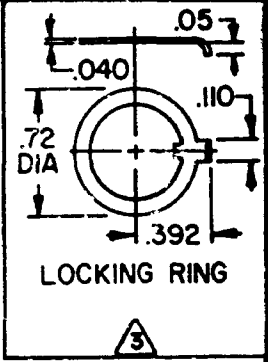
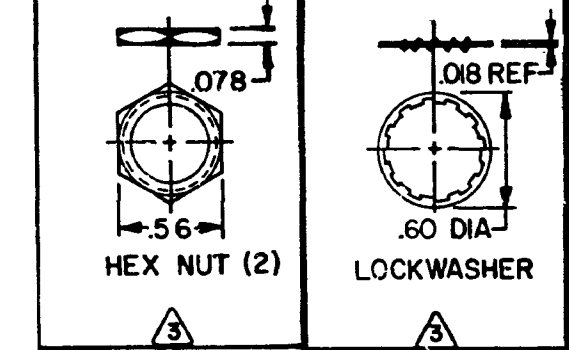
CHECK

CHECK

DRAWN



MILITARY STANDARD NUMBER	CATALOG LISTING	CIRCUIT MADE WITH TOGGLE LEVER IN			MILITARY RATING (AMPS)								
		KEYWAY SIDE (1-2,4-5)	CENTER (1-2,4-5)	OPPOSITE KEYWAY (2-3,5-6)	RESISTIVE LOAD			LAMP LOAD		INDUCTIVE LOAD			
					DC VOLTS	AC VOLTS	250	28 VDC	125 VAC	28 VDC	125 VAC		
24524-21	2TL1-1	ON	OFF	ON	20	.75	.5	15	6	7	4	15	15
24524-22	2TL1-2	OFF	NONE	ON									
24524-23	2TL1-3	ON	NONE	ON									
24524-24	2TL1-21	NONE	OFF	ON									
24524-33	2TL1-31	NONE	ON	ON									
24524-29	2TL1-4	MOM OFF	NONE	ON									
24524-31	2TL1-5	MOM ON	OFF	ON	18	.75	.5	11	6	5	2	10	8
24524-30	2TL1-6	MOM ON	NONE	OFF									
24524-27	2TL1-7	MOM ON	OFF	MOM ON									
24524-26	2TL1-8	MOM ON	NONE	ON									
24524-32	2TL1-51	NONE	ON	MOM ON									
24524-28	2TL1-61	MOM ON	OFF	NONE									



- NOTES
- 1 - SWITCHES ARE CAPABLE OF WITHSTANDING A TEMPERATURE OF 160°F CONTINUOUSLY AT FULL RATED LOAD
  - 2 - CIRCUIT DESIGNATION, MICRO SWITCH CATALOG LISTING AND "MS" NUMBER MARKED ON SIDE OF SWITCH
  - 3 - FURNISHED UNASSEMBLED
  - 4 - FOR TERMINAL COVER SEE MICRO SWITCH CATALOG LISTING 5PA8
  - 5 - APPLIES ONLY TO "ON" AND "MOMENTARY ON" POSITIONS
  - 6 - THESE SWITCHES ARE QUALIFIED UNDER MIL-S-3950

THIRD ANGLE PROJECTION  
SCALE FULL  
DO NOT SCALE PRINT  
UNLESS OTHERWISE SPECIFIED TOLERANCES ARE  
ONE PLACE ( .0 ) ± .030  
TWO PLACE ( .00 ) ± .015  
THREE PLACE ( .000 ) ± .005  
ANGLES ±  
WEIGHT .12 LB. APPROX.

15A-125,250 OR 277VAC  
1/2HP-125VAC; 1HP-250,277VAC  
5A-125VAC "L" CODE L191

10A-125,250 OR 277VAC  
1/4HP-125VAC; 1/2HP-250,277VAC  
3A-125VAC "L" CODE L192