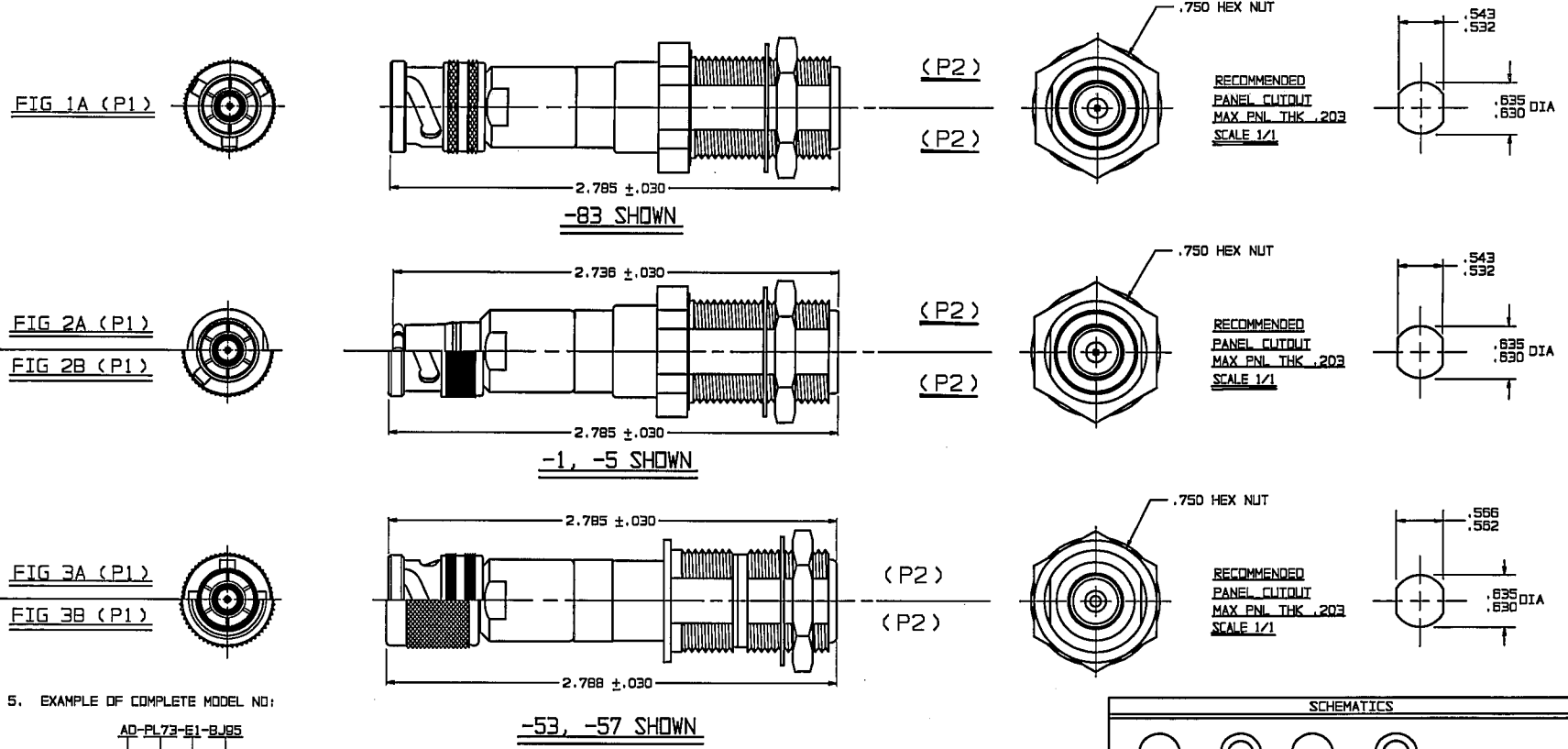


RED INDICATES ORIGINAL

DWG SIZE	C	REVISIONS					22-12	SH
		REV	ED	DESCRIPTION	DWN	APPROVED	DATE	
		F	11507	SH 2 ITEMS 9 & 10 WERE 805-0894-1 & -2	DKC	BW/FA	2/12/96	

P2 CONN TYP	FIG NO	P1 CONN TYPE																													
		PL73					PL74					PL75					PL75FL					PL75X					PL375				
		E1	E2	E3	E4	E5	E1	E2	E3	E4	E5	E1	E2	E3	E4	E5	E1	E2	E3	E4	E5	E1	E2	E3	E4	E5					

BJ95	1A/2A/2B	-1	-2	-3	-4	-81	-5	-6	-7	-8	-82	-9	-10	-11	-12	-83	-13	-14	-15	-16	-84	-86	-87	-88	-89	-90	-17	-18	-19	-20	-85
UBJ65	2A/2B	-21	-22	-23	-24		-25	-26	-27	-28		-29	-30	-31	-32		-33	-34	-35	-36		-91	-92	-93	-94		-37	-38	-39	-40	
BJ86	3A/3B	-41	-42	-43	-44		-45	-46	-47	-48		-49	-50	-51	-52		-53	-54	-55	-56		-95	-96	-97	-98		-57	-58	-59	-60	
UBJ66	3A/3B	-61	-62	-63	-64		-65	-66	-67	-68		-69	-70	-71	-72		-73	-74	-75	-76		-99	-100	-101	-102		-77	-78	-79	-80	



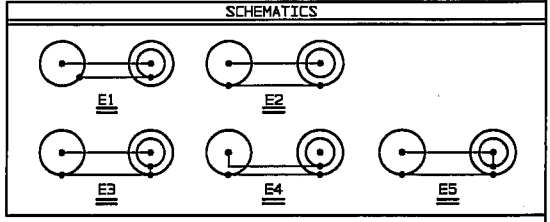
5. EXAMPLE OF COMPLETE MODEL NO:
 AD-PL73-E1-BJ95
 ADAPTER CONN P1 CONN P2 SCHEMATIC

4. EXAMPLE OF COMPLETE PART NO:
 22-12-X
 BASIC NO DASH NO

3. BETWEEN SERIES ADAPTERS: COAXIAL BNC/TNC PLUG/RECEPTACLE, INSULATED AND NONINSULATED BULKHEAD MOUNT RECEPTACLE, PUSH ON PLUG AND PUSH ON BULKHEAD MOUNT RECEPTACLE

2. TFS-1A (NICKEL)
 1. ALL DIM ARE IN INCHES

INCH	MM
.005	0.13
.030	0.76
.203	5.16
.532	13.51
.543	13.79
.562	14.27
.566	14.38
.630	16.00
.635	16.13
.750	18.05
2.736	69.49
2.785	70.74
2.788	70.82



QTY	DESCRIPTION	PART NUMBER	ITEM
TOL UNLESS SPECIFIED .XX ± .005 .XXX ± .005 .XXXX ANGLES ±		TROMPETER ELECTRONICS, INC.	ADAPTERS; PL*70* SERIES TO BULKHEAD MOUNT *N* SERIES
DWN	DKC 2-7-88	MATERIAL	CODE IDENT
CHK	BW/FA 2-12-96	14949	DRAWING NO. 22-12
ENGR			REV F
APPR	FA 2/12/96	SCALE 2/1	DATE 1/12/87 SHEET 1 OF 2