

RF Components

CU Series CU405 Type

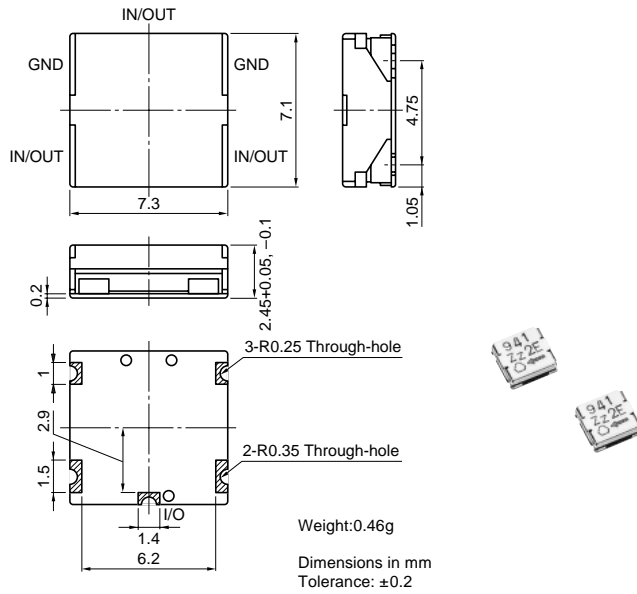
Isolators For Cellular Phone

CU405 TYPE

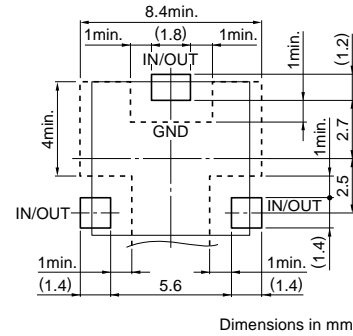
APPLICATIONS

For matching of amplifier of PHS base station.

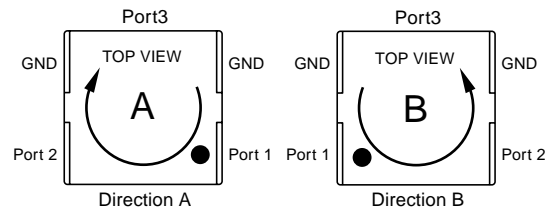
SHAPES AND DIMENSIONS



RECOMMENDED PC BOARD PATTERN REFLOW SOLDERING



INPUT AND OUTPUT TERMINAL POSITIONS AND SIGNAL DIRECTIONS



ELECTRICAL CHARACTERISTICS

System	Frequency range (MHz)	Center frequency (MHz)	Isolation (dB)		Insertion loss (dB)		VSWR[Z ₀ =50Ω]	Maximum handling power (W)	Part No.
			min.	max.	min.	max.			
PHS	1893 to 1920	1906.5	15		0.6		1.5	2.5	CU405_*11F-1906.5*2-8C

*1 Please specify signal output/input direction A or B.

*2 Center frequency (MHz)

- Temperature range: -25 to +85°C
- The case should be kept below 100°C during operation.
- Other frequencies are available on your request.

TYPICAL FREQUENCY CHARACTERISTICS (CU405A1F-1906.5-8C)

NORMAL TEMPERATURE [+23°C]

