

CS Series

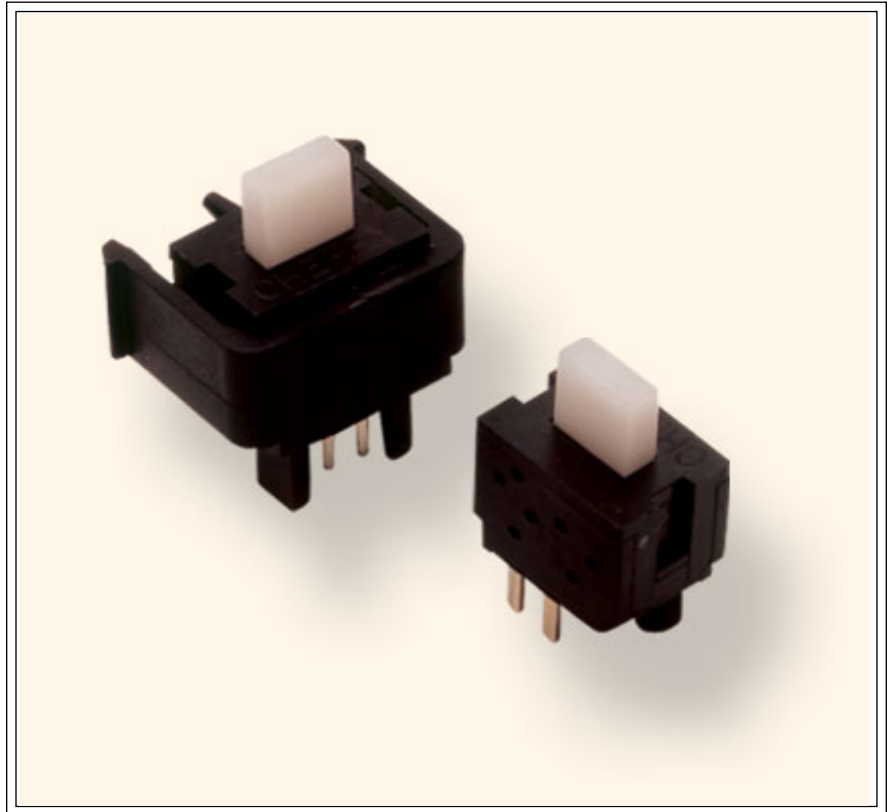
Sub-Subminiature

CS1 Standard Force 10 mA

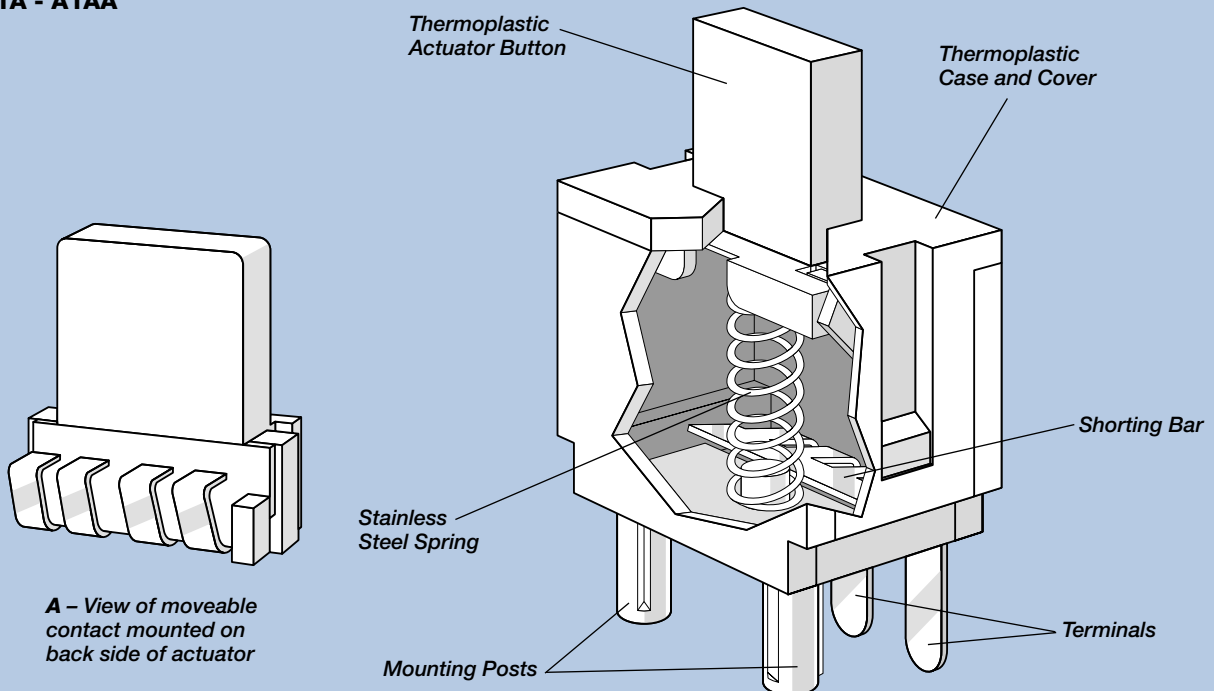
CS3 Standard Force 10 mA

Features

- 5mm stroke and 4mm overtravel give designers large mechanical margin
- Sliding contact technology ensures high reliability
- Snap-in panel mounting or PC board mounting
- Easy connection by a connector (snap-in panel mounting type)



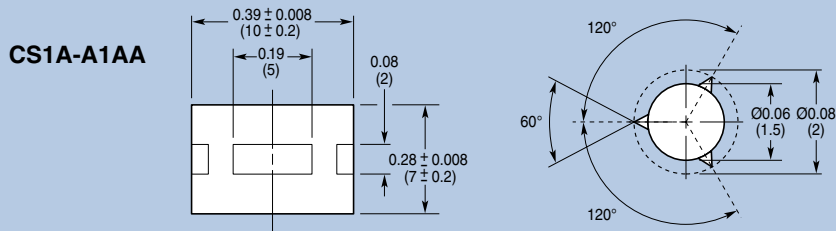
Cutaway Portrays CS1A - A1AA



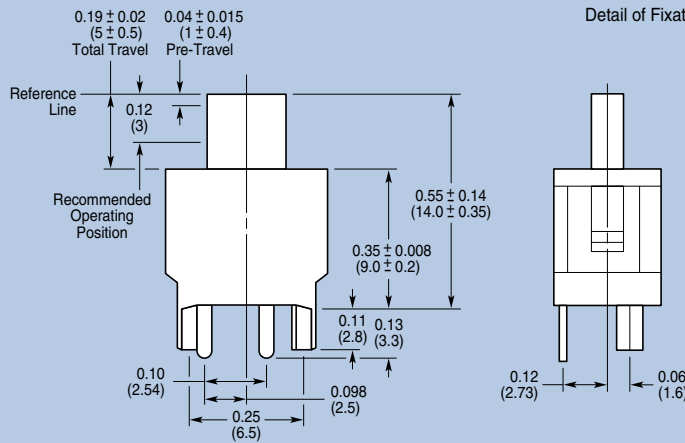
CS Series

Sub-Subminiature

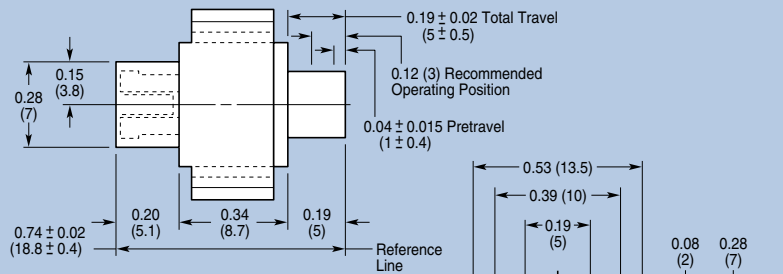
Dimensions: Inches (mm)



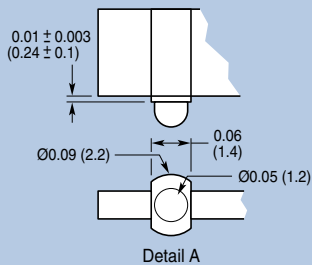
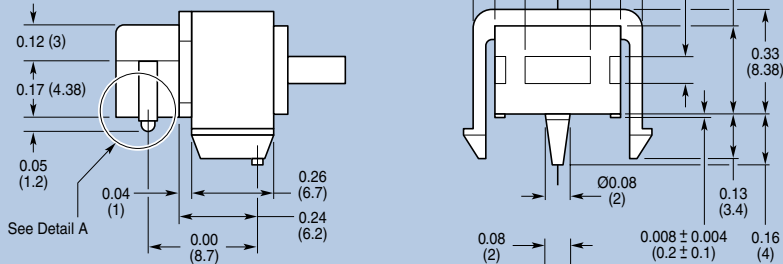
Detail of Fixation Pin



**CS1A-B2BA
CS3A-B2BA**



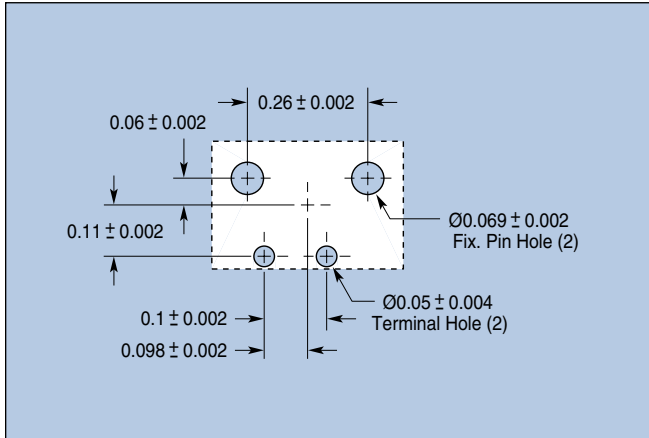
Mating Connector
AMP 173977-2



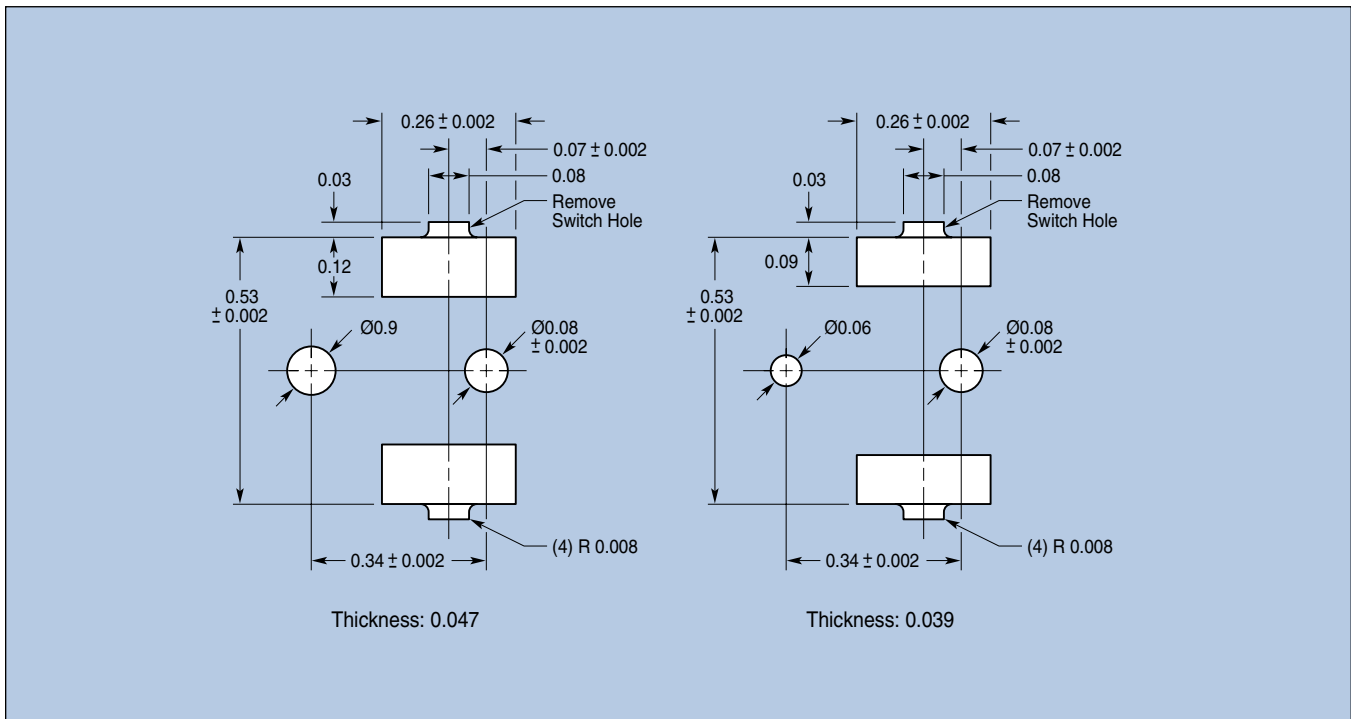
CS Series

Sub-Subminiature

PCB Footprint



Panel Mount Layout



CS Series

Sub-Subminiature

Contacts and Ratings

Series Prefix	Rating
CS1, CS3	10 mA maximum 24 VDC
Temperature Rating	-25° to +65°C
Flammability Rating	CS3: UL94V-O CS1: UL94HB

Electrical Specifications/Life

Mechanical Life	500,000 cycles
Electrical Life	100,000 cycles

Materials

Case	Thermoplastic Nylon 66
Cover	Thermoplastic Polyester
Actuator Button	CS1: Thermoplastic Acetal CS3: Thermoplastic Polyester
Bracket	Brass (Silver Plated)
Shorting Bar	Phosphor Bronze
Coil Spring	Stainless Steel (Silver Plated)
Terminal	Brass (Silver Plated)

Characteristics*

Operating Force	CS1, CS3: 85 gms. max.
Pretravel	0.040 ±0.015
Overtravel	0.160 ±0.015
Total Travel	0.190 ±0.019
Operating Point	0.120 ±0.016
Humidity Rating	85% maximum

Ordering Information

Part Number	Description
CS1A-AIAA	PC board mounting, standard force
CS1A-B2BA	Snap-in panel mounting, standard force
CS3A-B2BA	Snap-in panel mounting, standard force

* Reference line is the top surface of the button at rest.
See dimensional drawing on page 1-5.

Ordering Information

