

LOW VOLTAGE SMD VOLTAGE & TEMPERATURE CONTROLLED OSCILLATOR



3.2 x 2.5 x 0.9mm

ASTX-11L, ASVTX-11L



FEATURES:

- 3.2 x 2.5 x 0.9mm compact package
- Low current consumption
- Suitable for high-density SMT
- Vc function corresponds to PLL circuits
- IR reflow possible

APPLICATIONS:

- Cellular and cordless phones
- Standard OSC for exact equipment
- Mobile communication equipment
- Portable radio equipment and music player.
- PLL

STANDARD SPECIFICATIONS:

PARAMETERS	
ABRACON P/N	ASTX-11L Series or ASVTX-11L Series
Frequency Range	13.0000 MHz to 52.0000 MHz
Standard Frequencies (MHz)	13.0, 16.0, 19.2, 23.104, 26.0, 32.0, 33.6, 38.4, 52.0
Frequency Stability $\Delta f/f_0$	± 2.5 ppm (- 30 °C ~ + 75 °C)
Aging (first year at +25° C)	± 1.0 ppm
Operating Temperature	- 30° C to + 75° C
Storage Temperature	- 40° C to + 85° C
Supply Voltage (Vdd)	See options; 1.8V available in Q4 2008
Frequency Adjustment Range	± 8 ppm min./ (Vcont=Vdd/2 \pm 1.0V)
Supply Current (Icc)	1.5mA Max/(~19.2MHz), 2.0mA Max/(~38.4MHz), 2.5mA Max/(~52MHz)
Output Voltage	0.8 V p-p min.
Output Load	10k Ω / 10 pF
Start-up Time	5ms max. (~16.0MHz)
	3.5ms max. (>16.0MHz)

OPTIONS & PART IDENTIFICATION:

[Left blank if standard]

ASTX-11L/ASVTX-11L - - Frequency -

Vdd (V)		Frequency	Packaging		
A	3.0 \pm 5%	XX.XXX MHz	Blank	Bulk	
B	2.8 \pm 5%		T	Tape and Reel	
C	2.75 \pm 5%			1,000pcs	
D	2.4 \pm 5%				

Please contact ABRACON if parts are intended for life dependent applications.



Visit www.abracon.com for Terms & Conditions of Sale **Revised: 03.11.08**
 30332 Esperanza, Rancho Santa Margarita, California 92688
 tel 949-546-8000 | fax 949-546-8001 | www.abracon.com

LOW VOLTAGE SMD VOLTAGE & TEMPERATURE CONTROLLED OSCILLATOR



ASTX-11L
ASVTX-11L

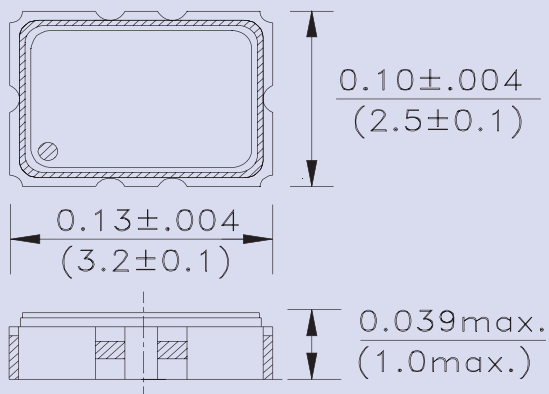
3.2 x 2.5 x 0.9mm



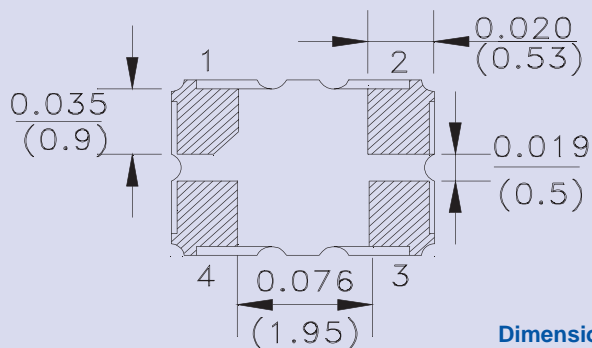
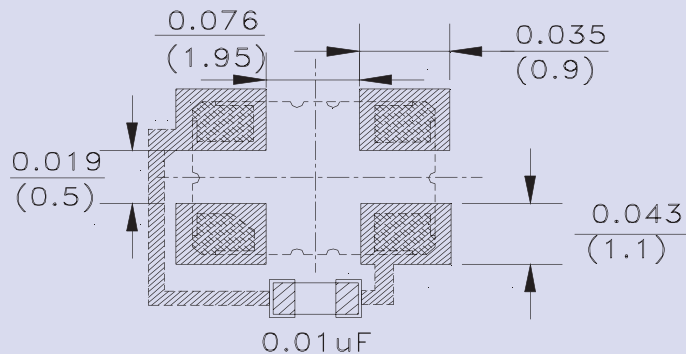
RoHS
Compliant

ASTX-11L, ASVTX-11L

OUTLINE DRAWING:



Recommended land pattern



Dimensions: Inches (mm)

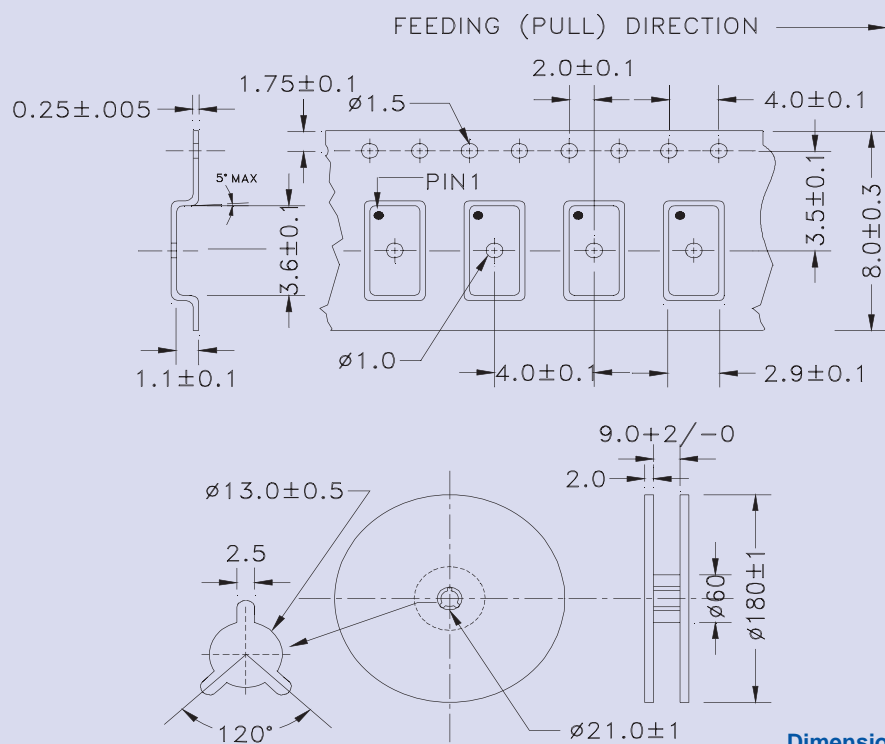
PIN	FUNCTION
1	Vcc/GND*
2	GND
3	OUTPUT
4	Vdd

* GND for ASTX-11L (TCXO)

It is not recommended that paths go underneath the oscillator. If needed, please use multi-layer PCB board or resist coating.

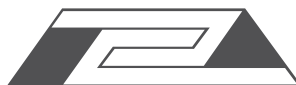
Note: Recommend using an approximately 0.01uF bypass capacitor between PIN 2 and 4.

TAPE & REEL: Tape and reel 1,000pcs/reel



Dimensions: mm

ABRACON IS
ISO 9001 / QS 9000
CERTIFIED



ABRACON
CORPORATION

Visit www.abracon.com for Terms & Conditions of Sale **Revised: 03.11.08**
 30332 Esperanza, Rancho Santa Margarita, California 92688
 tel 949-546-8000 | fax 949-546-8001 | www.abracon.com