

PLEASE CHECK WWW.MOLEX.COM FOR LATEST PART INFORMATION

Part Number: **0473921104**

Status: **Active**

Description: 1.27mm (.050") Pitch External Improved Metal-Shielded Serial ATA Plug, Through Hole, Right Angle, 0.38µm (15µ") Gold (Au) Plating, Unmating Height 7.70mm (.303"), Red, Inline Plastic Pegs, without Mylar, 7 Circuits, Lead free

Documents:

[3D Model](#)

[Drawing \(PDF\)](#)

[Product Specification PS-47082-001 \(PDF\)](#)

[RoHS Certificate of Compliance \(PDF\)](#)

General

Product Family	I/O Connectors
Series	<u>47392</u>
Application	Wire-to-Board
Comments	In Line Posts. DIP Mount with Shell
Component Type	Plug
Product Name	External Serial ATA
Type	N/A

Physical

Boot Color	N/A
Circuits (Loaded)	7
Circuits (maximum)	7
Color - Resin	Red
Gender	Plug
Keying to Mating Part	Yes
Lock to Mating Part	Yes
Material - Metal	Copper Alloy
Material - Plating Mating	Gold
Material - Plating Termination	Tin
Number of Rows	1
Orientation	Right Angle
PCB Locator	Yes
PCB Retention	Yes
PCB Thickness Recommended (in)	0.051 In
PCB Thickness Recommended (mm)	1.30 mm
Packaging Type	Tray
Panel Mount	Front
Pitch - Mating Interface (in)	0.050 In
Pitch - Mating Interface (mm)	1.27 mm
Pitch - Term. Interface (in)	0.050 In
Pitch - Term. Interface (mm)	1.27 mm
Plating min: Mating (µin)	15
Plating min: Mating (µm)	0.38
Plating min: Termination (µin)	50
Plating min: Termination (µm)	1.27
Polarized to Mating Part	Yes
Polarized to PCB	Yes
Ports	1
Surface Mount Compatible (SMC)	No
Temperature Range - Operating	-35°C to +85°C
Termination Interface: Style	Through Hole
Waterproof / Dustproof	No

Electrical

Current - Maximum per Contact	1.5A
-------------------------------	------

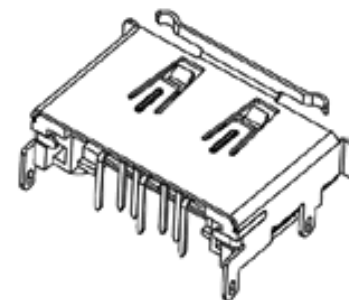


image - Reference only

Series

EU RoHS

**ELV and RoHS
Compliant**

REACH SVHC

Contains SVHC: No

Halogen-Free

Status

Not Halogen-Free

China RoHS



**Need more information on product
environmental compliance?**

Email productcompliance@molex.com
For a multiple part number RoHS Certificate of
Compliance, [click here](#)

Please visit the [Contact Us](#) section for any
non-product compliance questions.

Search Parts in this Series

[47392Series](#)

Mates With

[68782](#) External Serial ATA Cable
Assemblies . [47078-0001](#) , [47078-1001](#) ,
[47078-2001](#) , [47078-0003](#) , [47078-0004](#)
Cable Connector for External Serial ATA

Grounding to Panel	All Panel Ground Tabs
Shield Type	Upper Shielding
Shielded	Yes
Voltage - Maximum	15V DC

Solder Process Data

Duration at Max. Process Temperature (seconds)	30
Lead-free Process Capability	Reflow Capable (SMT only)
Max. Cycles at Max. Process Temperature	1
Process Temperature max. C	255

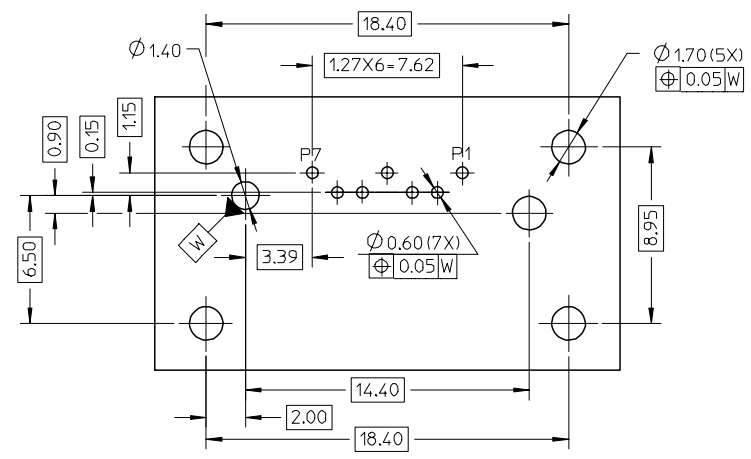
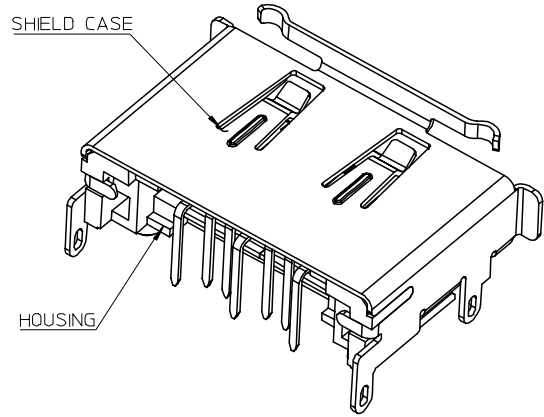
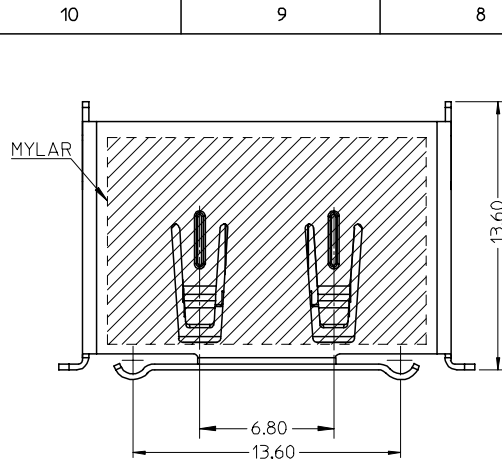
Material Info

Reference - Drawing Numbers

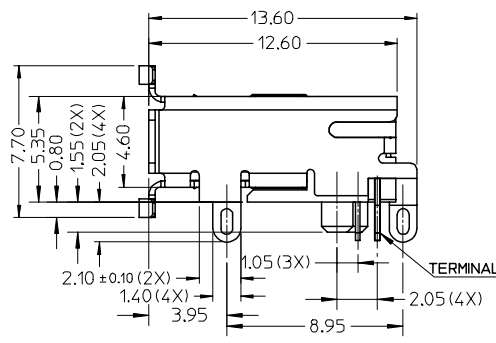
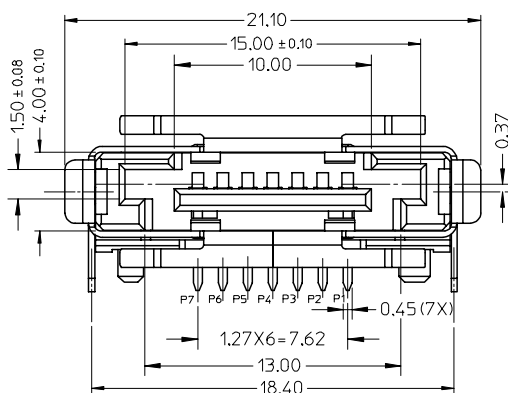
Packaging Specification	PK-47379-001, PK-47379-002
Product Specification	PS-47082-001
Sales Drawing	SD-47392-100

This document was generated on 05/25/2010

PLEASE CHECK WWW.MOLEX.COM FOR LATEST PART INFORMATION

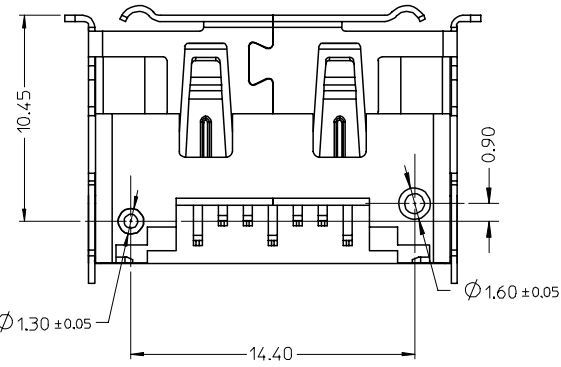


RECOMMEND PCB LAYOUT(CONNECTOR SIDE)
THICKNESS=1.30(ALL TOLERANCE: +/-0.05)

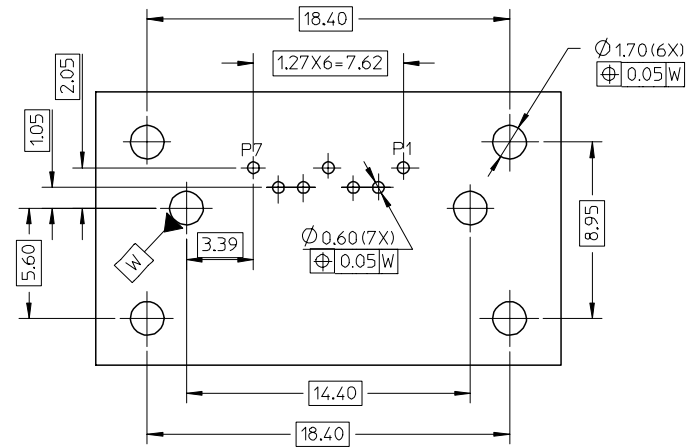
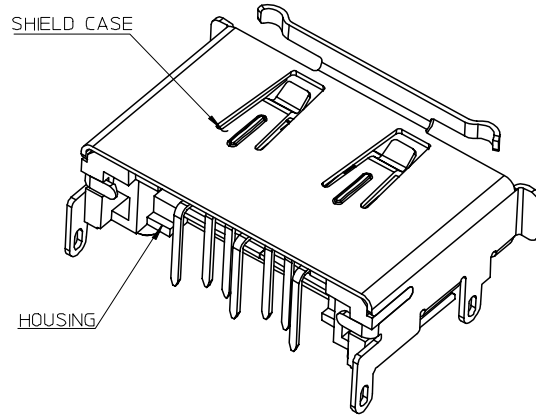
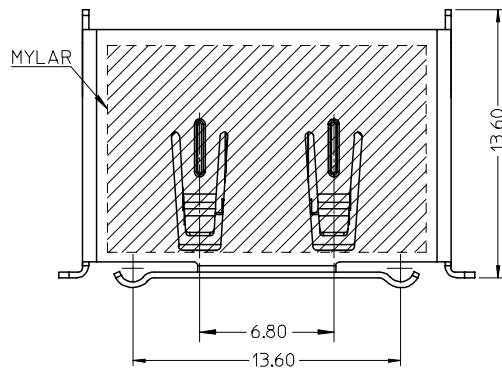


NOTES:

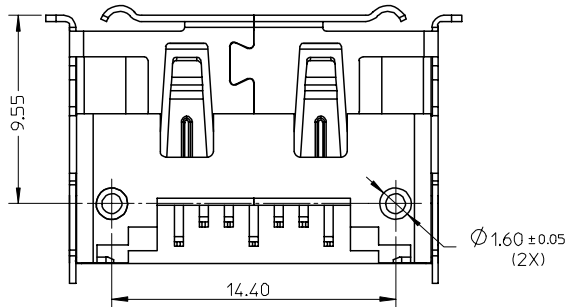
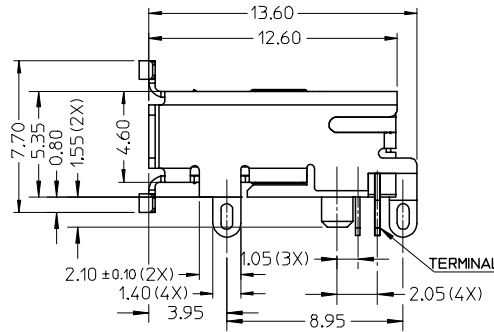
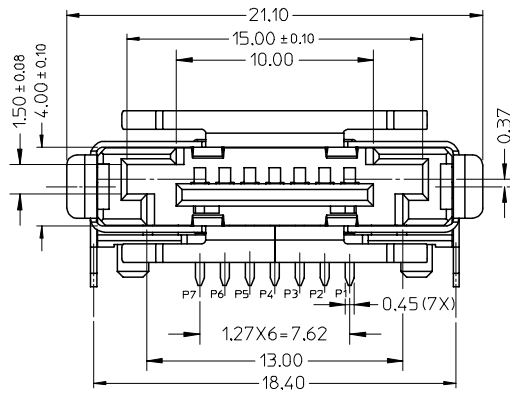
- MATERIAL:
HOUSING: THERMAL PLASTIC,COLOR: BLACK, UL94V-0.
SHIELD CASE: COPPER ALLOY.
TERMIANL: COPPER ALLOY.
- PLATING:
SHIELD CASE: 100~200µ" SOLDERABLE NICKEL OVER ALL.
TERMINAL: CONTACT AREA GOLD PLATING(SEE CHART) AND
SOLDER TAIL 50~100µ" TIN ALLOY PLATING
OVER 50µ" MIN. NICKEL.
- PRODUCT SPEC REFER TO PS-47082-001.
- PACKAGE SPEC REFER TO PK-47379-001.
- PRODUCT MEET STANDARD 1.0 REVISION OF THE SERIAL ATA II:
CABLE AND CONNECTOR VOL 2 SPECIFICATION.
- PRODUCT COMPLIANT TO RoHS DIRECTIVE 2002/95/EC AND ELV 2000/53/EC.



REVISED	EC NO:	2007/04/30	QUALITY SYMBOLS ▽=0 ▽C=0	GENERAL TOLERANCES (UNLESS SPECIFIED)		DIMENSION STYLE MM ONLY		SCALE 1:1	DESIGN UNITS METRIC	THIRD ANGLE PROJECTION
	DRWN:GLLI	2007/05/04		mm	INCH	DRAWN BY DIXON LI	DATE 2006/11/17	TITLE EXTERNAL SATA PLUG WITH SHELL DIP MOUNT TYPE	MOLEX INCORPORATED	SHEET NO. 1 OF 3
	CHKD:	2007/05/09		4 PLACES ± --- ± ---		CHECKED BY JENNY ZENG	DATE 2006/11/17			
	APPR: JNCHEN			3 PLACES ± --- ± ---		APPROVED BY GRATE MA	DATE 2006/11/17			
REV	DESCRIPTION	2 PLACES ± 0.2 ± ---		MATERIAL NO.		DOCUMENT NO.				
		1 PLACE ± 0.25 ± ---		DRAFT WHERE APPLICABLE MUST REMAIN WITHIN DIMENSIONS		SEE TABLE IN SHEET 3		SD-47392-100		
		ANGULAR ± 3 °		SIZE A3		THIS DRAWING CONTAINS INFORMATION THAT IS PROPRIETARY TO MOLEX INCORPORATED AND SHOULD NOT BE USED WITHOUT WRITTEN PERMISSION				



RECOMMEND PCB LAYOUT(CONNECTOR SIDE)
THICKNESS=1.30(ALL TOLERANCE: +/-0.05)



REVISED	EC NO:	2007/04/30	QUALITY SYMBOLS	GENERAL TOLERANCES (UNLESS SPECIFIED)		DIMENSION STYLE		SCALE	DESIGN UNITS	THIRD ANGLE PROJECTION		
	DRWN:GLLI	2007/05/04		mm INCH		MM ONLY		1:1	METRIC	DRAWN BY DATE		
	CHKD:	2007/05/09		4 PLACES ± --- ± ---	DIXON LI	2006/11/17	TITLE		EXTERNAL SATA PLUG WITH SHELL			
	APPR: JNCHEN	2007/05/09		3 PLACES ± --- ± ---	CHECKED BY DATE		JENNY ZENG		2006/11/17	DIP MOUNT TYPE		
			2 PLACES ± 0.2 ± ---	APPROVED BY DATE		GRATE MA		2006/11/17	MOLEX INCORPORATED			
			1 PLACE ± 0.25 ± ---	ANGULAR ± 3 °		MATERIAL NO.		DOCUMENT NO.		SHEET NO.		
				DRAFT WHERE APPLICABLE MUST REMAIN WITHIN DIMENSIONS		SEE TABLE IN SHEET 3		SD-47392-100		2 OF 3		
						SIZE		THIS DRAWING CONTAINS INFORMATION THAT IS PROPRIETARY TO MOLEX INCORPORATED AND SHOULD NOT BE USED WITHOUT WRITTEN PERMISSION				

	10	9	8	7	6	5	4	3	2	1				
F	473920205	ORANGE	0.76 MICRONS MIN	PA46(ONLY USE FOR WAVE SOLDER)	TWO POSTS ARE STAGGER AND DIAMETERS ARE DIFERRENT (DETAILS REFER TO SHEET 1)		473921205	ORANGE	0.76 MICRONS MIN	PA46(ONLY USE FOR WAVE SOLDER)	TWO POSTS ARE IN LINE AND DIAMETERS ARE SAME (DETAILS REFER TO SHEET 2)			
	473920204	RED					473921204	RED						
	473920203	BLUE					473921203	BLUE						
	473920202	NATURE					473921202	NATURE						
	473920201	BLACK					473921201	BLACK						
	E	473920105	ORANGE				0.38 MICRONS MIN	GOLD FLASH	473921105			ORANGE	0.38 MICRONS MIN	GOLD FLASH
		473920104	RED						473921104			RED		
		473920103	BLUE						473921103			BLUE		
		473920102	NATURE						473921102			NATURE		
		473920101	BLACK						473921101			BLACK		
D	473920005	ORANGE	0.76 MICRONS MIN	PA6T(USE FOR IR AND WAVE SOLDER)	473921005	ORANGE	0.76 MICRONS MIN	PA6T(USE FOR IR AND WAVE SOLDER)						
	473920004	RED			473921004	RED								
	473920003	BLUE			473921003	BLUE								
	473920002	NATURE			473921002	NATURE								
	473920001	BLACK			473921001	BLACK								
C	473920305	ORANGE	0.38 MICRONS MIN	GOLD FLASH	473921305	ORANGE	0.38 MICRONS MIN	GOLD FLASH						
	473920304	RED			473921304	RED								
	473920303	BLUE			473921303	BLUE								
	473920302	NATURE			473921302	NATURE								
	473920301	BLACK			473921301	BLACK								
	B	473920405	ORANGE		GOLD FLASH	GOLD FLASH	473921405		ORANGE	GOLD FLASH	GOLD FLASH			
		473920404	RED				473921404		RED					
		473920403	BLUE				473921403		BLUE					
		473920402	NATURE				473921402		NATURE					
		473920401	BLACK				473921401		BLACK					
A	473920505	ORANGE	GOLD FLASH	GOLD FLASH	473921505	ORANGE	GOLD FLASH	GOLD FLASH						
	473920504	RED			473921504	RED								
	473920503	BLUE			473921503	BLUE								
	473920502	NATURE			473921502	NATURE								
	473920501	BLACK			473921501	BLACK								
MATERIAL MUBER	HOUSING COLOR	TERMINAL CONTACT PLATING	HOUSING MATERIAL	REMARK	MATERIAL NUMBER	HOUSING COLOR	TERMINAL CONTACT PLATING	HOUSING MATERIAL	REMARK					

B

REVISED EC NO: SH2007-0788 2007/04/30 DRWG:GLL CHKD:JTIAN 2007/05/04 APPR: JNCHEN 2007/05/09	QUALITY SYMBOLS ▽=0 △=0	GENERAL TOLERANCES (UNLESS SPECIFIED)		DIMENSION STYLE MM ONLY		SCALE	DESIGN UNITS METRIC	THIRD ANGLE PROJECTION		
		4 PLACES	± ---	± ---	DRAWN BY	DATE	TITLE			
		3 PLACES	± ---	± ---	DIXON LI	2006/11/17	EXTERNAL SATA PLUG WITH SHELL DIP MOUNT TYPE			
		2 PLACES	± 0.2	± ---	CHECKED BY	DATE	MOLEX INCORPORATED			
		1 PLACE	± 0.25	± ---	JENNY ZENG	2006/11/17	MATERIAL NO. SD-47392-100 SHEET NO. 3 OF 3			
DRAFT WHERE APPLICABLE MUST REMAIN WITHIN DIMENSIONS		ANGULAR ± 3 °		APPROVED BY		DATE		DOCUMENT NO.		
SIZE A3		SEE TABLE		GRATE MA		2006/11/17		THIS DRAWING CONTAINS INFORMATION THAT IS PROPRIETARY TO MOLEX INCORPORATED AND SHOULD NOT BE USED WITHOUT WRITTEN PERMISSION		