



RL-6100

TOROIDAL SWITCH MODE INDUCTORS



This new series of power toroids is designed for switching power supply applications. They will operate efficiently up to 200KHZ switching frequencies. The use of linear, low loss core material make these inductors also suited for many other applications requiring a toroid.

See the part number system below to determine the appropriate part number.

ORDERING INFORMATION:

Part Numbering system

RL-6100 - RENC0 PART NUMBER - XX

↑
Select mounting style and corresponding size from mounting codes on Page 2

Three mounting styles available:	Select
Self-Leaded, Vertical	-V
Self-Leaded, Horizontal	-H
Vertical Base Mounted	-B



RENCO ELECTRONICS, INC.

595 International Place, Rockledge, FL 32955-4200 USA

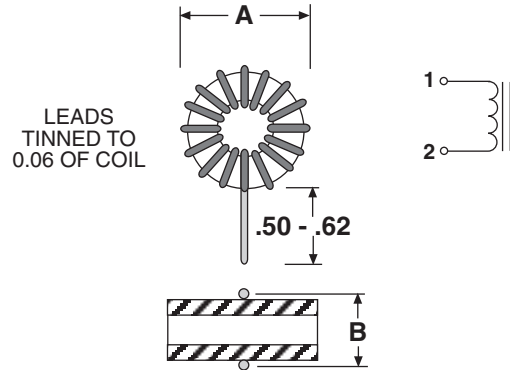
(321) 637-1000 • Toll Free Engineering Hot line 800-645-5828

Fax: (321) 637-1600 Web Site: www.rencousa.com E-mail: sales@rencousa.com

MOUNTING STYLES

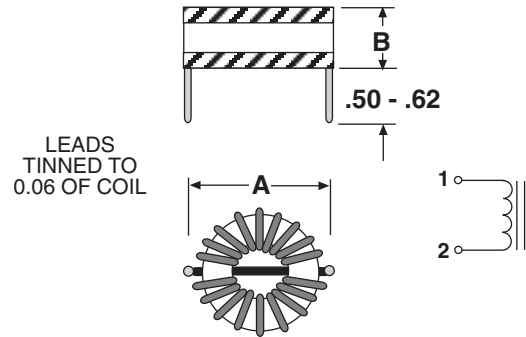
VERTICAL SELF-LEAD OPTION 1

MOUNTING CODE	A MAX	B MAX
V1	.625	.300
V2	.850	.425
V3	.975	.425
V4	.975	.550
V5	1.250	.600
V6	1.500	.700
V7	1.750	.750
V8	2.050	.900



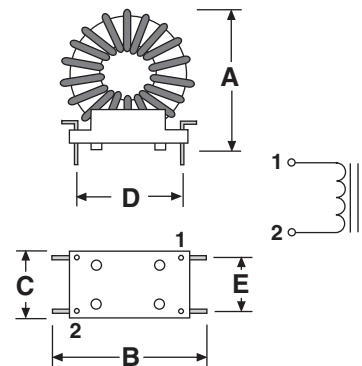
HORIZONTAL SELF-LEAD OPTION 2

MOUNTING CODE	A NOMINAL	B MAX
H1	.570	.300
H2	.780	.425
H3	.900	.425
H4	.900	.550
H5	1.170	.600
H6	1.450	.700
H7	1.700	.750
H8	1.975	.900



VERTICAL BASE MOUNT OPTION 3

MOUNTING CODE	A MAX	B MAX	C MAX	D ±.010	E ±.010	LEAD LENGTH	LEAD DIAMETER
B1	.700	.780	.650	.600	.250	.150 ±.020	.025 SQ.
B2	.950	1.250	.625	.800	.400	.250-.312	.038 SQ.
B3	1.100	1.250	.625	.800	.400	.250-.312	.038 SQ.
B4	1.350	1.430	.850	.900	.600	.250-.312	.038 SQ.
B5	1.550	1.430	.850	.900	.600	.250-.312	.038 SQ.
B6	1.825	1.700	.925	1.200	.700	.250-.312	.038 SQ.
B7	2.100	2.000	1.125	1.500	.900	.250-.312	.038 SQ.



RENCO ELECTRONICS, INC.

595 International Place, Rockledge, FL 32955-4200 USA

(321) 637-1000 • Toll Free Engineering Hot line 800-645-5828

Fax: (321) 637-1600 Web Site: www.rencousa.com E-mail: sales@rencousa.com

RL-6100 Renco Part No.	REFERENCED OPERATING VALUES			DESIGN CONTROLS				
	Inductance (μ H)	I DC (Amps)	DCR (OHMS) MAX	Inductance @ 10 KHZ NO DC \pm 15%	ET op (V- μ sec)	Mounting Codes ONLY	DIA. (\pm .003) For Self-Leaded (μ J) For Base Mount See Chart on page 3	Energy Storage
RL-6100-20-1-XX	20	1	.072	20	4	V1/H1/B1	.020	10
RL-6100-48-1-XX	48	1	.080	57	10	V1/H1/B1	.020	24
RL-6100-68-1-XX	68	1	.125	73	14	V1/H1/B1	.020	34
RL-6100-100-1-XX	100	1	.145	111	20	V1/H1/B1	.020	50
RL-6100-150-1-XX	150	1	.200	170	30	V2/H2/B2	.020	75
RL-6100-220-1-XX	220	1	.235	247	44	V2/H2/B2	.020	110
RL-6100-330-1-XX	330	1	.265	388	66	V2/H2/B2	.020	165
RL-6100-470-1-XX	470	1	.370	564	95	V2/H2/B2	.020	235
RL-6100-680-1-XX	680	1	.600	850	137	V3/H3/B3	.020	340
RL-6100-1K-1-XX	1000	1	.700	1250	200	V4/H4/B3	.020	500
RL-6100-20-3-XX	20	3	.031	22	12	V2/H2/B2	.032	90
RL-6100-48-3-XX	48	3	.060	55	29	V3/H3/B3	.032	216
RL-6100-68-3-XX	68	3	.075	83	41	V3/H3/B3	.032	306
RL-6100-100-3-XX	100	3	.095	133	60	V3/H3/B3	.032	450
RL-6100-150-3-XX	150	3	.118	172	90	V5/H5/B4	.032	675
RL-6100-220-3-XX	220	3	.140	262	133	V5/H5/B4	.032	990
RL-6100-330-3-XX	330	3	.180	429	200	V5/H5/B4	.032	1485
RL-6100-470-3-XX	470	3	.220	595	284	V6/H6/B5	.032	2115
RL-6100-680-3-XX	680	3	.320	850	410	V7/H7/B6	.032	3060
RL-6100-1K-3-XX	1000	3	.320	1500	604	V8/H8/B7	.032	4500
RL-6100-20-5-XX	20	5	.020	23	21	V2/H2/B2	.040	250
RL-6100-48-5-XX	48	5	.040	60	46	V3/H3/B3	.040	600
RL-6100-68-5-XX	68	5	.042	72	69	V5/H5/B4	.040	850
RL-6100-100-5-XX	100	5	.058	110	100	V5/H5/B4	.040	1250
RL-6100-150-5-XX	150	5	.070	182	150	V5/H5/B4	.040	1875



RENCO ELECTRONICS, INC.

595 International Place, Rockledge, FL 32955-4200 USA

(321) 637-1000 • Toll Free Engineering Hot line 800-645-5828

Fax: (321) 637-1600 Web Site: www.rencousa.com E-mail: sales@rencousa.com