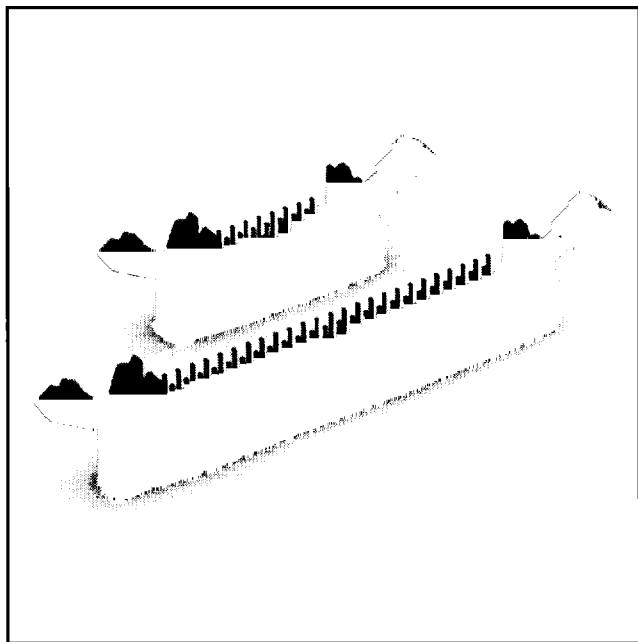


# .100" x .100" Right Angle Header

3 Wall, MIL-C-83503/20 Qualified



165

TS-0132-06  
Sheet 1 of 3

- Meets all requirements and performance requirements of MIL-C-83503
- Low profile
- Mounting holes for securing header to board
- 3 wall shrouded to help prevent physical and chemical pin damage
- Solder tail and wrap post tail options

## Physical

### Insulation

Material: Glass Filled Polyester (PBT) Per MIL-M-24519

Flammability: UL 94V-0

Color: Gray

### Contact

Material: Phosphor Bronze Per QQ-B-750

Plating

Underplate: 100  $\mu$ " [ 2.54  $\mu$ m ] Nickel — QQ-N-290, Class 2

Wiping Area: 50  $\mu$ " [ 1.27  $\mu$ m ] Gold — MIL-G-45204, Type II, Grade C, Class I

Solder Tails: 200  $\mu$ " [ 5.08  $\mu$ m ] Tin Lead — MIL-P-81728

Wrappost: 50  $\mu$ " [ 1.27  $\mu$ m ] Gold — MIL-G-45204, Type II, Grade C, Class I

Marking: 3M Logo, Part Identification Number and Orientation Triangle

## Electrical

Current Rating: 1 A

Insulation Resistance:  $> 1 \times 10^9 \Omega$  at 500 VDC

Withstanding Voltage: 1000 Vrms to Sea Level

## Environmental

Temperature Rating:  $-55^\circ\text{C}$  to  $+120^\circ\text{C}$

CAGE (FSCM) No.: 53387

UL File No.: E68080

CSA File No.: LR 40791

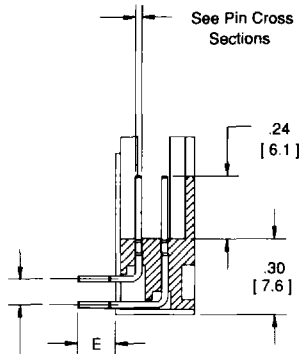
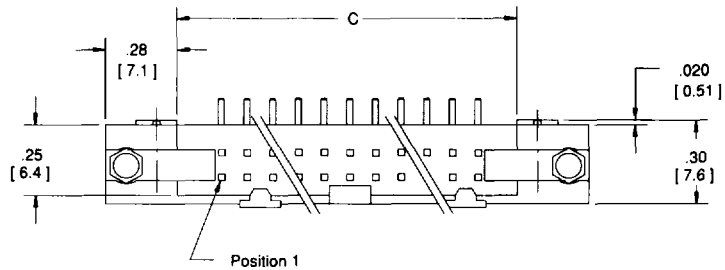
### 3M Electronic Products Division

6801 River Place Blvd.  
Austin, TX 78726-9000

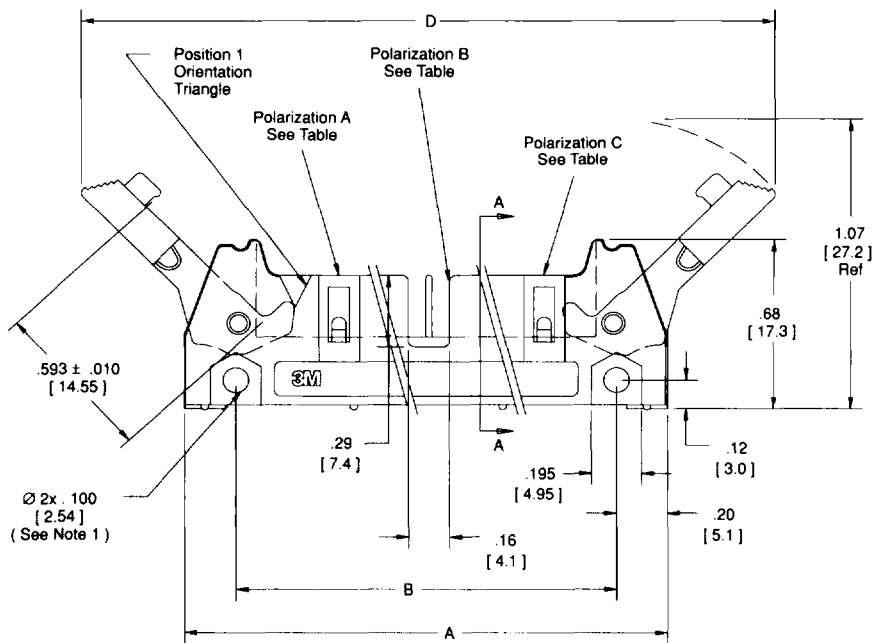
# .100" x .100" Right Angle Header

3 Wall, MIL-C-83503/20 Qualified

Sheet 2 of 3



Section A-A



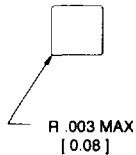
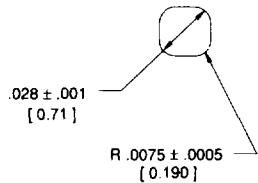
### PIN CROSS SECTIONS

SOLDER  
TAIL

.0245 ± .0005  
[0.622]

WRAPPOST

.025 ± .002  
[0.64]



Inch  
[mm]

Tolerance Unless Noted			
	.0	.00	.000
Inch	± .1	± .01	± .005

[ ] Dimensions for  
Reference Only

TS-0132-06

## 3M Electronic Products Division

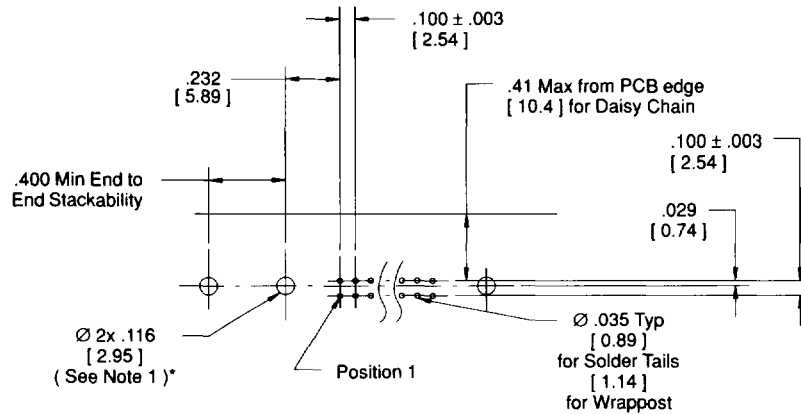
6801 River Place Blvd.  
Austin, TX 78726-9000

# .100" x .100" Right Angle Header

3 Wall, MIL-C-83503/20 Qualified

Sheet 3 of 3

Pos	3M Part Number	Military Part Number	Dimension					Polarization Features Provided
			A	B	C	D Ref	E ± .013	
14	M3314-1302 -1303 -3305	M83503/20-04 /20-05 /20-06	1.46 [ 37.1 ]	1.06 [ 26.9 ]	.91 [ 23.1 ]	2.38 [ 60.5 ]	.102 [ 2.59 ] .165 [ 4.19 ] .61 [ 15.5 ] Ref	B C
16	M3408-1302 -1303 -3305	M83503/20-07 /20-08 /20-09	1.56 [ 39.6 ]	1.16 [ 29.5 ]	1.01 [ 25.7 ]	2.48 [ 63.0 ]	.102 [ 2.59 ] .165 [ 4.19 ] .61 [ 15.5 ] Ref	A B C
20	M3428-1302 -1303 -3305	M83503/20-10 /20-11 /20-12	1.76 [ 44.7 ]	1.36 [ 34.5 ]	1.21 [ 30.7 ]	2.68 [ 68.1 ]	.102 [ 2.59 ] .165 [ 4.19 ] .61 [ 15.5 ] Ref	A B C
26	M3429-1302 -1303 -3305	M83503/20-13 /20-14 /20-15	2.06 [ 52.3 ]	1.66 [ 42.2 ]	1.51 [ 38.4 ]	2.98 [ 75.7 ]	.102 [ 2.59 ] .165 [ 4.19 ] .61 [ 15.5 ] Ref	A B C
34	M3431-1302 -1303 -3305	M83503/20-16 /20-17 /20-18	2.46 [ 62.5 ]	2.06 [ 52.3 ]	1.91 [ 48.5 ]	3.38 [ 85.9 ]	.102 [ 2.59 ] .165 [ 4.19 ] .61 [ 15.5 ] Ref	A B C
40	M3432-1302 -1303 -3305	M83503/20-19 /20-20 /20-21	2.76 [ 70.1 ]	2.36 [ 59.9 ]	2.21 [ 56.1 ]	3.68 [ 93.5 ]	.102 [ 2.59 ] .165 [ 4.19 ] .61 [ 15.5 ] Ref	A B C
50	M3433-1302 -1303 -3305	M83503/20-22 /20-23 /20-24	3.26 [ 82.8 ]	2.86 [ 72.6 ]	2.71 [ 68.8 ]	4.18 [ 106.2 ]	.102 [ 2.59 ] .165 [ 4.19 ] .61 [ 15.5 ] Ref	A B C
60	M3372-1302 -1303 -3305	M83503/20-25 /20-26 /20-27	3.76 [ 95.5 ]	3.36 [ 85.3 ]	3.21 [ 81.5 ]	4.68 [ 118.9 ]	.102 [ 2.59 ] .165 [ 4.19 ] .61 [ 15.5 ] Ref	A B C

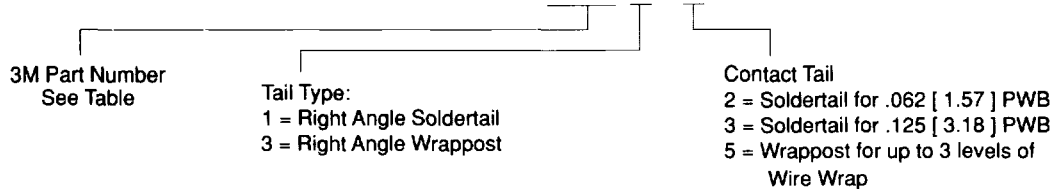


Recommended Mounting Hole Pattern

TS-0132-06

## Ordering Information

### 3M Part Number Definition MXXXX-X30X



## 3M Electronic Products Division

6801 River Place Blvd.  
Austin, TX 78726-9000