

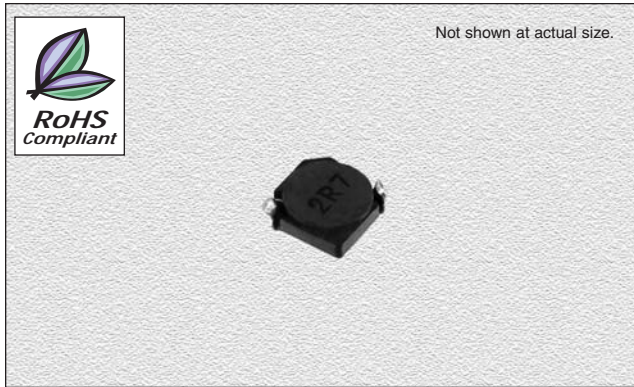
CTCDRH3D11F Series

From 2.7 μH to 39 μH

SPECIFICATIONS

Parts are available in $\pm 30\%$ inductance tolerance only.

Part Number	Inductance (μH)	L Test Freq. (kHz)	DCR (m Ω)	Isat (A)	Irms (A)
CTCDRH3D11F-2R7N	2.7	100	78	0.53	1.82
CTCDRH3D11F-4R7N	4.7	100	123	0.40	1.38
CTCDRH3D11F-6R8N	6.8	100	180	0.34	1.05
CTCDRH3D11F-8R2N	8.2	100	204	0.32	0.93
CTCDRH3D11F-100N	10	100	240	0.28	0.90
CTCDRH3D11F-120N	12	100	276	0.25	0.81
CTCDRH3D11F-150N	15	100	372	0.23	0.68
CTCDRH3D11F-180N	18	100	468	0.21	0.58
CTCDRH3D11F-220N	22	100	540	0.19	0.53
CTCDRH3D11F-270N	27	100	726	0.17	0.46
CTCDRH3D11F-330N	33	100	822	0.15	0.41
CTCDRH3D11F-390N	39	100	942	0.14	0.40



CHARACTERISTICS

Description: SMD (shielded) power inductor

Applications: Mobile phone, PDA, MP3, DSC/DVC, portable DVD, as a DC-DC converter inductor, etc.

Operating Temperature: -25°C to $+85^{\circ}\text{C}$

Isat: The DC current at which the inductance decreases to 65% of its nominal value.

Irms: The DC current at which the temperature is $\Delta t=40^{\circ}\text{C}$ typ. at 25°C .

Inductance Tolerance: $\pm 30\%$

Testing: Inductance is tested on a HP4285A at 100 kHz.

Packaging: Tape & Reel

Marking: Parts are marked with inductance code

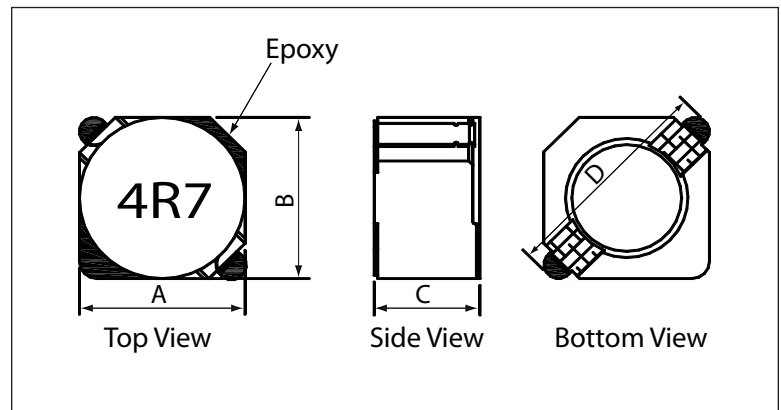
Miscellaneous: RoHS Compliant

Additional Information: Additional electrical & physical information available upon request

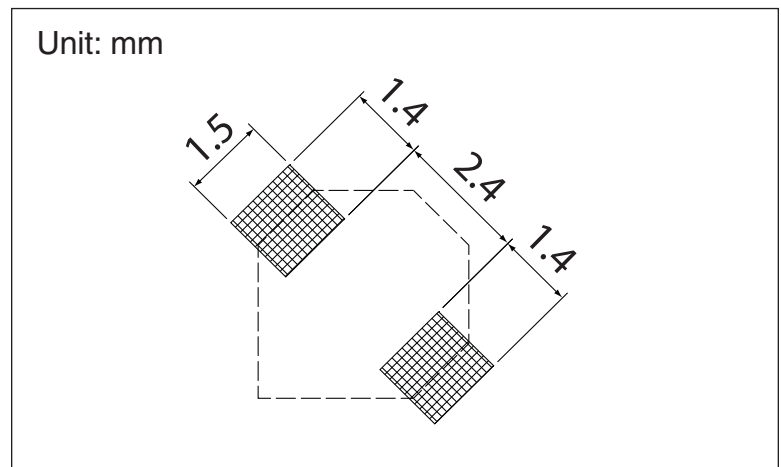
Samples available. See website for ordering information.

PHYSICAL DIMENSIONS

Size	A Max.	B Max.	C Max.	D Max.
mm	4.2	4.2	1.3	5.5
inches	0.16	0.16	0.05	0.22



PAD LAYOUT



09.09.09