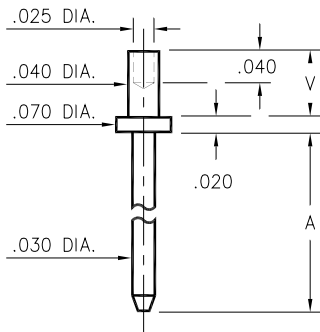


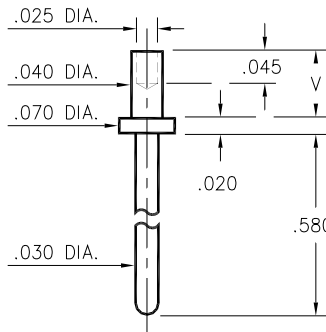
### 3110/3111



Basic Part Number	Board Thickness	Length A	Length V
3110-1	.031	.150	.051
3110-2	.062	.150	.082
3110-3	.094	.150	.113
3111-1	.031	.300	.051
3111-2	.062	.300	.082
3111-3	.094	.300	.113

**311X-X-00-XX-00-00-08-0**  
Swage mount in .043 hole

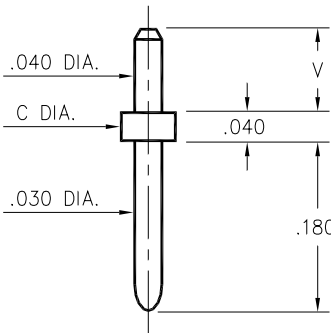
### 3150



Basic Part Number	Board Thickness	Length V
3150-1	.031	.051
3150-2	.062	.082

**3150-X-00-XX-00-00-08-0**  
Swage mount in .043 mounting hole

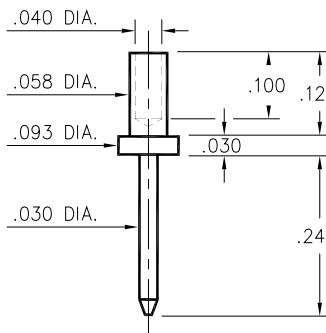
### 3136/3137



Basic Part Number	Flange Dia. C	Board Thickness	Length V
3136-1		.062	.082
3136-2	.078	.094	.110
3136-3		.125	.145
3137-1		.062	.082
3137-2	.062	.094	.110
3137-3		.125	.145
3137-4		.156	.185

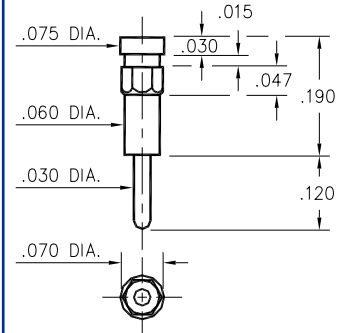
**313X-X-00-XX-00-00-08-0**  
Solder mount in .043 mounting hole

### 3148



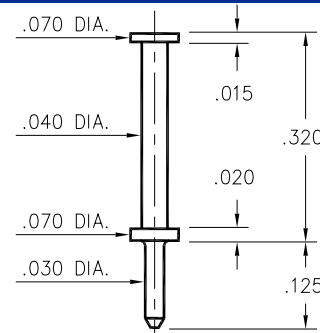
**3148-3-00-XX-00-00-08-0**  
Swage mount in .062 hole for .094 thick board

### 8815



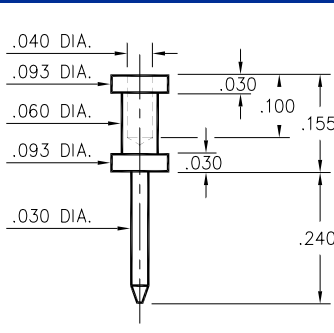
**8815-0-00-XX-00-00-03-0**  
Hex press-fit in .066 plated thru hole

### 6821



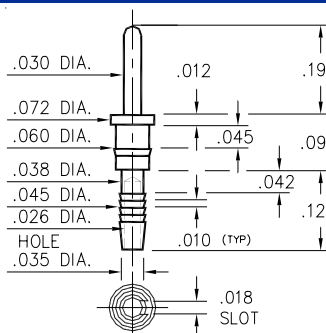
**6821-0-00-XX-00-00-08-0**  
Wire Termination

### 3132



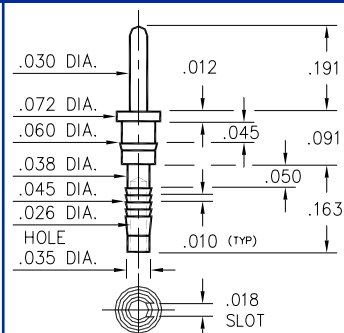
**3132-0-00-XX-00-00-08-0**  
Wire Termination  
Material is annealed

### 5601



**5601-0-01-XX-00-00-03-0**  
Compliant press-fit in .040±.003 plated hole. For .060→.100 thick board.

### 5602



**5602-0-01-XX-00-00-03-0**  
Compliant press-fit in .040±.003 plated hole. For .090→.130 thick board.

## SPECIFICATIONS

**PIN MATERIAL:**  
Brass Alloy 360, 1/2 Hard  
( Except Swage pins which are annealed )

**DIMENSION IN INCHES**  
**TOLERANCES ON:**  
LENGTHS: ±.005  
DIAMETERS: ±.002  
ANGLES: ± 2°

**ORDER CODE: XXXX - X - 0X - XX - 00 - 00 - 0X - 0**

**BASIC PART #** →

**SPECIFY PIN FINISH:**  
**01** 200µ" TIN/LEAD OVER NICKEL  
**15** 10µ" GOLD OVER NICKEL  
**21** 20µ" GOLD OVER NICKEL  
**34** 50µ" GOLD OVER NICKEL