

CATALOG LISTING
 12TW418 SERIES CHART 1
 PAGE 1 OF 1
 ISSUE 1
 RELEASE NO CO-78465 REPLACES
 CHECK
 REVISIONS
 CHECK
 KAG 23 JUN 94
 CHECK
 LUF 10 JUN 94
 DRAWN
 LUF 10 JUN 94

MICRO SWITCH

FREEPORT, ILLINOIS, U.S.A.
A DIVISION OF HONEYWELL

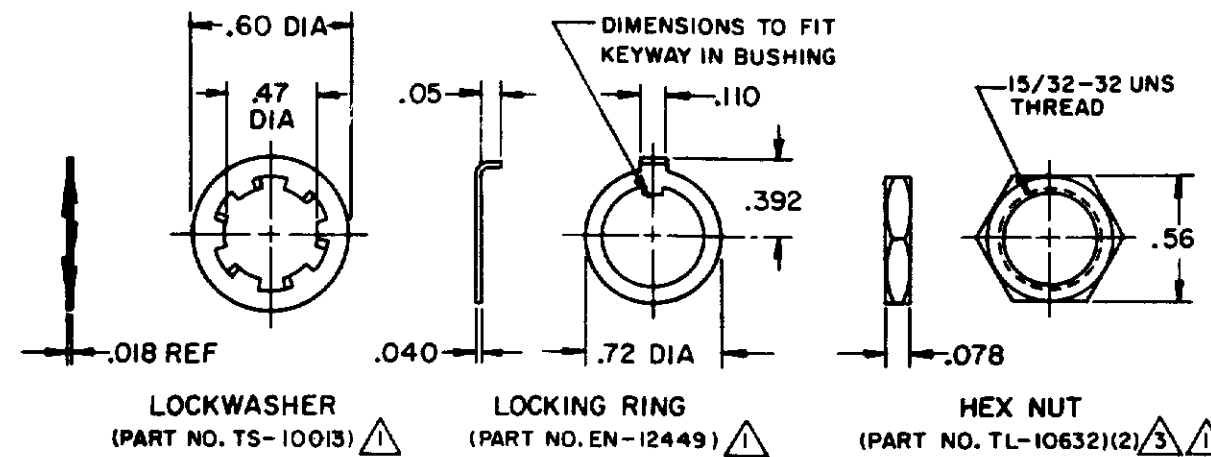
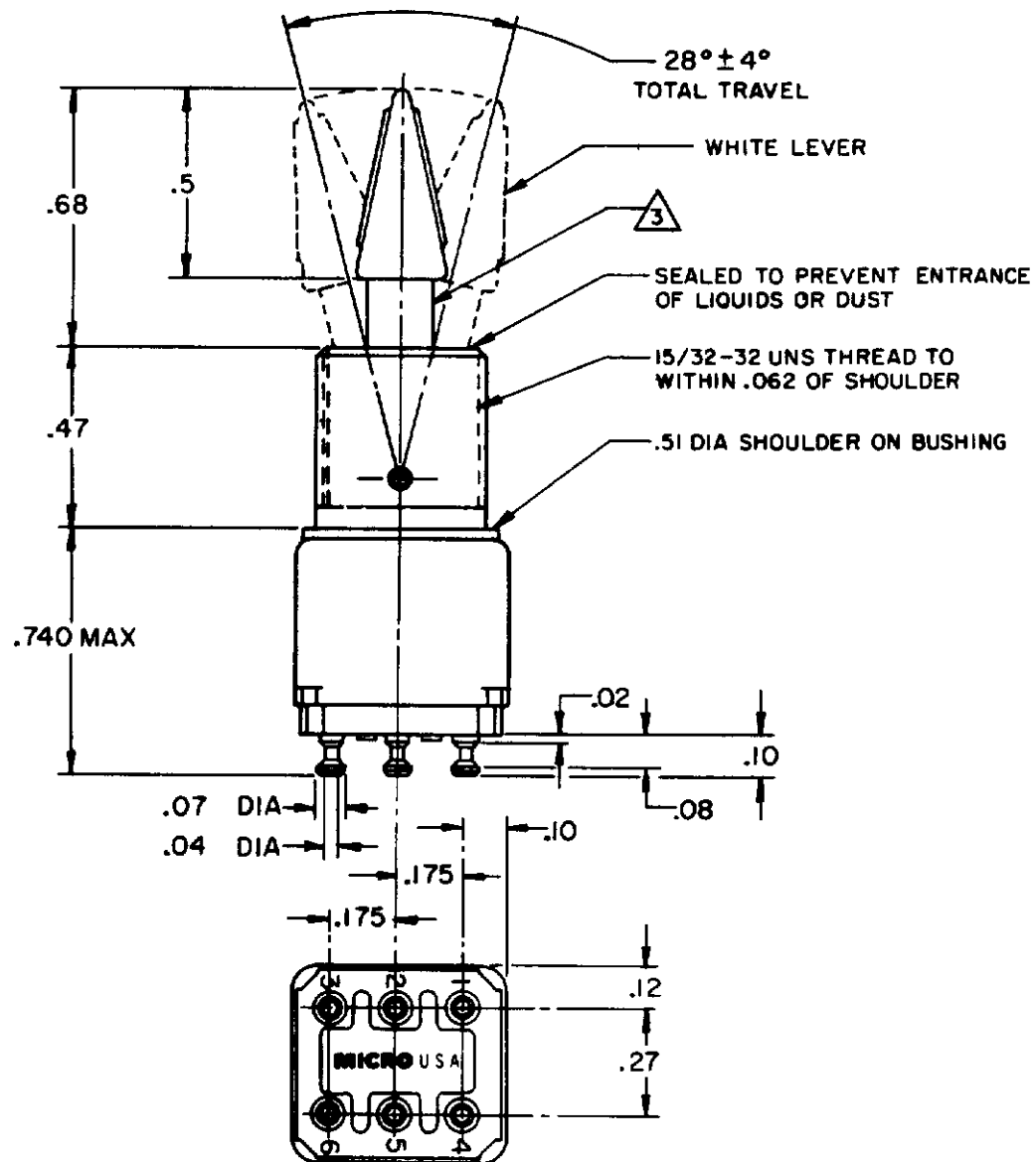
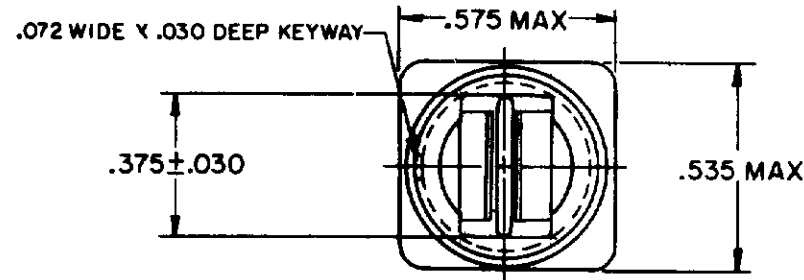
FED MFG CODE 91989

SWITCH - TOGGLE

CATALOG LISTING
12 TW418 SERIES

CHART 1

THIS DRAWING COVERS A PROPRIETARY ITEM AND IS THE PROPERTY OF MICRO SWITCH, A DIVISION OF HONEYWELL. THIS DRAWING IS NOT TO BE COPIED OR USED WITHOUT THE APPROVAL OF MICRO SWITCH.



CATALOG LISTING	ONE EXTREME POSITION (KEYWAY)		CENTER POSITION		OTHER EXTREME POSITION (OPPOSITE KEYWAY)	
	2-1	5-4	2-1	5-6	2-3	5-6
12 TW418-1	ON		OFF		ON	
12 TW418-2	OFF		NONE		ON	
12 TW418-3	ON		NONE		ON	
12 TW418-5	MOM ON		NONE		ON	
12 TW418-7	MOM ON		OFF		MOM ON	
12 TW418-8	MOM ON		NONE		ON	

CHARACTERISTICS

ELECTRICAL DATA

SCALE 2 TO 1

CONTACT ARRANGEMENT

DO NOT SCALE PRINT

-L117-

5A - 125 VAC



UNLESS OTHERWISE NOTED

DIMENSIONS ARE IN INCHES

TOLERANCES ARE

ONE PLACE : .01 : .030
 TWO PLACE : .001 : .015
 THREE PLACE : .0001 : .005
 ANGLES

WEIGHT .025 LB MAX

NOTE--

- 1 - FURNISHED UNASSEMBLED
- 2 - TERMINALS ARE PLATED FOR SOLDERING
- 3 - MATTE FINISH
- 4 - GOLD PLATED CONTACTS