

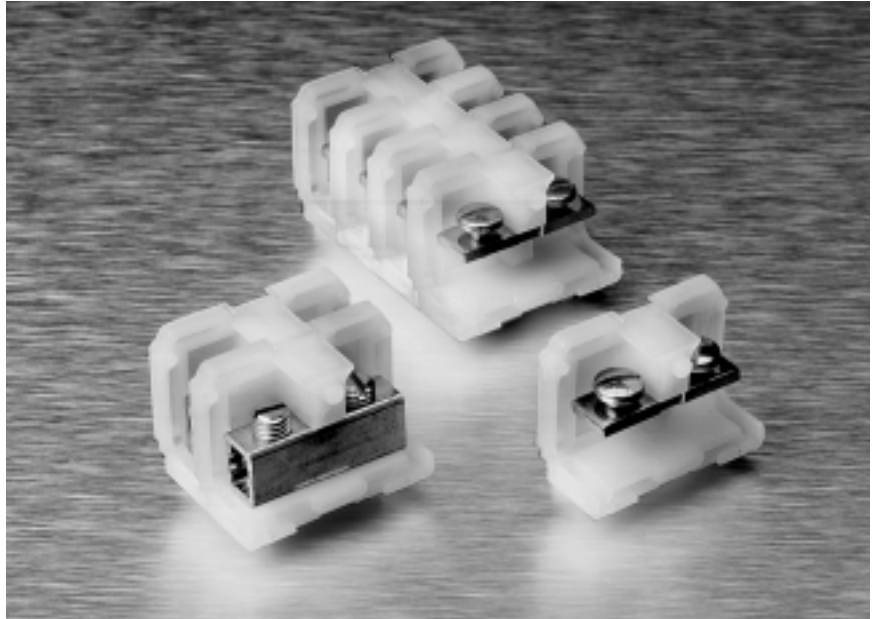
DESCRIPTION/APPLICATION

This compact, heavy duty block line accepts single or combination wires up to #4 AWG, solid or stranded. The compact design allows at least 138 circuits per six foot length to be mounted. The pitch of this 600 volt block is 0.50" (center spacing).

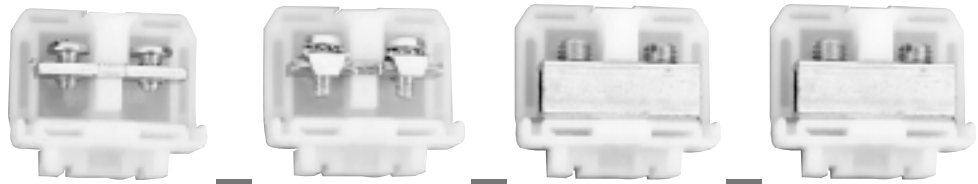
DESIGN ADVANTAGES





- Choose from 5 different contact styles.
- 600 volt UL and NEMA rating.
- Conservatively rated from 50 to 90 amperes per circuit, depending on which contact style is selected.
- Choose any of three mounting methods — two way flat base models surface mount directly to the panel or snap-on miniature channel. Dovetail base models mount on standard channel.
- Packaged for rapid handling and assembly — snap-fit sections are packed 10 per carton.
- Only one end section needed per block assembly.
- Readily identify circuits — mark directly on block sections or use removable marking strip. Pre-printed strips are also available.

200 SERIES HEAVY DUTY



200 SERIES HEAVY DUTY 600 V, 0.50" PITCH



CHARACTERISTICS	STRAP SCREW	STRAP CLAMP	TUBULAR SCREW	TUBULAR CLAMP
Type of Block	Model	Model	Model	Model
Direct Mount (Flat Base)				
Nylon, Unpainted	241	248	242	243
Polypropylene	P241	P248	P242	P243
Channel Mount (Dovetail Base)				
Nylon, Painted	0241	0248	0242	0243
Polypropylene	P0241	P0248	P0242	P0243
Contact Type				
Specifications				
Wire Range (AWG) Solid & Stranded	22-10	18-8	18-4	18-6
Wire Strip Length (in.)	—	1/2	1/2	1/2
Screw Type	10-32 slotted binding head	8-32 pan head	1/4-28 slotted headless	1/4-28 slotted headless
Ampacity	35 A	50 A	85 A	65 A
End Sections				
Direct Mount, Nylon	250	250	250	250
Direct Mount, Polypropylene	P250	P250	P250	P250
Channel Mount, Nylon	0250	0250	0250	0250
Channel Mount, Polypropylene	P0250	P0250	P0250	P0250

NOTE: Standard packaging is 40 pieces for contact and 25 pieces for end sections.

NOTES:

For factory assembled blocks, suffix catalog number with number of blocks desired. (Maximum number of flat base preassembled sections is 12).

Example: Ten tubular clamp, dovetail based sections, pre-assembled on channel = 024310

Example: Twelve polypropylene strap clamp flat base sections = P24812

For unpainted factory assembled blocks supplied with a removable marking strip add — 1 to catalog number.

For blocks with two or more different contact sections, imprinted marking strips, or special features, consult factory.

Available in special high temperature (70°C) polytherimide material. To order, suffix catalog number with letters "EHT."

Comparison (Type of Block)



Direct Mount
(Flat Base)



Channel Mount
(Dovetail Base)



LR25557 E63810



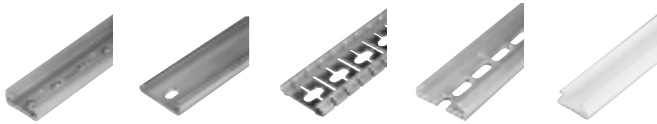
CORROSION RESISTANT STRAP SCREW CORROSION RESISTANT TUBULAR SCREW CORROSION RESISTANT TUBULAR CLAMP

Model	Model	Model
D241	D242	D243
DP241	DP242	DP243
D0241	D0242	D0243
DP0241	DP0242	DP0243
22-10	18-4	18-4
—	1/2	1/2
10-32 Nickel plated Slotted Binding Head	1/4-28 Nickel plated Slotted Headless	1/4-28 Nickel plated Slotted Headless
35 A	85 A	65 A
250	250	250
P250	P250	P250
0250	0250	0250
P0250	P0250	P0250

NOTE: Standard packaging is 40 pieces for contact and 25 pieces for end sections.

200 SERIES HEAVY DUTY ACCESSORIES

MOUNTING CHANNEL



MINIATURE	STEEL CHANNEL	BREAK AWAY STEEL	PRE-PUNCHED ALUMINUM CHANNEL	ELEVATED ALUMINUM CHANNEL
Catalog Number				
12	60 63-BU	60-B-36	64 67	60-SO
Standard Package				
3 feet	6 feet 3 feet	3 feet	6 feet 3 feet	6 feet

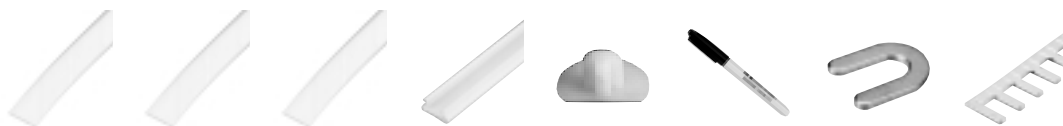
CHANNEL CLAMPS



SCREW CHANNEL CLAMPS	UNIVERSAL CLAMPS	SNAP-IN CLAMPS	MINIATURE FOR #12 CHANNEL	SEE-THRU COVER	GANGING ROD
Catalog Number					
61	68	62	11	23-BU	30
Standard Package					
100	100	100	100	25	2 feet

MARKING ACCESSORIES

JUMPERS



PLASTIC CLOTH TAPE	PLASTIC CLOTH TAPE	VINYL MARKING STRIPS	ELEVATED MARKING STRIP	NYLON HOLDING PLUG	MARKING PEN	JUMPER FOR TUBULAR CONTACTS	SNAP-APART FOR TUBULAR CONTACTS
Catalog Number							
56	55-BU	50-BU	52-BU	65-BU	99-BU	42-BU	75
Standard Package							
10 sheets	50 feet	25 feet	18 inches	100	12	100	12 ckt

**200 SERIES
HEAVY DUTY
SPECIFICATIONS**

VOLTAGE RATING: Blocks meet 600 volt creepage and clearance requirements of NEMA, UL and CSA for general industrial control equipment and panelboards. Withstand voltages greatly in excess of IEEE switchgear standards for 750 volts.

AMPACITY: For a single #4AWG wire the maximum amperage recommended is 85 amps.

Standard Contacts:

MATERIAL: Electrical grade copper or copper alloy conductor. Steel Screws plated to resist corrosion in most industrial applications

AL-CU TUBULAR SCREW: Aluminum compatibility with aluminum or copper conductors. AL-CU is tinplated brass.

Environmental Contacts

(for highly corrosive atmospheres)

TUBULAR SCREW: Electrical grade copper tube with nickel plating. Nickel plated brass screws.

STRAP SCREW: Nickel plated brass straps and screws. Nickel plating exceeds specification QQ-N-290 Class I, Type VII.

Nylon Housing:

MATERIAL: Nylon; Unfilled Type 6/6

MAX. CONTINUOUS TEMPERATURE: 125°C (257°F)

BREAKDOWN VOLTAGE (AC, 60 Hz):

Contact to Contact: 7000V

Contact to Ground: 7800V

DIELECTRIC STRENGTH (RH40% AT SEA LEVEL):

470-385 Volts/mil thickness Per ASTM D149

UL HIGH VOLTAGE ARC TRACKING (INCHES/MIN.):

.01-.35

WATER ABSORPTION (24 HRS. % WT. GAIN): 1.5%

FLAMMABILITY: UL94V-2

CHEMICAL RESISTANCE: Resistant to aromatic hydrocarbons, strong alkalis Per ASTM D543

RADIATION RESISTANCE (ERGS G-1 (C)): 8 x 10⁷

COLOR: Translucent White

Polypropylene Housing:

MATERIAL: Polypropylene; Filled self-extinguishing

MAX. CONTINUOUS TEMPERATURE: 105°C (221°F)

BREAKDOWN VOLTAGE (AC, 60Hz):

Contact to Ground: 7800V

Contact to Contact: 7000V

DIELECTRIC STRENGTH (RH40% AT SEA LEVEL):

500 Volts/mil thickness Per ASTM D149

UL HIGH VOLTAGE ARC TRACKING (INCHES/MIN.):

Did not Track

WATER ABSORPTION (24 HRS. % WT. GAIN): 0.02%

Per ASTM D570

FLAMMABILITY: UL94V-0

CHEMICAL RESISTANCE: Resistant to most acids, alkalines, and saline solutions. Also resistant to higher aliphatic solvents and polar substances per ASTM D543

RADIATION RESISTANCE (ERGS G-1 (C)): No data Available

COLOR: Opaque White

**INDEPENDENT TESTING SERVICE
LISTING AND RECOGNITION**

WIRE SIZES, Solid or Stranded Tubular Screw

Tubular Screw

1 #4 AWG, 1 #6 AWG,

1 or 2 #8 AWG, 1 to 4 #10 AWG,

1 or 5 #12 AWG, 1 to 4 #14 AWG,

1 or 6 #16 AWG, 1 to 8 #18 AWG,

AL-CU Tubular Screw

1 #12 AL or CU, 1 #6 AL or CU,

1 or 2 #8 CU, 1 to 4 #10 CU,

1 or 5 #12 CU, 1 to 6 #14 CU,

1 or 6 #16 CU, 1 to 8 #18 CU,

Tubular Clamp

1 #6 AWG, 1 or 2 #8 AWG,

1 to 3 #10 AWG, 1 to 4 #12 AWG,

1 or 4 #14 AWG, 1 to 6 #16 AWG,

1 or 8 #18 AWG

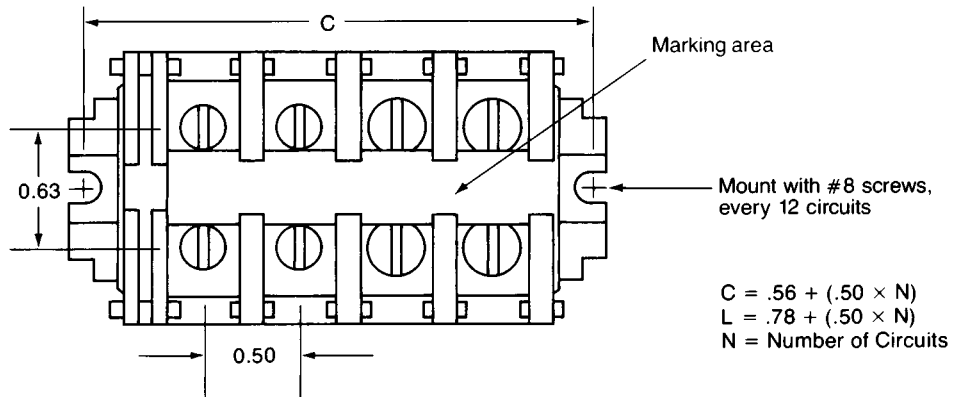
Strap Clamp

1 #18 to 1 #8 AWG



**200 SERIES
600 VOLT
DIRECT MOUNT**

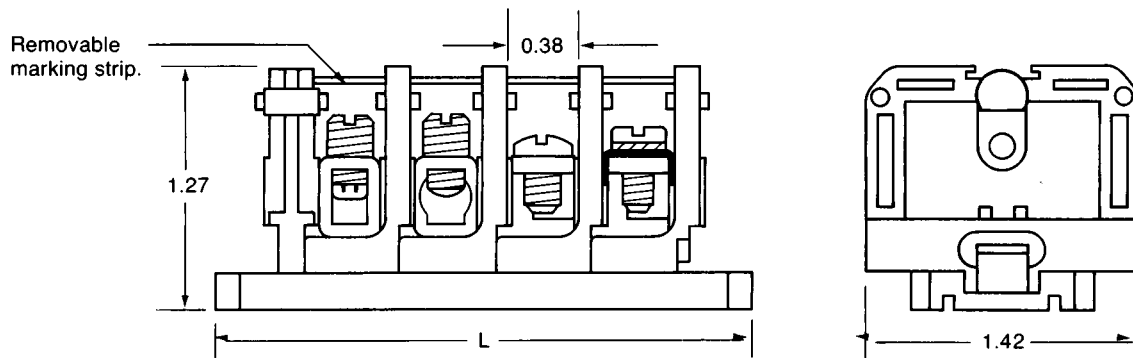
FLAT BASE



$$C = .56 + (.50 \times N)$$

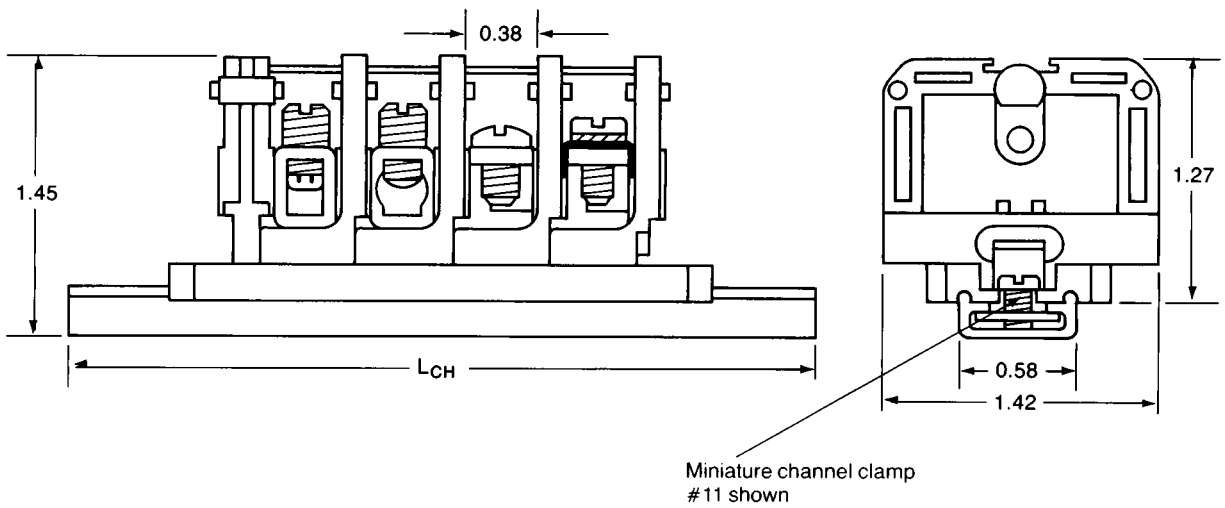
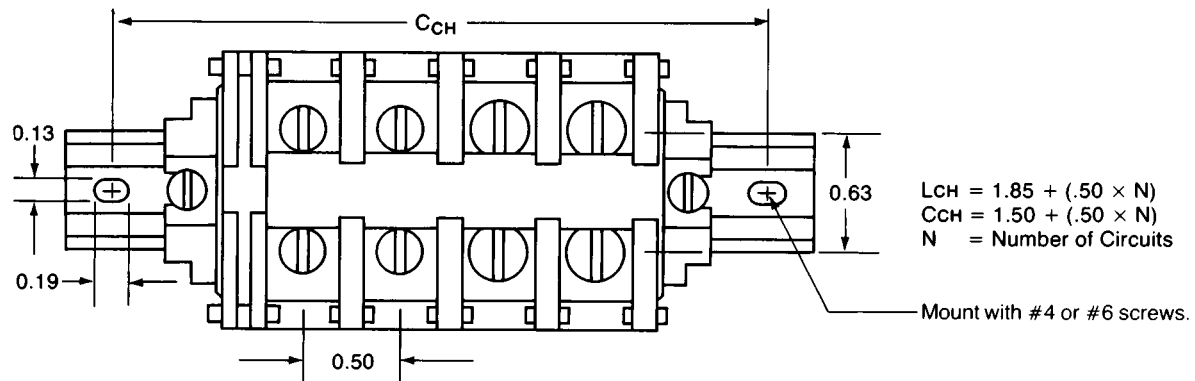
$$L = .78 + (.50 \times N)$$

N = Number of Circuits



**200 SERIES
600 VOLT
CHANNEL MOUNT**

FLAT BASE MOUNTED ON #12 MINIATURE CHANNEL



**200 SERIES
600 VOLT
CHANNEL MOUNT (STANDARD)**

DOVETAIL BASE MOUNTED ON STANDARD #60 CHANNEL

