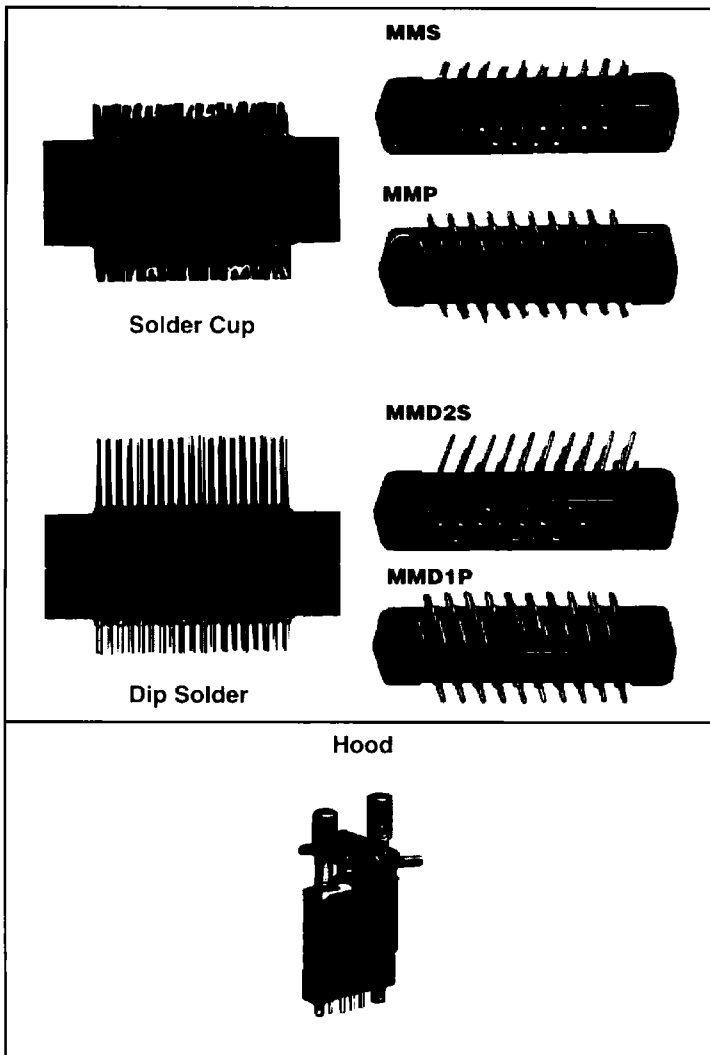


# MODELS MM22 and MM24 Rack and Panel Connectors

Military, MIL-C-28748/7/8 Qualified and Commercial  
Microminiature Rectangular with Optional Hoods



### FEATURES

- Qualified to MIL-C-28748/7/8
- Solder cup contacts
- Dip solder contacts
- Fixed and turnable screwlocks
- Optional closed entry socket contacts

### APPLICATIONS

Especially suited for use in airborne, instrumentation and portable equipment applications or wherever the following requirements must be met: Minimum space and weight without sacrifice of performance, high quality materials, long service life, high vibration and shock resistance and positive locking.

### ELECTRICAL SPECIFICATIONS

**Current Rating:** Model MM22 = 5 amps.  
Model MM24 = 3 amps.

**Breakdown Voltage:** At sea level: 2000 V RMS.  
At 70,000 feet: 500 V RMS.

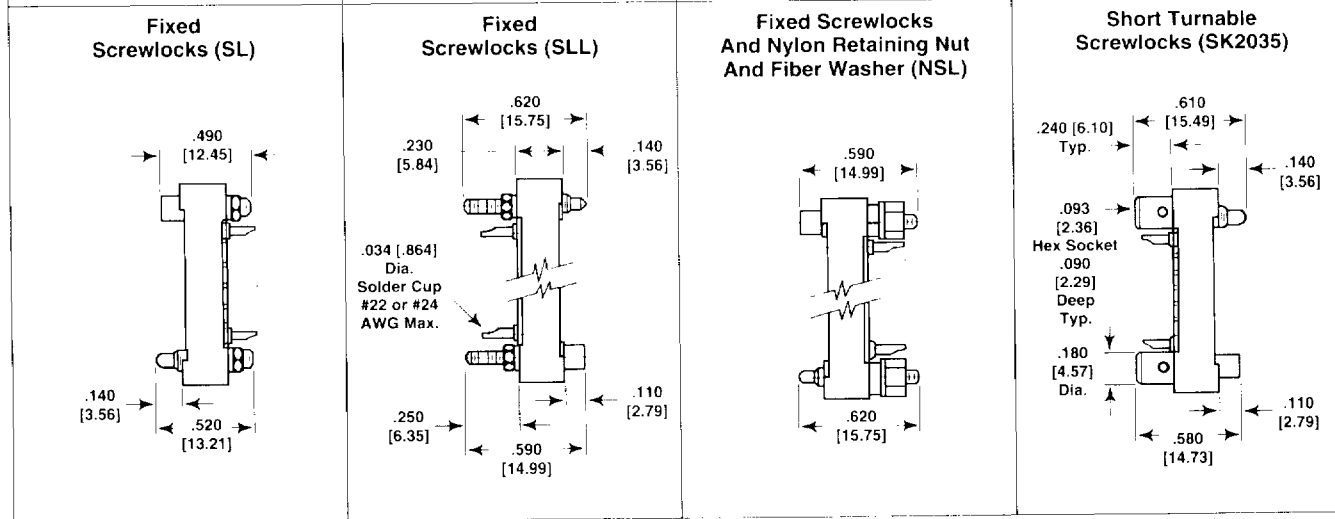
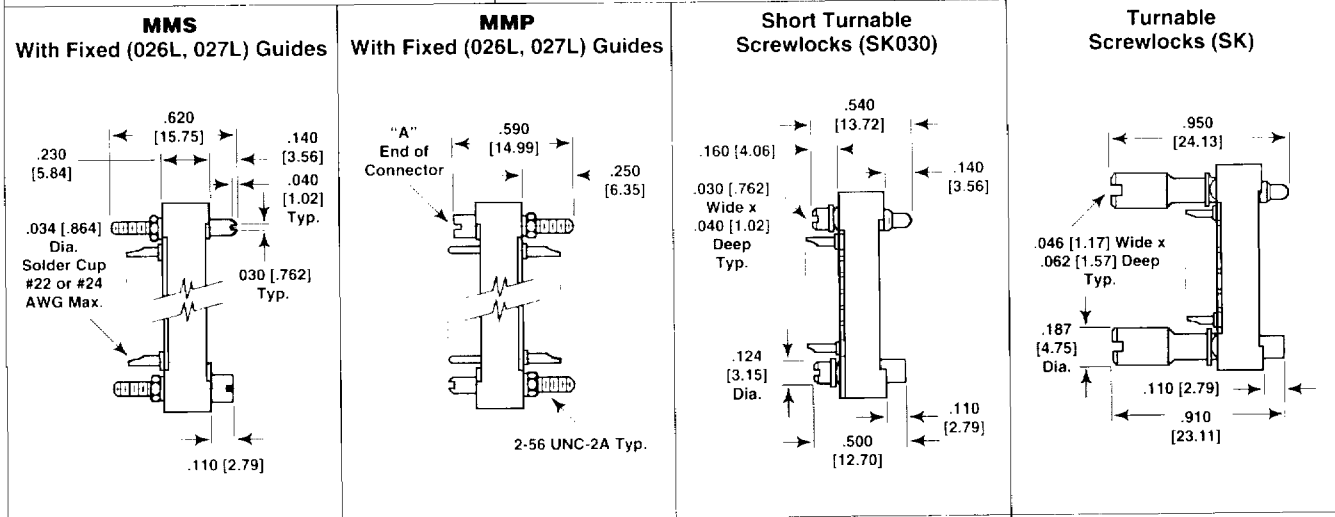
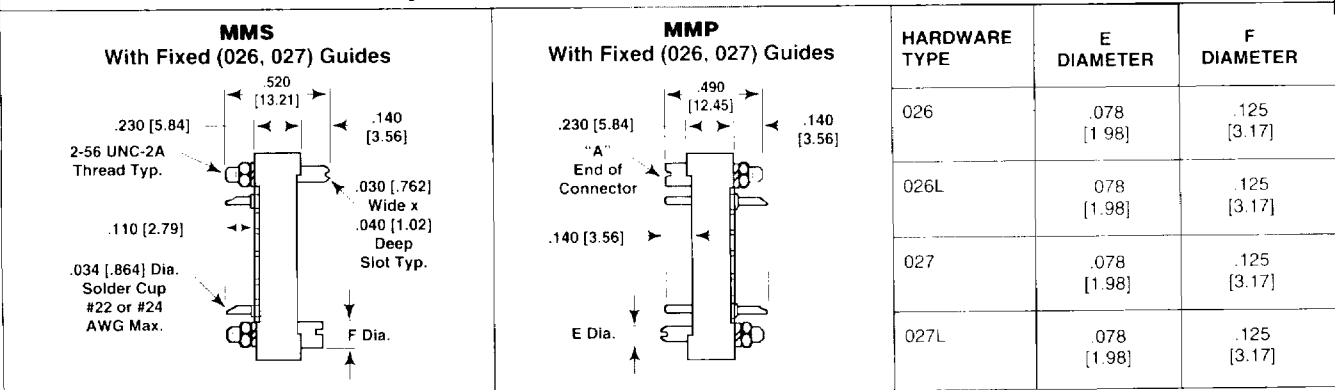
### MATERIAL SPECIFICATIONS

- Contact Pin:** Phosphor bronze.
- Contact Socket:** Phosphor bronze.  
(Beryllium copper available on request.)
- Contact Plating:** Gold.
- Screwlocks:** Stainless steel, passivated.
- Guides:** Brass, gold plated or stainless steel, passivated.
- Standard Body:** Glass-filled diallyl phthalate per MIL-M-14, Type SDG-F, green.

### DIMENSIONAL CONFIGURATIONS [Numbers in brackets indicate millimeters]

MMS With Solder Cup Contacts		MMP With Solder Cup Contacts		MMDS With Dip Solder Contacts		MMDP With Dip Solder Contacts	
CONTACT GAUGE	B DIAMETER	CONTACT GAUGE	C DIP TAIL LENGTH	CONTACT GAUGE	C DIP TAIL LENGTH	D DIAMETER	D DIAMETER
22 AWG	.030 ± .001 [.762 ± .025]	22 AWG	.160 or .350 [4.06 or 8.89] Nom.	22 AWG	.160 or .350 [4.06 or 8.89] Nom.	.025 [.635]	.025 [.635]
24 AWG	.025 ± .001 [.635 ± .025]	24 AWG	.160 or .350 [4.06 or 8.89] Nom.	24 AWG	.160 or .350 [4.06 or 8.89] Nom.	.025 [.635]	.025 [.635]

**DIMENSIONAL CONFIGURATIONS [Numbers in brackets indicate millimeters]**



**HARDWARE MATING CHART**

HARDWARE TYPE	MATES WITH HARDWARE TYPE
026	026, 026L
027	027, 027L
SK	SL, NSL or SLL
SK030	SL, NSL or SLL
SK2	SL2, NSL2 or SL2L
SK2030	SL2, NSL2 or SL2L
SK2035	SL2, NSL2 or SL2L

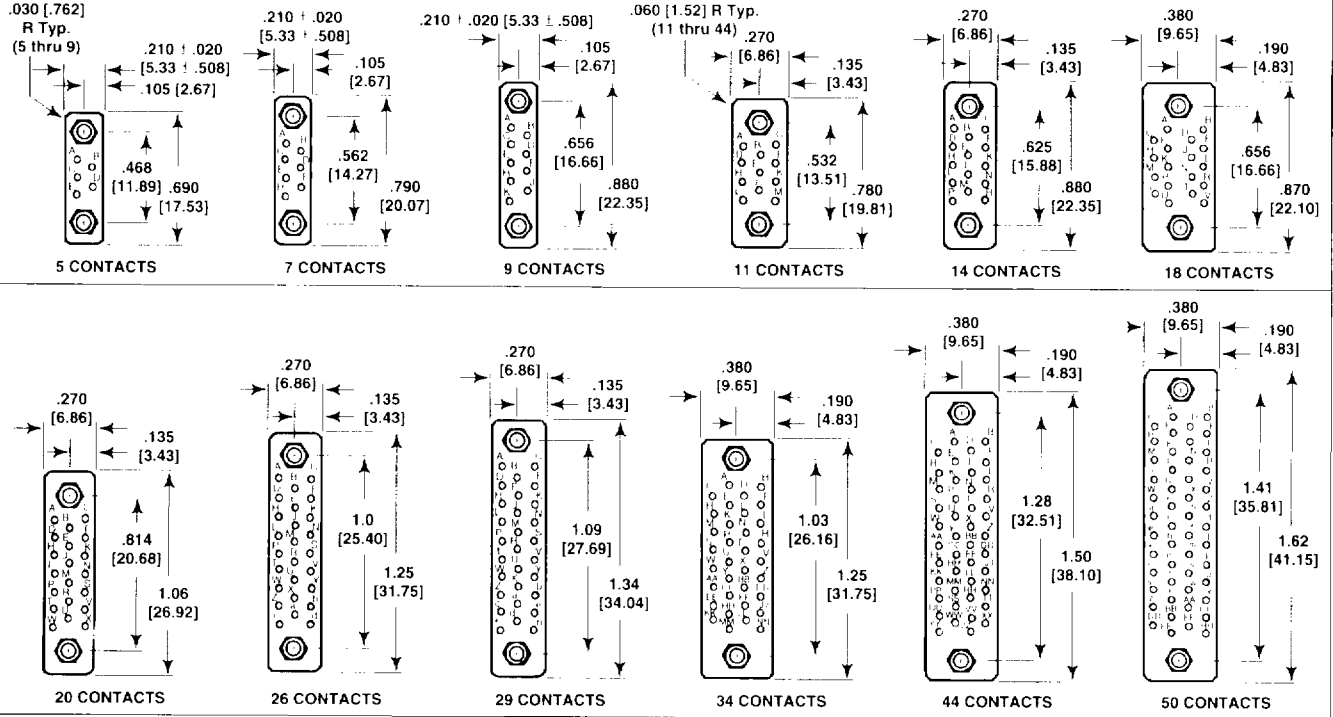
**Note:** Either MMP or MMS Connectors may be ordered with any type of hardware shown.

**EXAMPLES:**

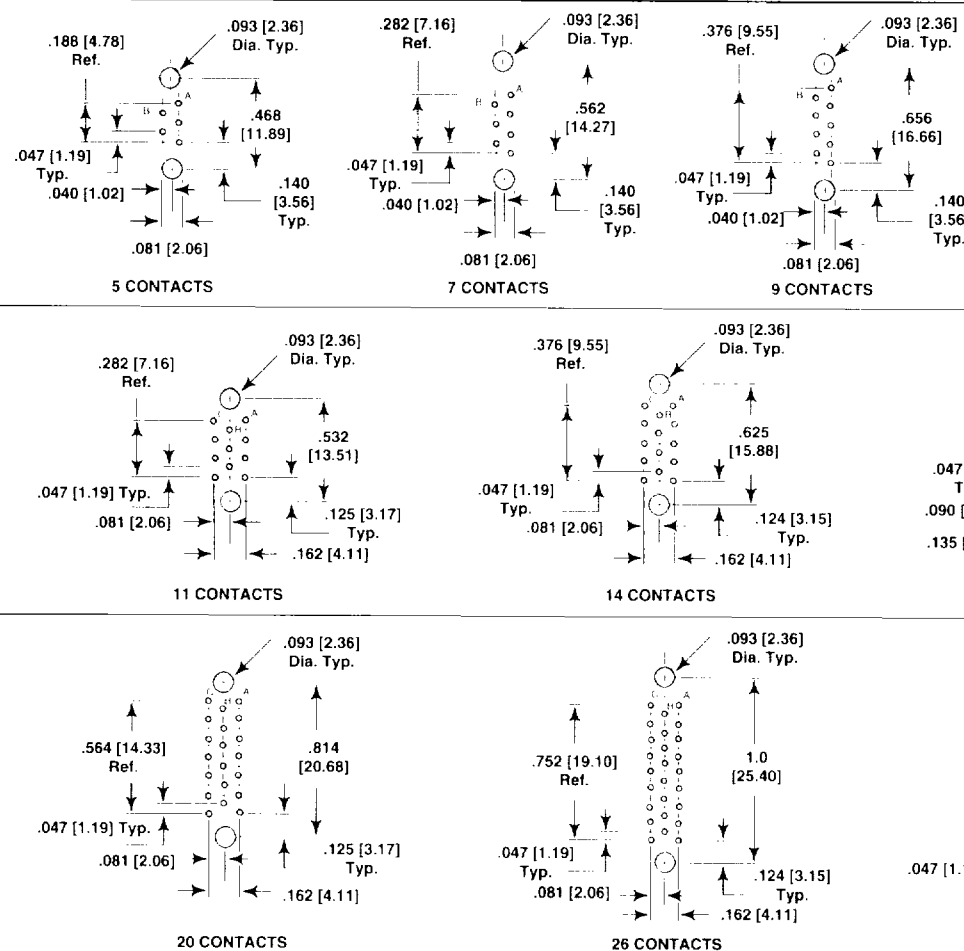
1. MMP with 026 Hardware would mate with an MMS with 026 Hardware.
2. MMS with SK Hardware would mate with an MMP with SL or NSL Hardware.
3. MMS with SL2 Hardware would mate with an MMP with SK2 or SK2030 Hardware.

**DIMENSIONAL CONFIGURATIONS [Numbers in brackets indicate millimeters]**

Note: The views below show the wiring side of a pin type connector (female is opposite) Socket hardware assembled at "A" contact end of a pin type connector.

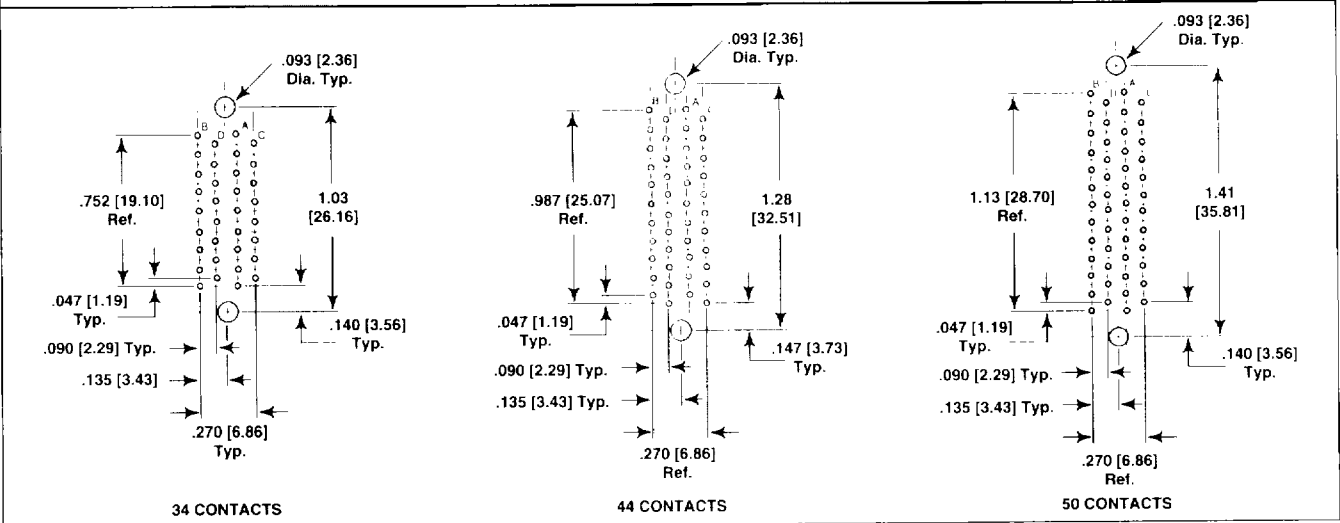


**MOUNTING VARIATIONS [Numbers in brackets indicate millimeters]**



**DIP SOLDER PC BOARD MOUNTING PATTERNS**  
 Male (MMP) Connector Shown - Female is Opposite.  
 Contact, Contact Row and Mating Hole  $\varnothing$  to  $\varnothing$  Dimensions also Applies to Solder Cup Style Connectors.

**MOUNTING VARIATIONS [Numbers in brackets indicate millimeters]**

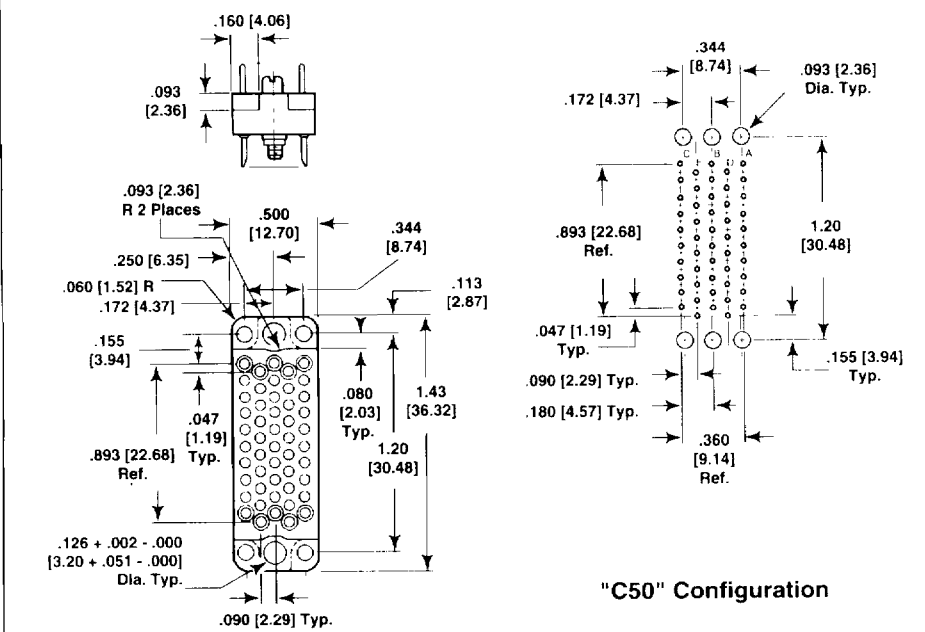


**PANEL CUTOUT [Numbers in brackets indicate millimeters]**

	NUMBER OF CONTACTS			NUMBER OF CONTACTS				
	A	B	C	A	B	C		
	5	.210 [5.33]	.468 [11.89]	.340 [8.64]	20	.270 [6.86]	.814 [20.68]	.690 [17.53]
	7	.210 [5.33]	.562 [14.27]	.440 [11.18]	26	.270 [6.86]	1.0 [25.40]	.870 [22.10]
	9	.210 [5.33]	.656 [16.66]	.530 [13.46]	29	.270 [6.86]	1.09 [27.69]	.970 [24.64]
	11	.270 [6.86]	.532 [13.51]	.410 [10.41]	34	.380 [9.65]	1.03 [26.16]	.910 [23.11]
	14	.270 [6.86]	.625 [15.88]	.500 [12.70]	44	.380 [9.65]	1.28 [32.51]	1.16 [29.46]
	18	.380 [9.65]	.656 [16.66]	.530 [13.46]	50	.380 [9.65]	1.41 [35.81]	1.28 [32.51]

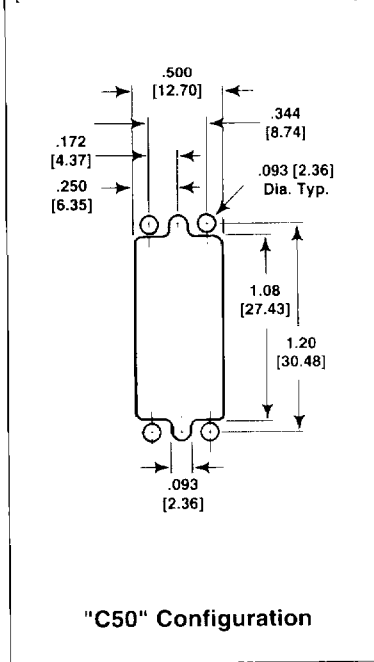
**DIMENSIONAL CONFIGURATIONS [Numbers in brackets indicate millimeters]**

Note: The views below show the wiring side of a pin type connector (Socket style is opposite). Socket hardware is assembled at "A" contact end of pin connector.



**PANEL CUTOUT**

[Numbers in brackets indicate millimeters]



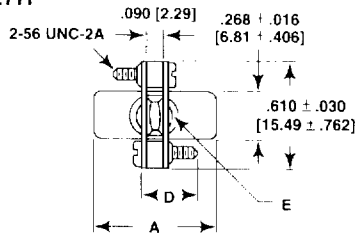
**DIP SOLDER PC BOARD MOUNTING PATTERNS**

Male (MMP) Connector Shown - Female is Opposite. Contact, Contact Row and Mating Hole  $\phi$  to  $\phi$  Dimensions also Applies to Solder Cup Style Connectors.

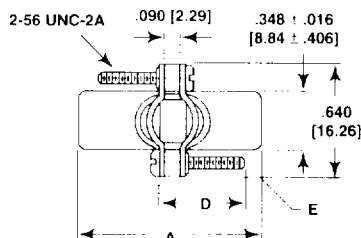
**MODELS MM22 and MM24**

**HOOD VARIATIONS [Numbers in brackets indicate millimeters]**

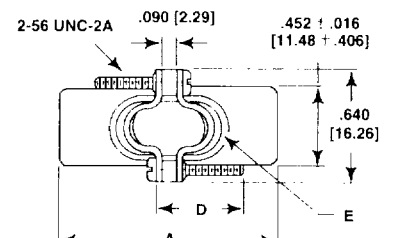
**027H**



5, 7, 9 CONTACTS

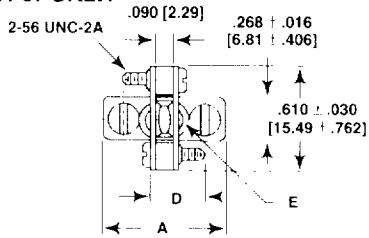


11, 14, 20, 26, 29 CONTACTS

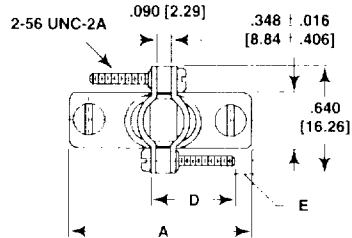


34, 44, 50 CONTACTS

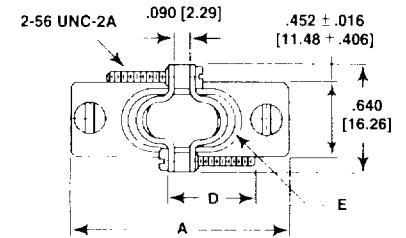
**SKH or SK2H**



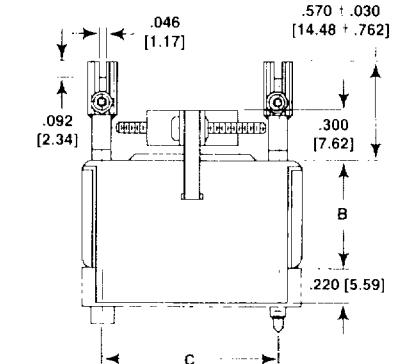
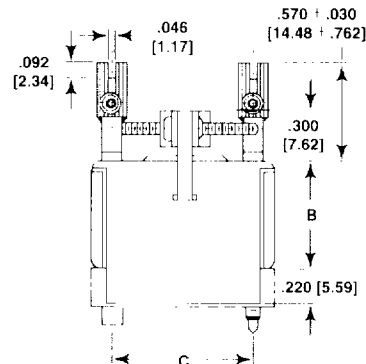
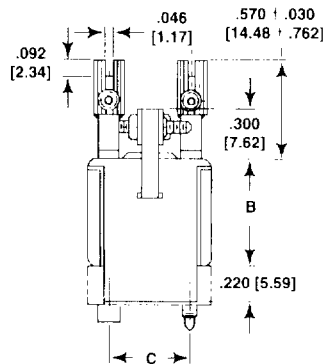
5, 7, 9 CONTACTS



11, 14, 20, 26, 29 CONTACTS

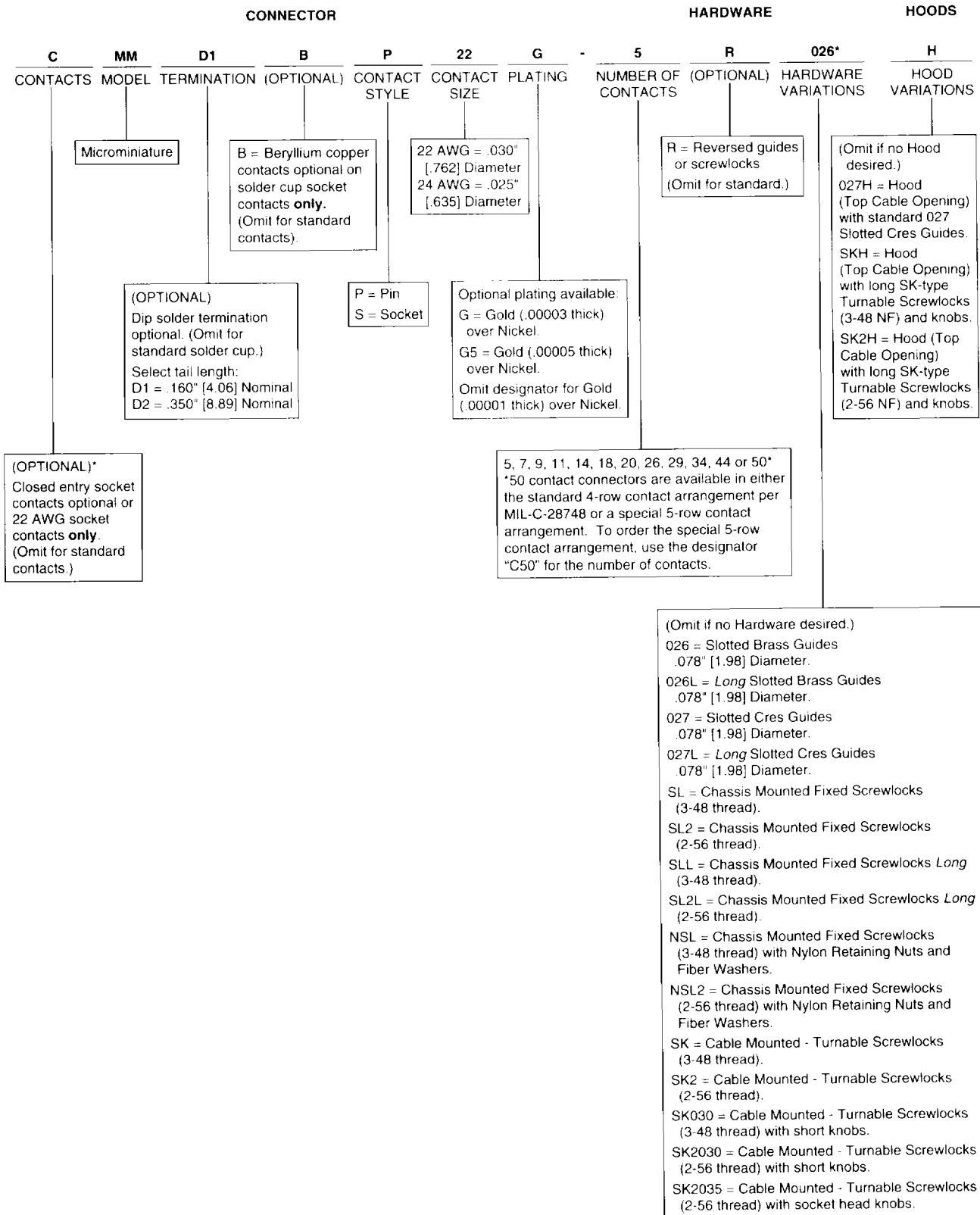


34, 44, 50 CONTACTS



NUMBER OF CONTACTS	A ± .016 [.406]	B	C	D ± .016 [.406]	"E" CABLE OPENING SQ. IN. [SQ. MM]
5	.690 [17.53]	.630 [16.0]	.468 [11.89]	.310 [7.87]	.028 [.711]
7	.780 [19.81]	.630 [16.0]	.562 [14.27]	.440 [11.18]	.037 [.940]
9	.870 [22.10]	.630 [16.0]	.656 [16.66]	.500 [12.70]	.052 [1.321]
11	.780 [19.81]	.630 [16.0]	.532 [13.51]	.440 [11.18]	.054 [1.372]
14	.870 [22.10]	.630 [16.0]	.625 [15.88]	.500 [12.70]	.076 [1.930]
20	1.06 [26.92]	.630 [16.0]	.814 [20.68]	.620 [15.75]	.105 [2.667]
26	1.25 [31.75]	.630 [16.0]	1.0 [25.40]	.620 [15.75]	.105 [2.667]
29	1.34 [34.04]	.630 [16.0]	1.09 [27.67]	.620 [15.75]	.105 [2.667]
34	1.25 [31.75]	.630 [16.0]	1.03 [26.16]	.500 [12.70]	.160 [4.064]
44	1.50 [38.10]	1.19 [30.23]	1.28 [32.51]	.500 [12.70]	.190 [4.826]
50	1.62 [41.15]	1.19 [30.23]	1.41 [35.81]	.620 [15.75]	.202 [5.131]

**HOW TO ORDER**



\* To order complete connector with hardware supplied unassembled, add suffix "UA" on end of hardware designation.