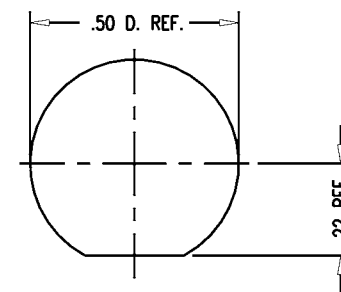
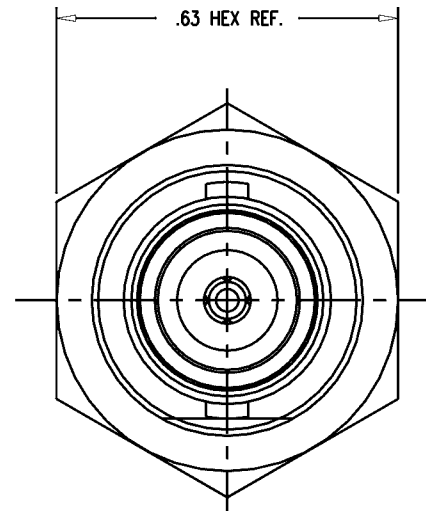
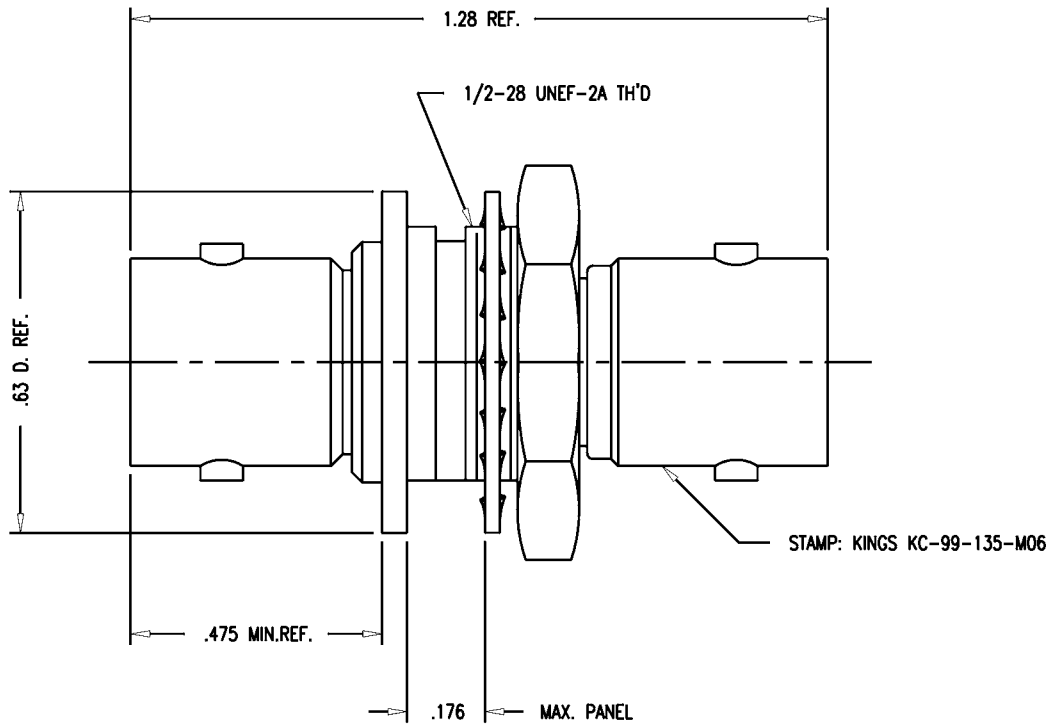


DASH NO.	M CODE	MADE FROM
----------	--------	-----------

GSD



MOUNTING HOLE

NOTES:

1. MATERIALS:
 INSULATORS-TEFLON, ASTM-B-4894
 LOCKWASHER-PHOSPHOR BRONZE, ASTM-B-103
 CENTER CONTACT-BER. COP., ASTM-B-196
 ALL OTHER METAL PARTS-BRASS, ASTM-B16
2. FINISHES:
 CENTER CONTACT-GOLD PLATE PER MIL-G-45204
 ALL OTHER METAL PARTS-KINGS TARNISH RESISTANT NICKEL FINISH (TR-5)
3. ELECTRICAL CHARACTERISTICS:
 NOMINAL IMPEDANCE-50 OHMS
 WORKING VOLTAGE-500 VRMS
 FREQUENCY RANGE-DC TO 4 GHZ

UNLESS OTHERWISE SPECIFIED

- | | | |
|---|---|--|
| 1. TOLERANCES: FRACTIONS & 2 PLACE DECIMALS ± .010
3 PLACE DECIMALS ± .004 ANGLES ± 0° 30' | 2. REMOVE ALL BURRS, BREAK SHARP EDGES .005 MAX.
3. NO FILLETS PERMITTED. | 7. ALL LEAD THREADS TO BE
CHAMFERED 45° TO ROOT DIAMETER. |
| T.J.R. CONCENTRICITY OF ANY 2 DIAMETERS MAY NOT
EXCEED HALF THE SUM OF THEIR TOLERANCES. | 4. SURFACE ROUGHNESS 63 MICRONS RMS MAX.
5. ALL DIMENSIONS PRIOR TO PLATING. | 6. ALL PLATING IN ACCORDANCE WITH KER 10004. |

KC-99-135-M06

REVISIONS

ISSUE	CHANGES
1	CN 36716 C REDRAWN KH 12/06/95
2	CN 37888 B GEH 09/02/99

SCALE 4:1

APPROX SURFACE AREA

USED ON

REF:

BNC (F-F) BULKHEAD ADAPTER
ISOLATED GROUND

DRAWN KH	DATE 06/14/90
DESIGN MJB	DATE 06/19/90
APPR.	DATE

KINGS
ELECTRONICS CO., INC.
ROCK HILL, SOUTH CAROLINA 29730

KC-99-135-M06

GSD