



Direct Rambus™ Clock Generator

General Description

The **ICS9212-13** is a High-speed clock generator providing up to 600 MHz differential clock source for direct Rambus™ memory system. It includes DDLL (Distributed Delay locked loop) and phase detection mechanism to synchronize the direct Rambus™ channel clock to an external system clock. **ICS9212-13** provides a solution for a broad range of Direct Rambus memory applications. The device works in conjunction with the ICS9250-09.

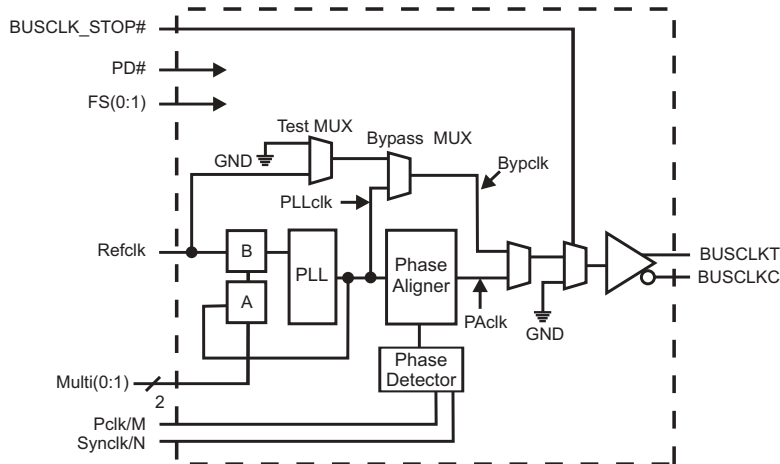
The **ICS9212-13** power management support system turns “off” the Rambus™ channel clock to minimize power consumption for mobile and other power-sensitive applications. In “clock off” mode the device remains “on” while the output is disabled, allowing fast transitions between clock-off and clock-on states. In “power down” mode it completely powers down for minimum power dissipation.

The **ICS9212-13** meets the requirements for input frequency tracking when the input frequency clock is using Spread Spectrum clocking and also the optimum bandwidth is maintained while attenuating the jitter of the reference signal.

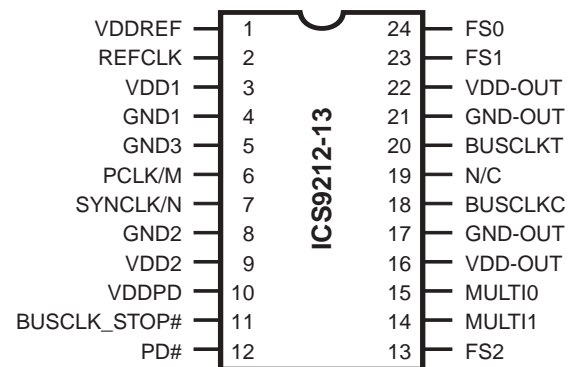
Features

- Compatible with all Direct Rambus™ based IC s
- Up to 600 MHz differential clock source for direct Rambus™ memory system
- Cycle to cycle jitter is less than 40ps
- $3.3 \pm 5\%$ supply
- Synchronization flexibility: Supports Systems that need clock domains of Rambus channel to synchronize with system or processor clock, or systems that do not require synchronization of the Rambus clock to another system clock
- Excellent power management support
- REFCLK input is from the ICS9250-09.

Block Diagram



Pin Configuration



24-Pin 150 Mil SSOP



Pin Descriptions

Pin #	Name	Type	Description
1	VDDREF	REFV	Reference voltage for refclk, to be connected to CK133
2	REFCLK	IN	Reference clock, to be connected to CK133
3	VDD1	PWR	3.3 V power supply used for PLL
4	GND1	PWR	Ground for PLL
5	GND3	PWR	Ground for control inputs
6,7	PCLK/M, SYNCLK/N	IN	Phase controller input, used to drive a phase aligner that adjusts the phase of the busclk.
8	GND2	PWR	Ground for phase aligner
9	VDD2	PWR	3.3 V power supply used for phase aligner
10	VDDPD	REFV	Reference voltage for phase detector inputs connected to the controller
11	BUSCLK_STOP#	IN	Active low output enable/disable
12	PD#	IN	3.3V CMOS active low power down, the device is powered down when the "(PD#) =0"
14,15	MULTI (0:1)	IN	3.3V CMOS PLL Multiplier select, logic for selecting the multiply ratio for the PLL from the input REFCLK
16	VDD_OUT	PWR	3.3V supply for clock out puts
17	GND_OUT	PWR	Ground for clock outputs
18	BUSCLKC	OUT	Out put clock connected to the Rambus channel. This output is the complement of BUSCLK
19	N/C	N/C	NOT USED
20	BUSCLKT	OUT	Output clock connected to the Rambus channel. This output is the true component of BUSCLK
21	GND_OUT	PWR	Ground for clock outputs
22	VDD_OUT	PWR	3.3V supply for clock out puts
13,23,24	FS(0:2)	IN	3.3V CMOS Mode control, used in selecting bypass, test, normal, and output test (OE)



PLL Divider Selection and PLL Values (PLLCLK = REFCLK*A/B)

Multo	Mult1	A	B	PLLCLK for REFCLK=50MHz	PLLCLK for REFCLK=66.66MHz
0	0	4	1	Reserved	266.6
0	1	6	1	300	400.0
1	0	16	3	266.7	355.5
1	1	8	1	400	533.3

Bypass and Test Mode Selection

Mode	FS0	FS1	FS2	Bypclk (int.)	BusClk	BusClkB
Normal	0	0	0	Gnd	PAclk	PAclkB
Bypass	1	0	0	PLLclk	PLLclk	PLLclkB
Test	1	1	0	Refclk	Refclk	RefclkB
Vendor Test A	0	0	1	-	-	-
Vendor Test B	1	0	1	-	-	-
Reserved	1	1	1	-	-	-
Output Test (OE)	0	1	X	-	Hi-Z	Hi-Z

Power Management Modes

State	PwrDnB	StopB
NORMAL	1	1
Clk Off	1	0
Powerdown	0	X



Absolute Maximum Ratings

Supply Voltage	4.0 V
Logic Inputs	GND -0.5 V to V _{DD} +0.5 V
Ambient Operating Temperature	0°C to +70°C
Storage Temperature	-65°C to +150°C

Stresses above those listed under *Absolute Maximum Ratings* may cause permanent damage to the device. These ratings are stress specifications only and functional operation of the device at these or any other conditions above those listed in the operational sections of the specifications is not implied. Exposure to absolute maximum rating conditions for extended periods may affect product reliability.

Electrical Characteristics-input/supply/Outputs

Parameters	Symbol	Min	Max	Unit
Supply Voltage	V _{DD}	3.135	3.465	V
Refclk Input cycle time	t _{CYCLE,IN}	10	40	ns
Input cycle-to-cycle Jitter	t _{J,IN}	-	250	ps
Input Duty cycle over 10k cycles	DC _{IN}	40%	60%	t _{CYCLE}
Input frequency of modulation	F _{m,IN}	30	33	kHz
Modulation index	P _{M,IN}	0.25	0.5	%
Phase detector input cycle time at PDclk/M & Syncclk/N	t _{CYCLE,PD}	30	100	ns
Initial phase error at phase detector inputs	T _{err,init}	-0.5	0.5	t _{CYCLE,PD}
Phase detector input duty cycle over 10k cycles	DC _{IN,PD}	25%	75%	t _{CYCLE,PD}
Input rise & fall times (measured at 20%-80% of input voltage) for PDCLK/M & SYNCLK/N,&REFCLK	T _{IR} , T _{IF}	-	1	ns
Input capacitance at PDCLK/M, Syncclk/N,&REFCLK	C _{IN,PD}	-	7	pF
Input Capacitance matching at PCLK/M & SYNCLK/N	DC _{IN,PD}	-	0.5	pF
Input capacitance at CMOS pins	C _{IN,CMOS}	-	10	pF
Input (CMOS) signal low voltage	V _{IL}	-	0.3	V _{dd}
Input (CMOS) signal high voltage	V _{IH}	0.7	-	V _{dd}
REFCLK input low voltage	V _{IL,R}	-	0.3	V _{ddi,R}
REFCLK input high voltage	V _{IH,R}	0.7	-	V _{ddi,R}
Input signal low voltage for PD inputs and STOP	V _{IL,PD}	-	0.3	V _{ddi,PD}
Input signal high voltage for PD inputs and STOP	V _{IH,PD}	0.7	-	V _{ddi,PD}
Input supply reference for REFCLK	V _{DD,IR}	1.3	3.465	V
Input supply reference vfor PD inputs	V _{DDI,PD}	1.3	3.465	V
Phase detector phase error for distributed loop measured at PDCLK/M & SYNCLK/N(rising)	t _{ERR,PD}	-100	100	ps
Cycle cycle time	t _{CYCLE}	2.5	3.75	ns
Cycle-to-cycle jitter at Busclk/BUSCLKB (533 MHz)	t _J	-	40	ps
Total jitter over 1 - 6 cycles (533MHz)	t _J	-	30	ps
Phase aligner, phase step size (BSCLK/BUSCLKB)	t _{STEP}	1	-	ps
PLL out put phase error when tracking SSC	t _{ERR,SSC}	-100	100	ps
Out put crossing-point voltage	V _X	1.3	1.8	V
Output voltage swing	V _{COS}	0.4	0.6	V
Output high voltage	V _H	-	2	V
Out put duty cycle over 10k cycle	DC	40%	60%	t _{CYCLE}
Output cycle -to-cycle duty cycle error	t _{DC,ERR}	-	50	ps
Output rise & fall times (measured at 20%-80% of output voltage)	t _{CR} , t _{CF}	300	500	psd
Difference between rise and fall times on a single device(20%-80%)	t _{CR,CF}	-	100	ps
Operting Supply Current	I _{DD}		150	mA



Recommended Layout

General Layout Precautions:

- 1) Use a ground plane on the top layer of the PCB in all areas not used by traces.
- 2) Make all power traces and vias as wide as possible to lower inductance.

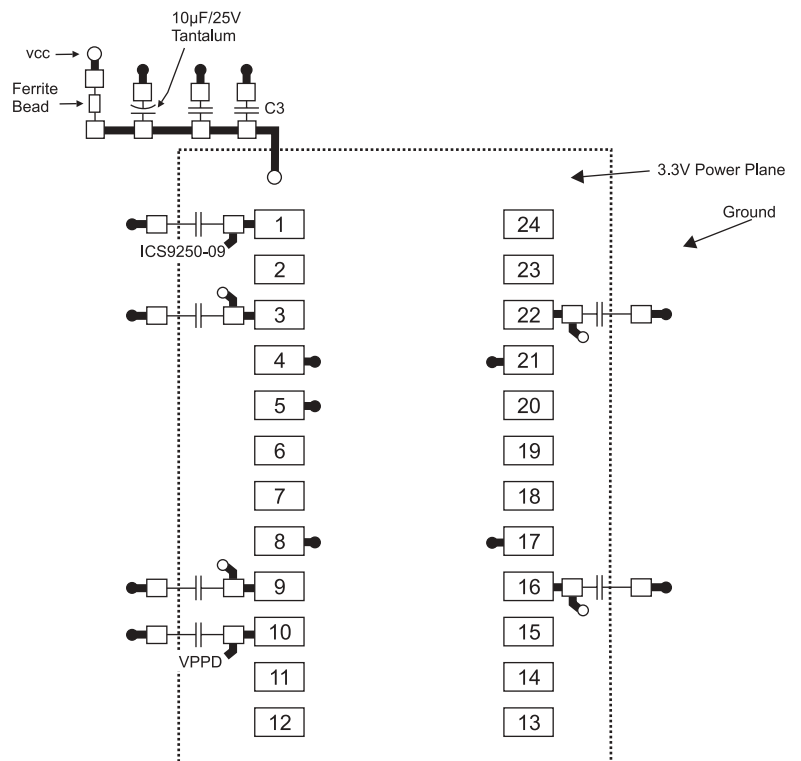
Capacitor Values:

C3 : 100pF ceramic

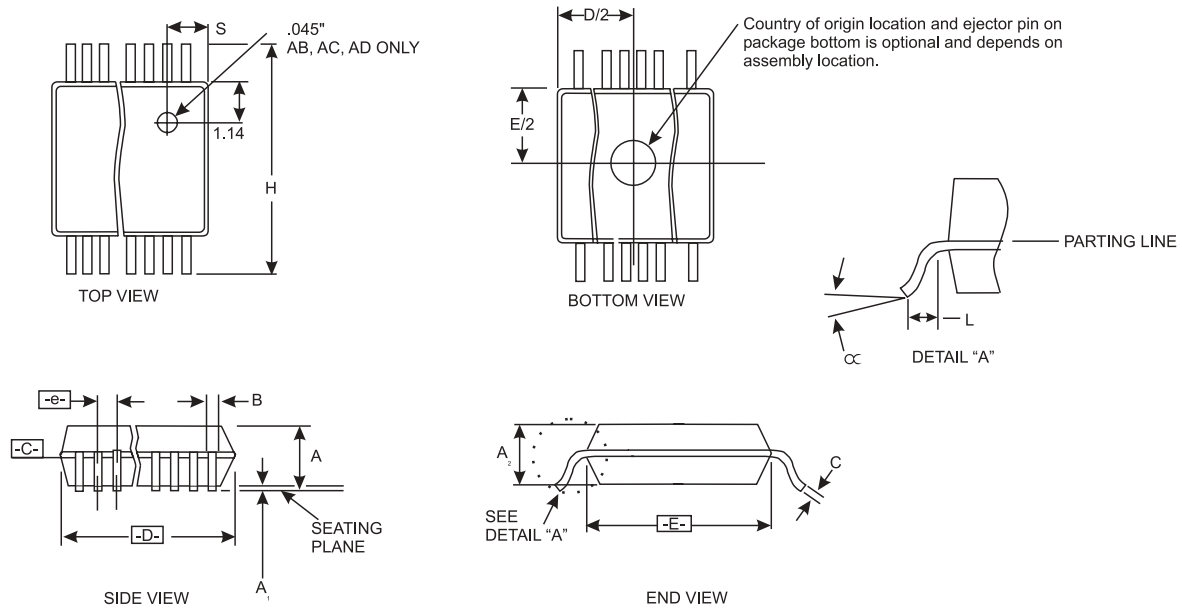
All unmarked capacitors are 0.01 μ F ceramic

Connections to VDD:

- Best
- Okay
- Avoid
- Avoid



- = Ground Plane Connection
- = Power Plane Connection
- = Solder Pads



SYMBOL	COMMON DIMENSIONS			VARIATIONS	D			S			N
	MIN.	NOM.	MAX.		MIN.	NOM.	MAX.	MIN.	NOM.	MAX.	
A	.061	.064	.068	AA	.189	.194	.196	.0020	.0045	.0076	16
A1	.004	.006	.0098	AB	.337	.342	.344	.0500	.0525	.0550	20
A2	.055	.058	.061	AC	.337	.342	.344	.0250	.0275	.0300	24
B	.008	.010	.012	AD	.386	.391	.393	.0250	.0280	.0300	28
C	.0075	.008	.0098								
D	SEE VARIATIONS										
E	.150	.155	.157								
e	.025 BSC										
H	.230	.236	.244								
L	.010	.013	.016								
N	SEE VARIATIONS										
S	SEE VARIATIONS										
α	0°	5°	8°								
X	0.85	0.93	.100								

150 mil SSOP Package

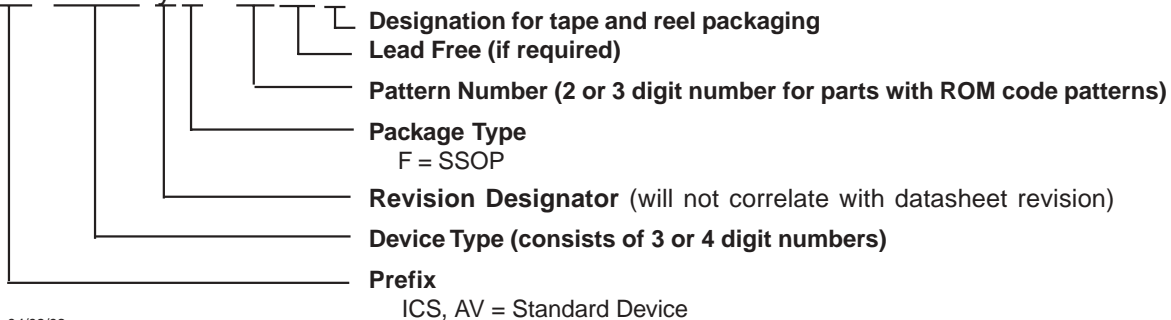
Diminisions are in inches

Ordering Information

ICS9212yF-13LF

Example:

ICS XXXX y F - PPLF T





Global Sites

Email | Print

Search Entire Site

GO

Contact IDT | Investors | Press

Home

Applications

Products

Purchasing

Getting Support

About IDT

myIDT

Document Search | Package Search | Parametric Search | Cross Reference Search | Green & RoHS | Calculators | Thermal Data | Reliability & Quality | Military

Home > Products > Timing Solutions > Clock Generation > General Purpose IC Frequency Synthesizers > Differential I/O > 9212-13

Add to myIDT [?]

You may also like...

9212-13 (Differential I/O)

Description

Direct Rambus™ Clock Generator

Market Group

PC CLOCK

Additional Info

The ICS9212-13 is a High-speed clock generator providing up to 600 MHz differential clock source for direct Rambus? memory system. It includes DDLL (Distributed Delay locked loop) and phase detection mechanism to synchronize the direct Rambus? channel clock to an external system clock. ICS9212-13 provides a solution for a broad range of Direct Rambus memory applications. The device works in conjunction with the ICS9250-09.



Related Orderable Parts

Attributes	9212AF-13	9212AF-13LF	9212AF-13LF-IN0	9212AF-13LFT	9212AF-13LFT-IN0	9212AF-13T
Voltage	3.3 V (PC24)	3.3 V (PCG24)	3.3 V (PCG24)	3.3 V (PCG24)	3.3 V (PCG24)	3.3 V (PC24)
Package	QSOP 24	QSOP 24	QSOP 24	QSOP 24	QSOP 24	QSOP 24
Speed	NA	NA	NA	NA	NA	NA
Temperature	C	C	C	C	C	C
Status	Active	Active	Active	Active	Active	Active
Sample	Yes	Yes	Yes	No	No	No
Minimum Order Quantity	165	165	165	2500	2500	2500
Factory Order Increment	55	55	55	2500	2500	2500

Related Documents

Type	Title	Size	Revision Date
Datasheet	9212-13 Datasheet	139 KB	03/23/2006

Node: www.idt.com