

DO NOT SCALE PRINT
 MTG-GS-248
 REPLACES (M) GS SERIES CHART 1
 DRAWING NUMBER CO/542
 ISSUE 2
 RELEASE NUMBER

Honeywell

GLOBAL SAFETY SWITCH

CATALOGUE LISTING CHART NO. MTG-GS-248

FIGURE 1

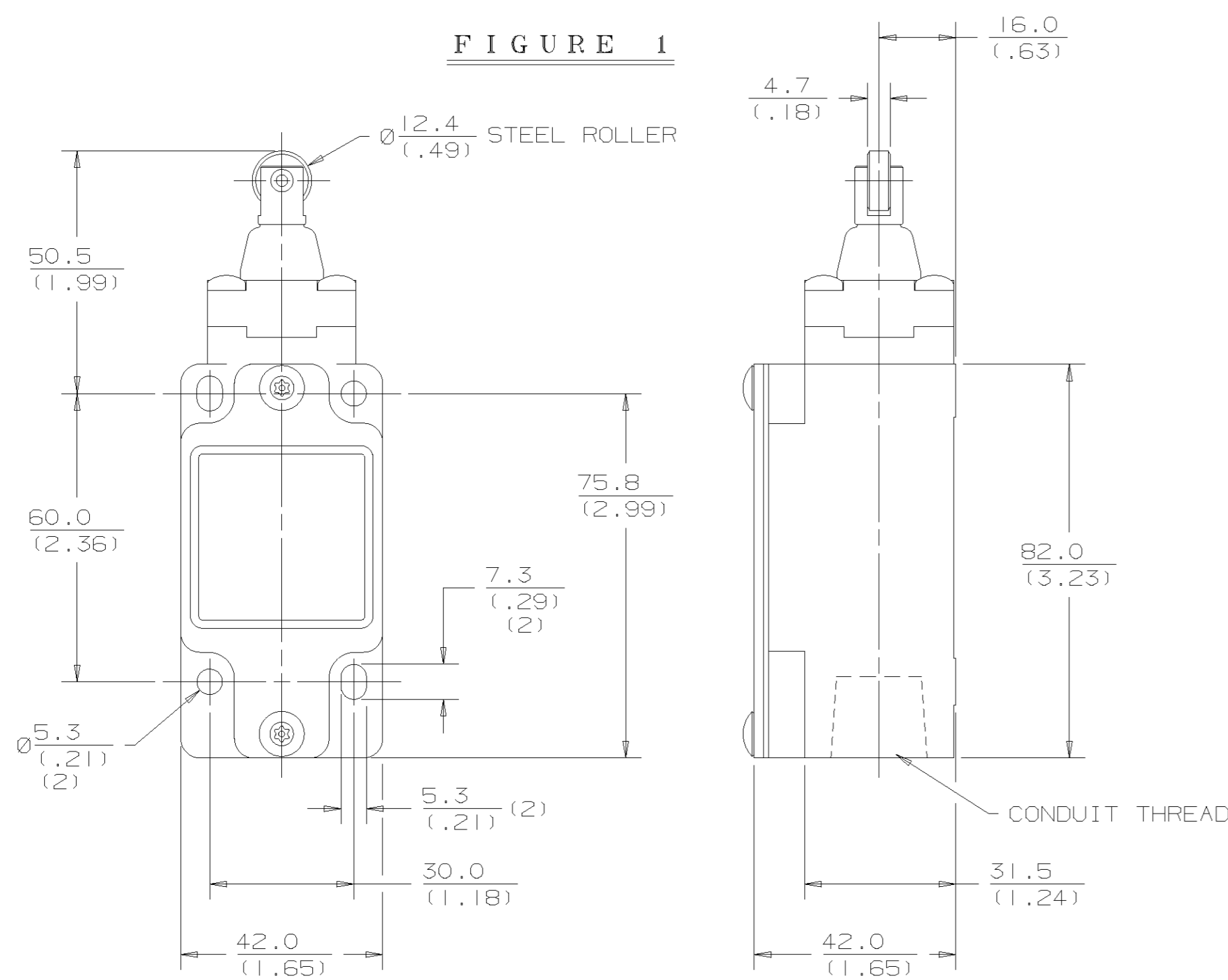
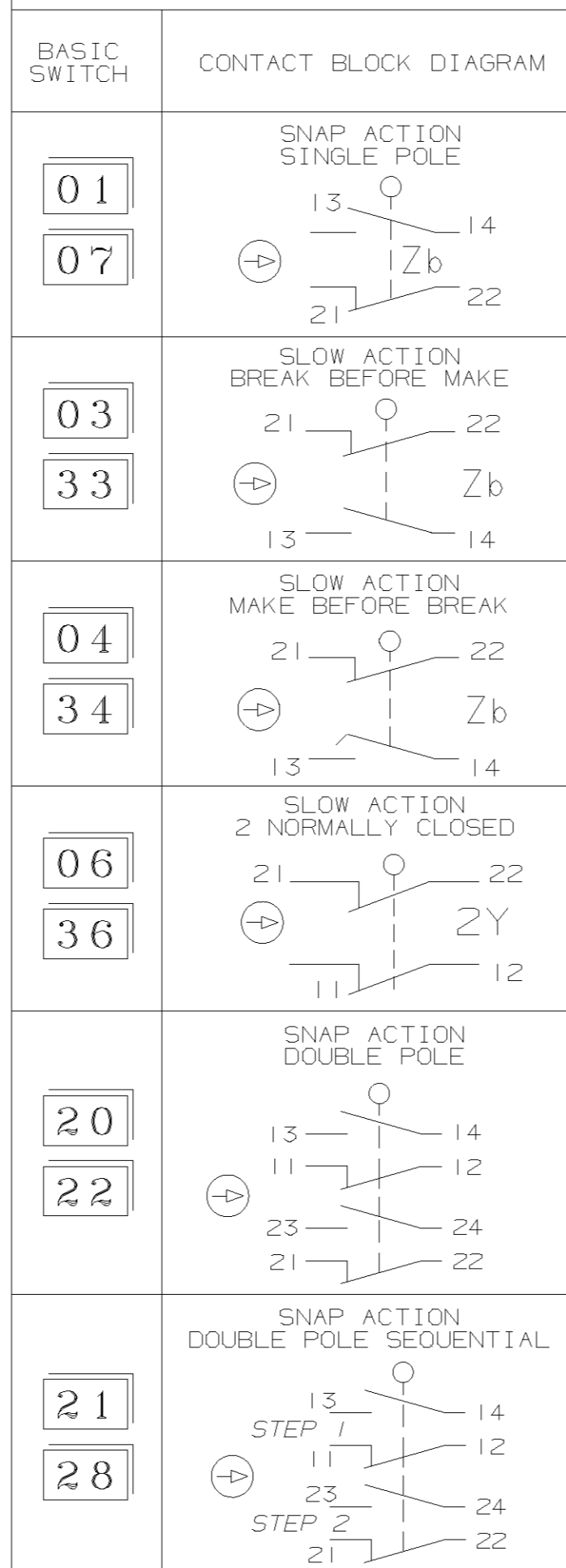
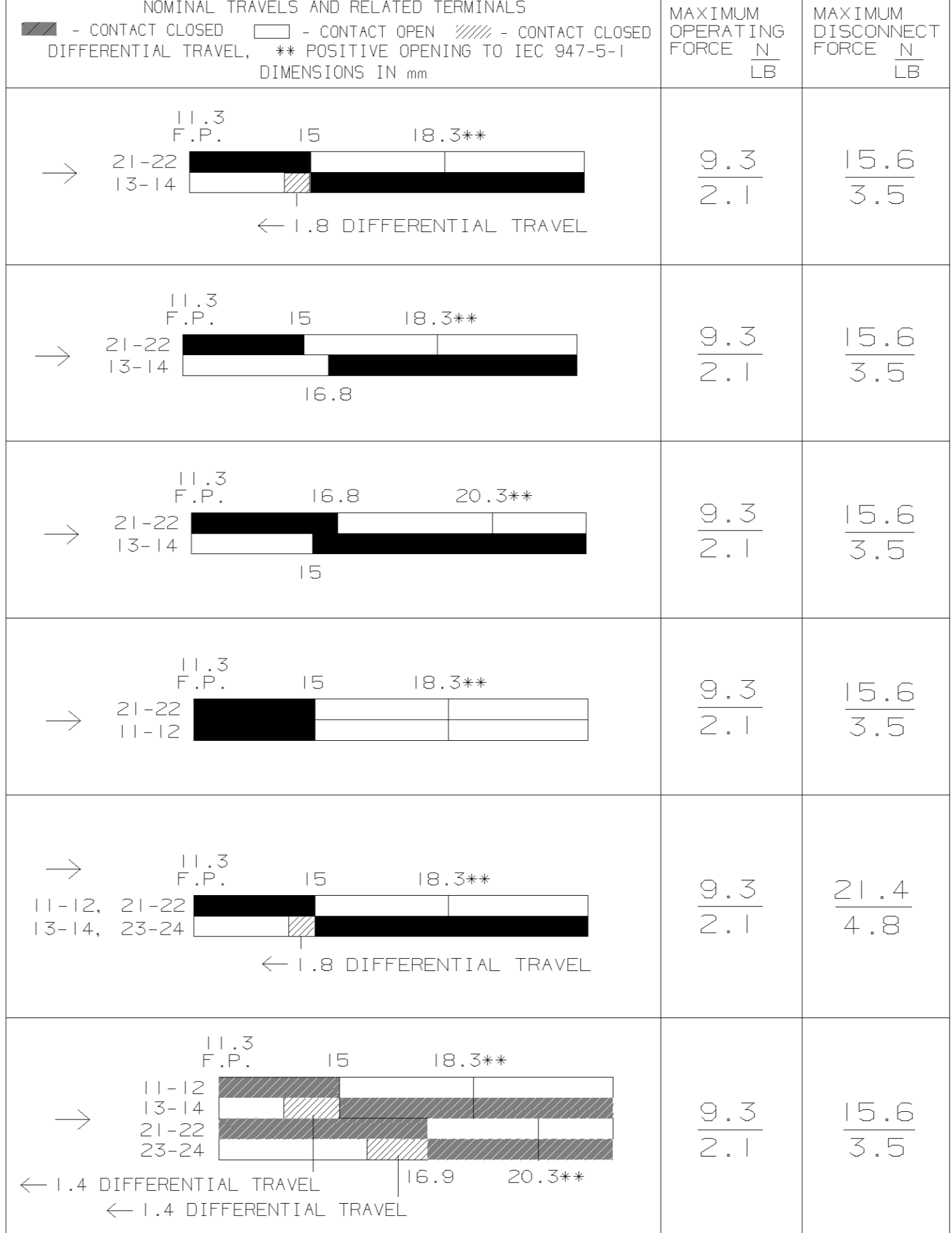


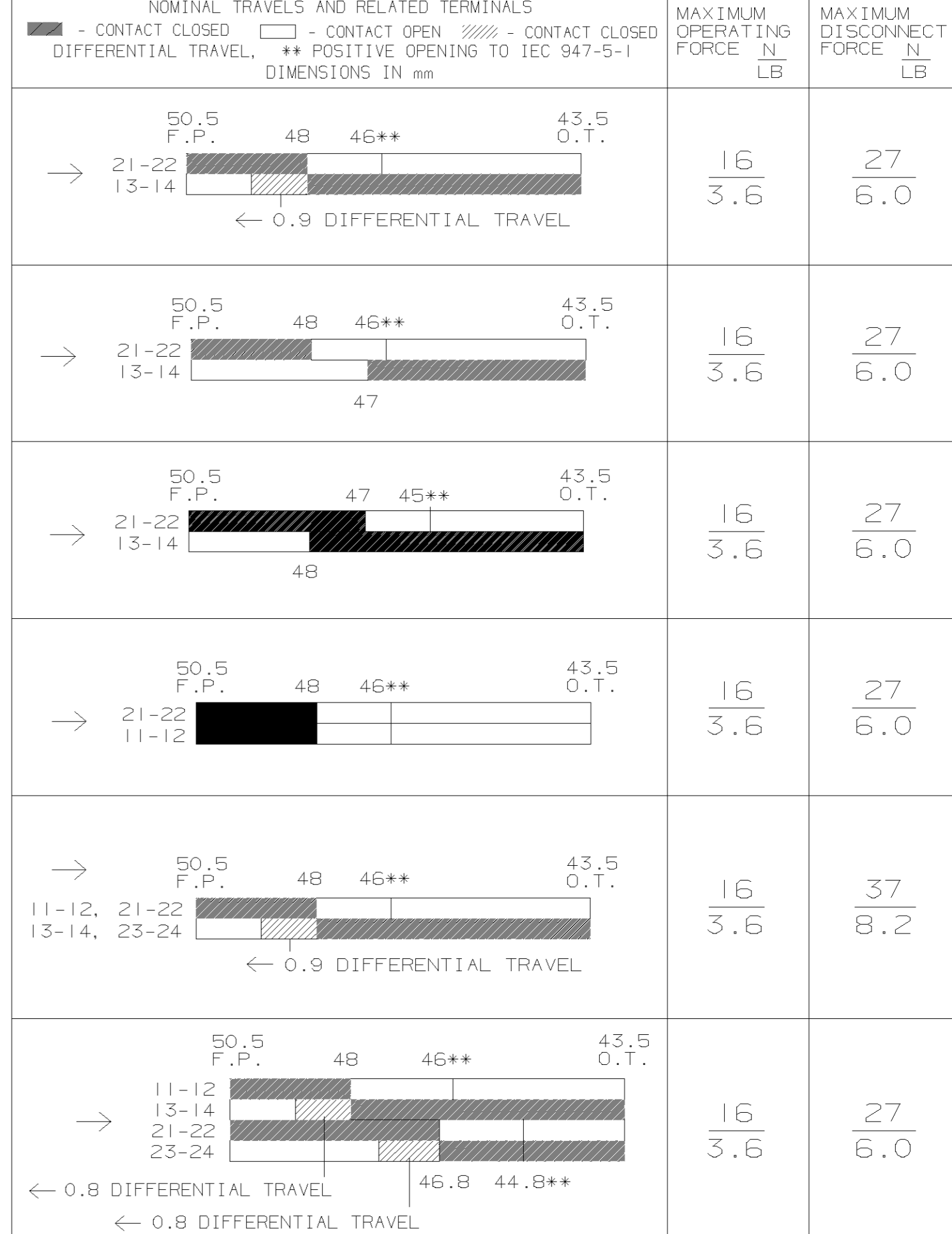
FIGURE 2



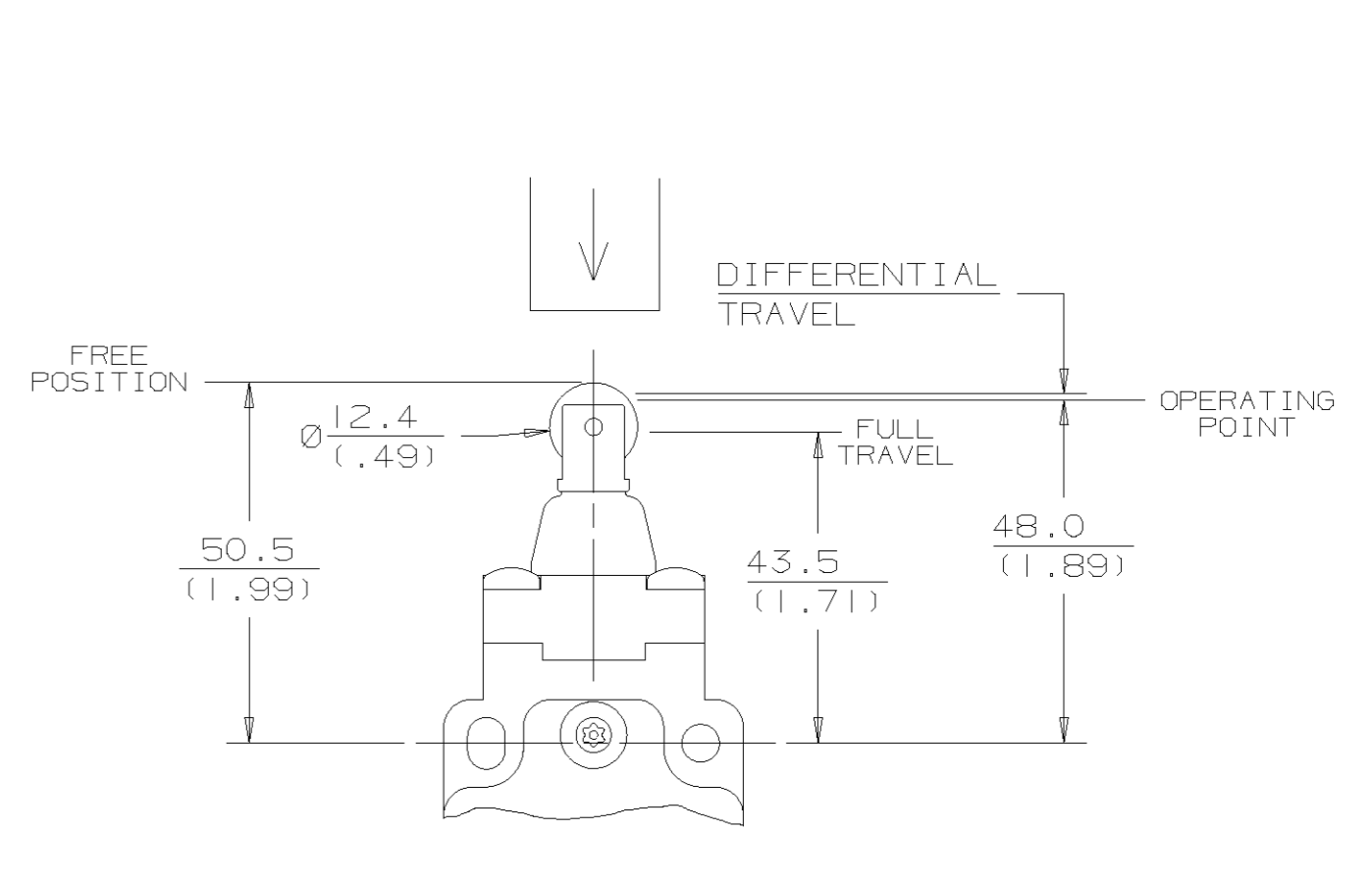
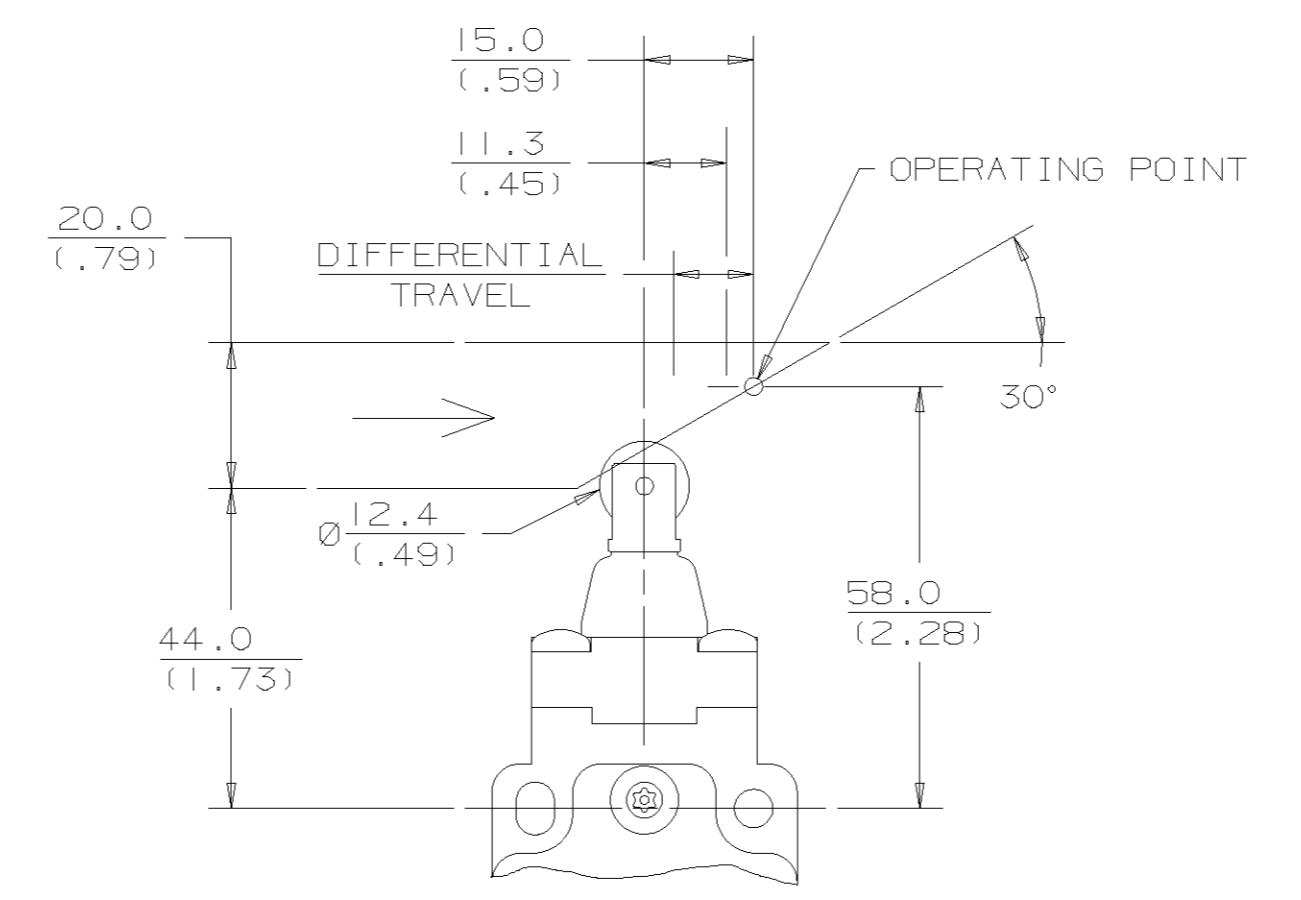
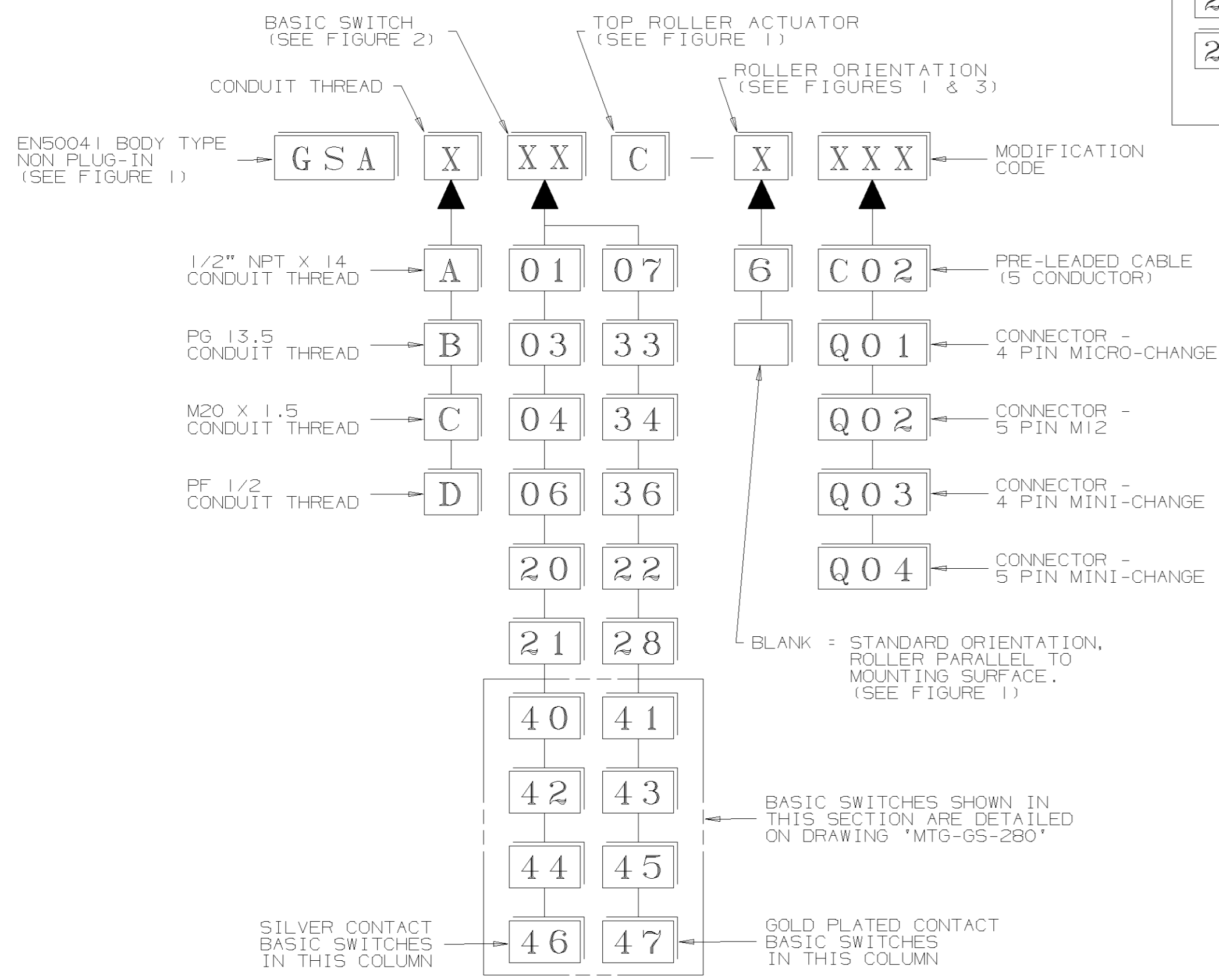
CAM ACTUATION PER EN50041



PIN ACTUATION



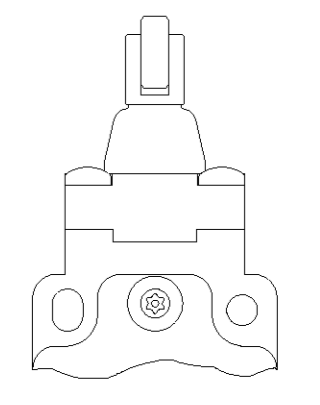
REVISIONS
 2 CO/703
 IW 11/98



MIN. OPERATING VELOCITY = 1.7mm/S (0.067in/S)
 MAX. OPERATING VELOCITY = 0.17M/S (6.7in/S)
 MAX. OPERATING FREQUENCY = 250 OPS/MINUTE

MIN. OPERATING VELOCITY = 1.0mm/S (0.04in/S)
 MAX. OPERATING VELOCITY = 0.1M/S (3.9in/S)
 MAX. OPERATING FREQUENCY = 250 OPS/MINUTE

FIGURE 3



HEAD ORIENTATION WITH ROLLER PERPENDICULAR TO MOUNTING SURFACE.

NOTES:-

- RED EPOXY PAINT FINISHED ZINC DIE-CAST BODY AND STEEL COVER. BLACK EPOXY PAINT FINISHED ZINC DIE-CAST HEAD.
- FREE POSITION (F.P.), OPERATING POINT, OVERTRAVEL (O.T.) AND PRETRAVEL ALL TO EN50041.
- ANY STANDARD LISTING WITH SUFFIX 'RS' OR 'FE' IS PERMITTED.
- FOR CONNECTION DIAGRAMS AND ADDITIONAL ELECTRICAL, DIMENSIONAL AND ENVIRONMENTAL INFORMATION REFER TO DRAWING GL-49212.
- HEAD AND COVER FIXED WITH TORX® SOCKET HEAD SCREWS (DRIVER SUPPLIED).

NO CHANGES CAN BE MADE TO THIS DRAWING WITHOUT JOINT NEWHOUSE/FREEPORT APPROVAL

IEC 947-5-1 ELECTRICAL RATING				GOLD PLATED CONTACTS		ENVIRONMENTAL		APPROVALS																																																					
SILVER CONTACTS				I _{th} = 10A		IP67 NEMA/UL 1,4,12,13		 IEC 947-5-1 EN50041																																																					
<table border="1"> <tr> <th colspan="2">AC</th> <th colspan="2">AC (FOR 2NC)</th> <th colspan="2">DC</th> </tr> <tr> <td>A600 Ue</td> <td>AC15 Ie</td> <td>A500 Ue</td> <td>AC15 Ie</td> <td>O300 Ue</td> <td>DC13 Ie</td> </tr> <tr> <td>VOLTS</td> <td>AMPS</td> <td>VOLTS</td> <td>AMPS</td> <td>VOLTS</td> <td>AMPS</td> </tr> <tr> <td>120</td> <td>6</td> <td>120</td> <td>6</td> <td>24</td> <td>2.8</td> </tr> <tr> <td>240</td> <td>3</td> <td>240</td> <td>3</td> <td>125</td> <td>0.55</td> </tr> <tr> <td>380</td> <td>1.9</td> <td>380</td> <td>1.9</td> <td>250</td> <td>0.27</td> </tr> <tr> <td>480</td> <td>1.4</td> <td>480</td> <td>1.4</td> <td></td> <td></td> </tr> <tr> <td>500</td> <td>1.4</td> <td>500</td> <td>1.4</td> <td></td> <td></td> </tr> <tr> <td>600</td> <td>1.2</td> <td></td> <td></td> <td></td> <td></td> </tr> </table>				AC		AC (FOR 2NC)				DC		A600 Ue	AC15 Ie	A500 Ue	AC15 Ie	O300 Ue	DC13 Ie	VOLTS	AMPS	VOLTS	AMPS	VOLTS	AMPS	120	6	120	6	24	2.8	240	3	240	3	125	0.55	380	1.9	380	1.9	250	0.27	480	1.4	480	1.4			500	1.4	500	1.4			600	1.2					1V 10µA MIN.	
AC		AC (FOR 2NC)		DC																																																									
A600 Ue	AC15 Ie	A500 Ue	AC15 Ie	O300 Ue	DC13 Ie																																																								
VOLTS	AMPS	VOLTS	AMPS	VOLTS	AMPS																																																								
120	6	120	6	24	2.8																																																								
240	3	240	3	125	0.55																																																								
380	1.9	380	1.9	250	0.27																																																								
480	1.4	480	1.4																																																										
500	1.4	500	1.4																																																										
600	1.2																																																												
				50V 100mA MAX.		STORAGE : -40°C TO 85°C -40°F TO 185°F																																																							
						SHOCK : 50G PER IEC 68-2-27																																																							
						VIBRATION : 10G PER IEC 68-2-6																																																							

7/98
 I. WEIR
 CHECK
 DESIGN
 AUTHOR: N

THE COPYRIGHT OF THIS DRAWING IS THE PROPERTY OF HONEYWELL LTD. THE DRAWING IS SUPPLIED IN CONFIDENCE AND MUST NOT BE USED FOR ANY PURPOSE OTHER THAN THAT FOR WHICH IT IS SUPPLIED.

THIRD ANGLE PROJECTION

SCALE:- 1/1

DIMENSIONS ARE IN (INCHES)

MM

MODIFY ON CAD SYSTEM ONLY