

MICRO SWITCH

FREPORT ILLINOIS U.S.A.
A DIVISION OF HONEYWELL

FED. MFG. CODE 91929

SWITCH-BASIC

CATALOG LISTING
4TL1-50 SERIES

CHART 1

THIS DRAWING COVERS A PROPRIETARY ITEM AND IS THE PROPERTY OF MICRO SWITCH, A DIVISION OF MINNEAPOLIS-HONEYWELL REGULATOR CO. THIS DRAWING IS NOT TO BE COPIED OR USED WITHOUT THE APPROVAL OF MICRO SWITCH.

4TL1-50 SERIES
CHART 1

M

DRAWING NUMBER

ISSUE

8

REVISIONS

A CO-81150
J A K
20 JUN 95
B CO-19441
LJK
23 NOV 99

REPLACES

PAGE 1 OF 1
RELEASE NO. PR-2097

CHECK

20 SEPT 71

CHECK

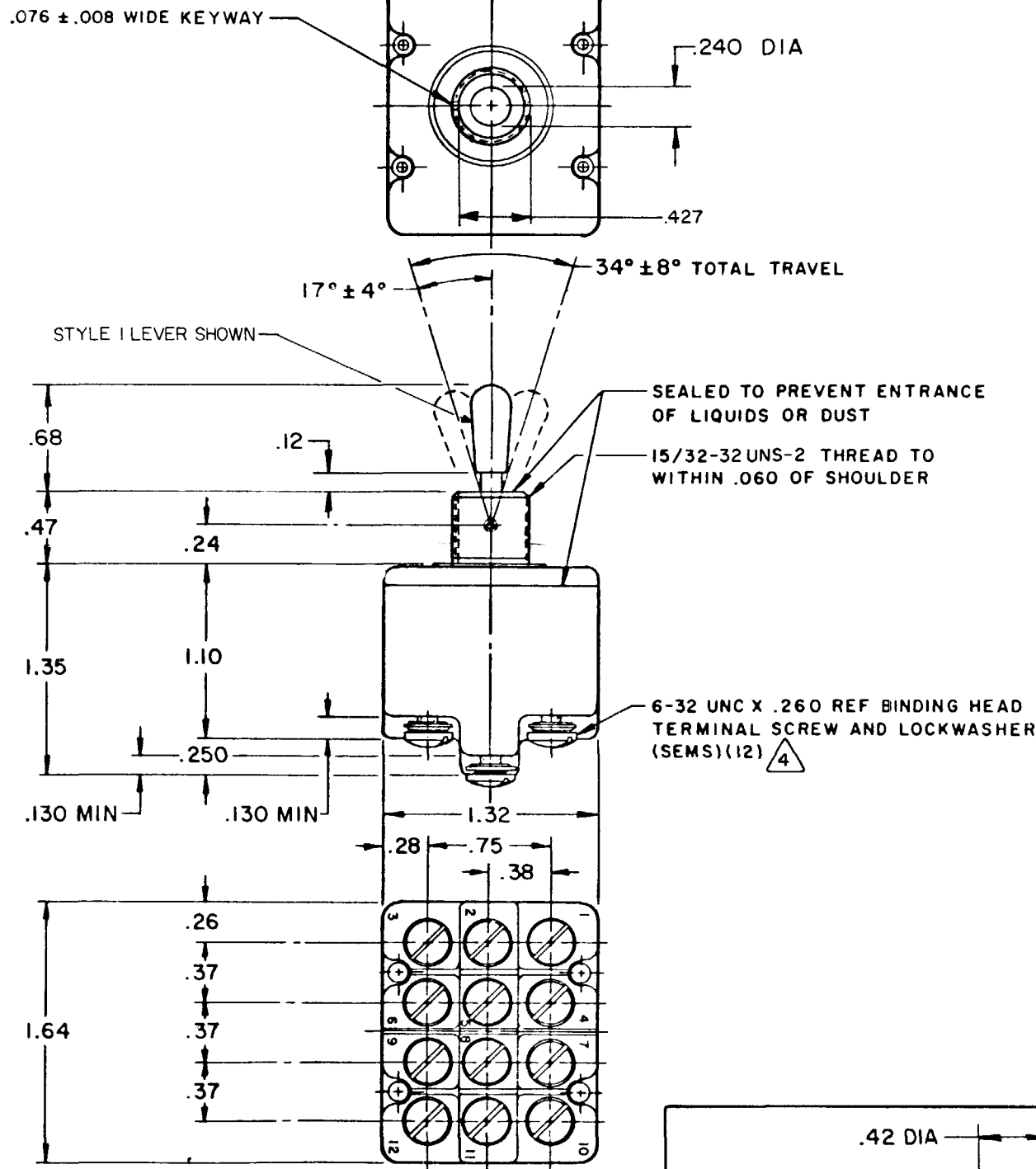
20 SEPT 71

CHECK

17 SEPT 71

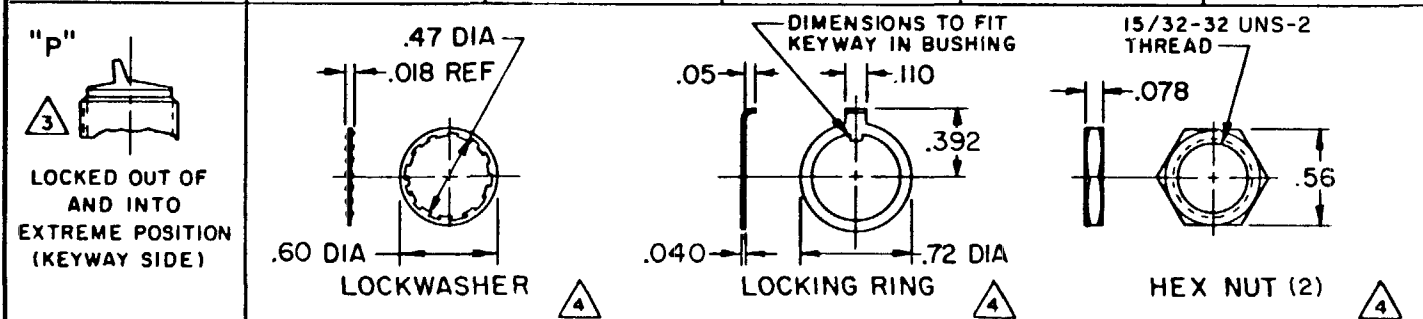
DRAWN

FORMTEK



| CAT. LIST. | AVAILABLE LOCKING COMBINATIONS FOR CONFIGURATION SEE LETTERED DETAILS | STYLE NO. | MILITARY RATING (AMPS) | | | | | | | | MS NUMBER | |
|------------|---|-----------|-------------------------|-----|-----|-----------|-----|----------------|---------|--------|-----------|------------|
| | | | RESISTIVE LOAD DC VOLTS | | | LAMP LOAD | | INDUCTIVE LOAD | | | | CONTINUOUS |
| | | | 28 | 125 | 250 | 125 | 250 | 28 VDC | 125 VAC | 28 VDC | | |
| 4TL1-50 | NONE | 1 | 18 | .75 | .5 | 11 | 6 | 4 | 2 | 10 | 8 | 27406-2 |
| 4TL1-50 6 | E, F, K, L, M, N | 2 | | | | | | | | | | 27409-2 6 |

| "A" | "B" | "D" | "E" | "F" | "G" |
|---|---|---|--|---|--|
| | | | | | |
| LOCKED IN THREE POSITIONS | LOCKED IN CENTER AND EXTREME POSITION (KEYWAY SIDE) | LOCKED OUT OF CENTER POSITION | LOCKED IN CENTER POSITION | LOCKED IN EXTREME POSITION (OPPOSITE KEYWAY) | LOCKED IN EXTREME POSITION (KEYWAY SIDE) |
| "H" | "J" | "K" | "L" | "M" | "N" |
| | | | | | |
| LOCKED OUT OF CENTER AND EXTREME POSITION (KEYWAY SIDE) | LOCKED OUT OF CENTER AND EXTREME POSITION (OPPOSITE KEYWAY) | LOCKED IN CENTER AND EXTREME POSITION (OPPOSITE KEYWAY) | LOCKED OUT OF EXTREME POSITION (KEYWAY SIDE) | LOCKED OUT OF AND INTO EXTREME POSITION (OPPOSITE KEYWAY) | LOCKED OUT OF EXTREME POSITION (OPPOSITE KEYWAY) |

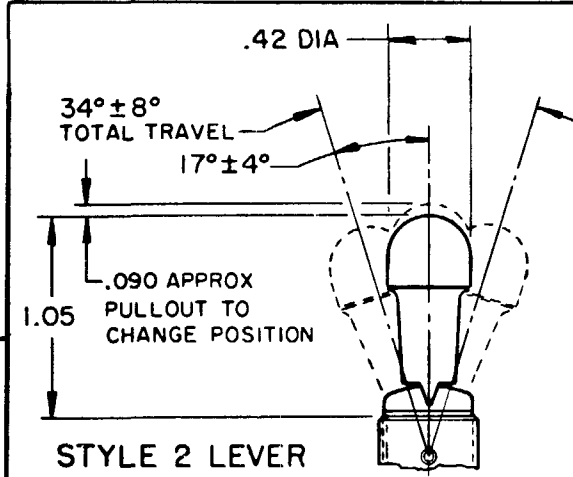


| LEVER ON KEYWAY SIDE | LEVER IN CENTER | LEVER OPPOSITE KEYWAY |
|----------------------|---------------------|-----------------------|
| | | |
| MOMENTARY POSITION | MAINTAINED POSITION | MAINTAINED POSITION |

NOTES

- SWITCHES ARE CAPABLE OF WITHSTANDING A TEMPERATURE OF 160°F CONTINUOUSLY AT FULL RATED LOAD
- CIRCUIT DESIGNATION, MICRO SWITCH CATALOG LISTING AND MS NUMBER MARKED ON SIDE OF SWITCH
- KEYWAY SHOWN ON LEFT SIDE
- FURNISHED UNASSEMBLED
- FOR TERMINAL COVER SEE MICRO SWITCH CATALOG LISTING 5PA9 SUFFIX LETTER MUST BE ADDED FOR DESIRED TYPE

TOGGLE LOCKING, SEE CHART FOR AVAILABLE LOCKING COMBINATIONS



SCALE FULL
DO NOT SCALE PRINT

UNLESS OTHERWISE NOTED
DIMENSIONS ARE IN INCHES

TOLERANCES ARE:

| | | |
|-------------|--------|-------|
| ONE PLACE | ±.01 | ±.030 |
| TWO PLACE | ±.001 | ±.015 |
| THREE PLACE | ±.0001 | ±.005 |

ANGLES

10A-125, 250, 277 VAC
1/4HP-125VAC; 1/2HP-250, 277VAC
3A-125VAC "L" CODE LI92