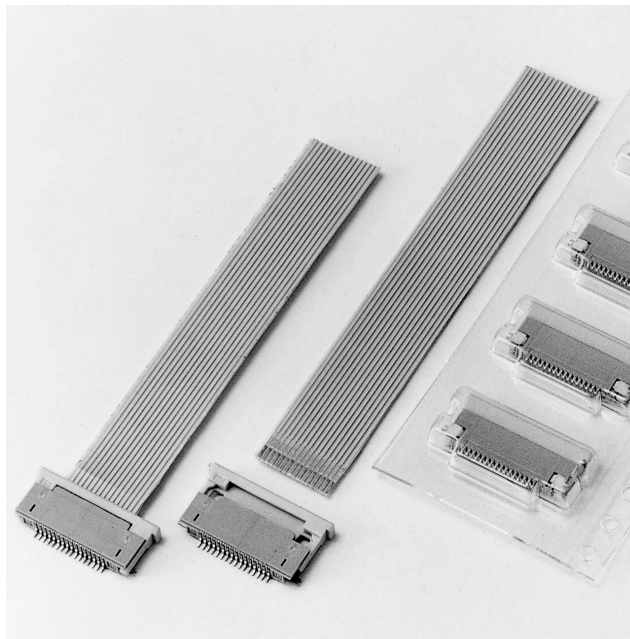
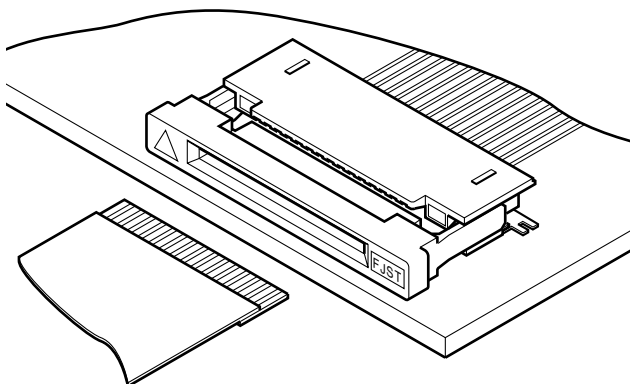


# FLS CONNECTOR

Connectors for FPC



**Compact connector with just 2.0mm high after mounting on the PC board. Available both in normal type and reverse type.**



## Features

### • Easy location of FPC

The shrouded FPC entry point allows the FPC to be positioned and hold in place before the connector is locked.

### • Zero insertion force mechanism

A ZIF mechanism increases wear resistance and extends the connector's mating life.

### • Heat resisting design suitable for surface mounting

The housing is made of heat resisting resin to allow reflow soldering.

### • In-line surface mounting

Has an in-line surface mount tails for easy inspection.

### • Two types of connections

The connector is available in either the normal or reverse configurations. The FPC is positioned with its mating surfaces facing upward for the normal configured connector, while the reverse configuration requires that the FPC be positioned with its mating surfaces facing down. The engineer has greater freedom in designing his circuitry.

### • Embossed tape for automatic mounting

The FLS connector can be packaged in embossed tape for automatic mounting.

## Specifications

- Current rating: 0.5A AC, DC
- Voltage rating: 50V AC, DC
- Temperature range: -25°C to +85°C  
(including temperature rise in applying electrical current)
- Contact resistance: Initial value/40m Ω max.  
After environmental testing/60m Ω max.
- Insulation resistance: 800M Ω min.
- Withstanding voltage: 200V AC/minute
- Applicable FPC: Conductor pitch/0.5mm  
Conductor width/0.35mm  
Mating part thickness/0.3±0.03mm

<Note>FPC to be actually used should be checked for applicability.

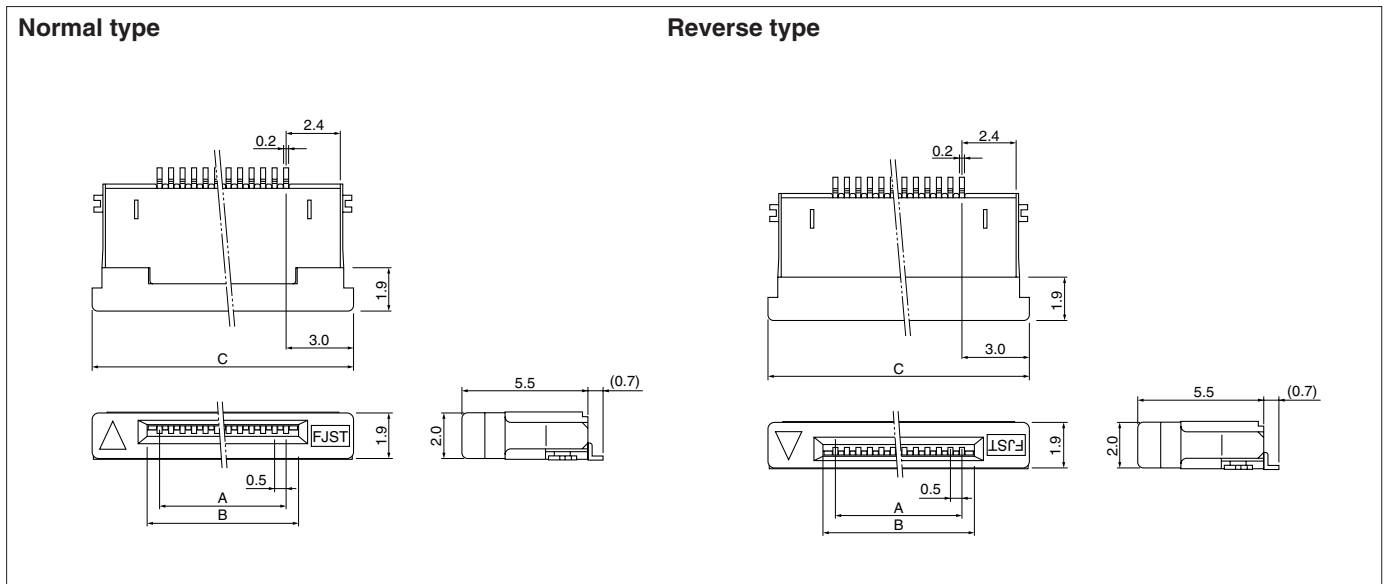
- \* Compliant with RoHS.
- \* Refer to "General Instruction and Notice when using Terminals and Connectors" at the end of this catalog.
- \* Contact JST for details.

## Standards

Recognized E60389

Certified LR20812

## Connector



Circuits	Model No.		Dimensions (mm)			Q'ty / reel
	Normal type	Reverse type	A	B	C	
6	06FLS-SM1-TB	06FLS-RSM1-TB	2.5	3.55	8.5	2,000
7	07FLS-SM1-TB	07FLS-RSM1-TB	3.0	4.05	9.0	2,000
9	09FLS-SM1-TB	09FLS-RSM1-TB	4.0	5.05	10.0	2,000
10	10FLS-SM1-TB	10FLS-RSM1-TB	4.5	5.55	10.5	2,000
12	12FLS-SM1-TB	12FLS-RSM1-TB	5.5	6.55	11.5	2,000
13	13FLS-SM1-TB	—	6.0	7.05	12.0	2,000
15	15FLS-SM1-TB	15FLS-RSM1-TB	7.0	8.05	13.0	2,000
16	16FLS-SM1-TB	16FLS-RSM1-TB	7.5	8.55	13.5	2,000
17	17FLS-SM1-TB	17FLS-RSM1-TB	8.0	9.05	14.0	2,000
18	18FLS-SM1-TB	18FLS-RSM1-TB	8.5	9.55	14.5	2,000
19	19FLS-SM1-TB	19FLS-RSM1-TB	9.0	10.05	15.0	2,000
20	20FLS-SM1-TB	20FLS-RSM1-TB	9.5	10.55	15.5	2,000
22	22FLS-SM1-TB	22FLS-RSM1-TB	10.5	11.55	16.5	2,000
24	24FLS-SM1-TB	24FLS-RSM1-TB	11.5	12.55	17.5	2,000
26	26FLS-SM1-TB	26FLS-RSM1-TB	12.5	13.55	18.5	2,000
28	28FLS-SM1-TB	28FLS-RSM1-TB	13.5	14.55	19.5	2,000
30	30FLS-SM1-TB	30FLS-RSM1-TB	14.5	15.55	20.5	2,000

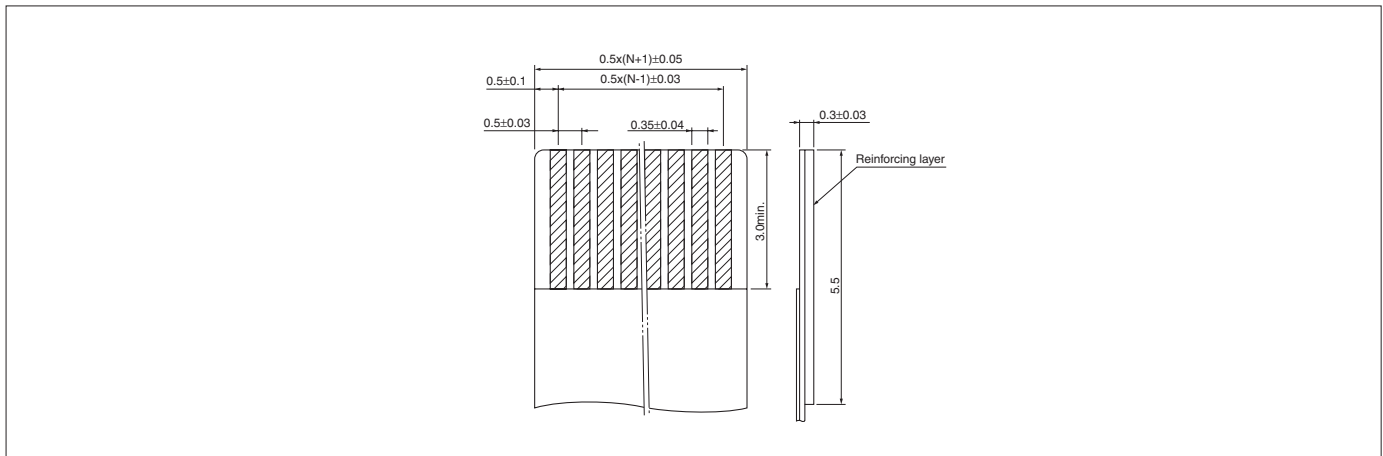
### Material and Finish

Contact: Phosphor bronze, copper-undercoated, tin-plated (reflow treatment)  
 Slider housing: PA 46, UL94V-0      Receptacle housing: PA 46, UL94V-0  
 Normal type...natural      Normal type...gray  
 Reverse type...black      Reverse type...natural  
 Solder tab: Phosphor bronze, copper-undercoated, tin-plated (reflow treatment)

**RoHS compliance** This product displays (LF)(SN) on a label.  
 Note: The products listed above are supplied on embossed-tape.

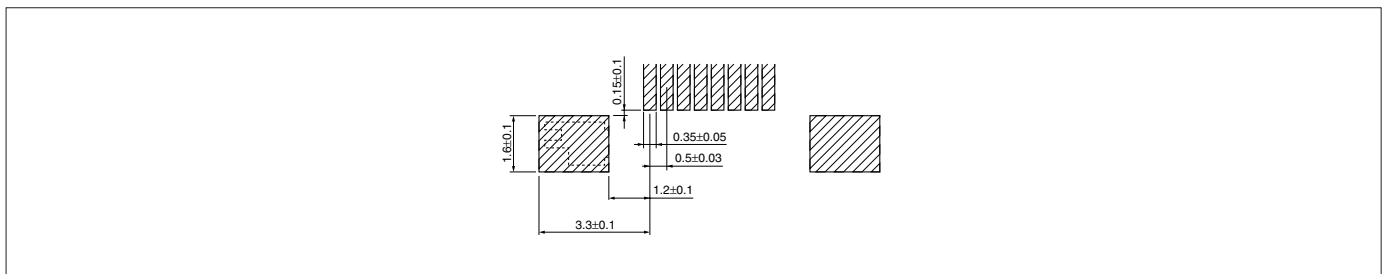
# FLS CONNECTOR

## Lead section dimensions of FPC



Note: N --- Number of circuits

## PC board layout (viewed from component side)



Note:  
 1. Tolerances are non-cumulative:  $\pm 0.03\text{mm}$  for all centers.  
 2. The dimensions above should serve as a guideline.  
 Contact JST for details.

## Assembly layout

