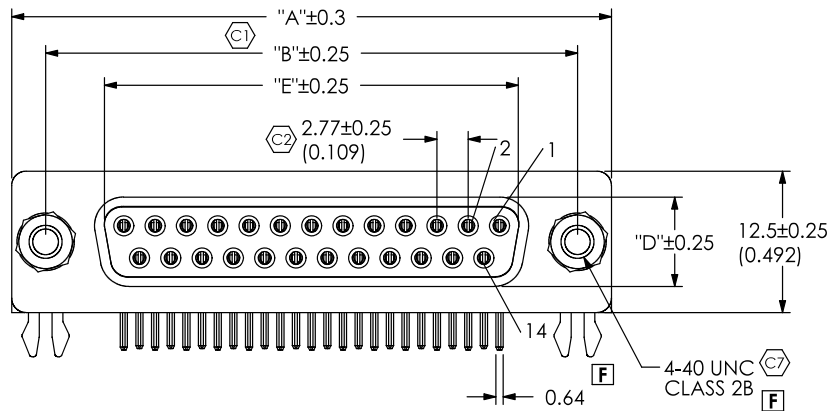


DO NOT SCALE FROM THIS PRINT



DSM-XXX-X-XX-S-X-XX-XX-X [F]

TAIL SETBACK
-318
-590

SHELL SIZE / POSITION

-E-09 -A-15
-B-25 -C-37

GENDER
-S: SOCKETS

FI OPTION

-R: RoHS COMPLIANT LEAD-FREE (SEE NOTE 3)

MOUNTING FACE

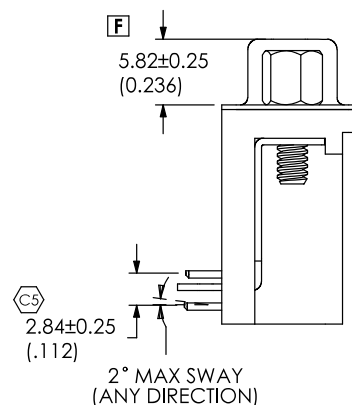
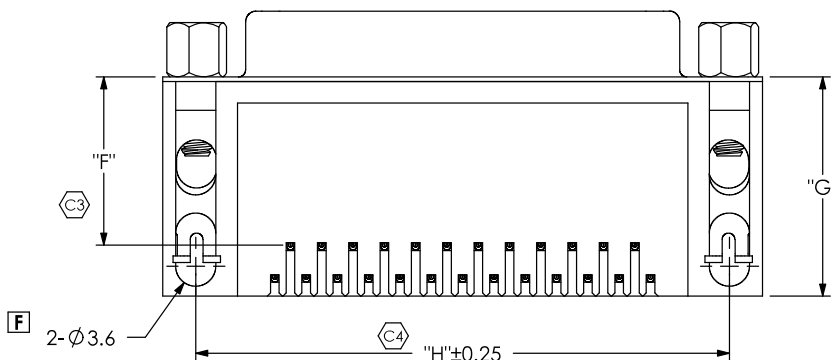
-FT: FLUSHED THREADED INSERTS (RV-01)
-RJ: REMOVABLE JACK SCREWS (JS-01)
-MT: M3 METRIC THREADED INSERTS (RV-02)
-MJ: -MT OPTION WITH REMOVABLE M3 JACKSCREWS (JS-02)
-NT: NON-THREADED RIVETS (RV-03)

BOARD MOUNT

-FB: 318 FORKED BOARD LOCK (FB-318-TH)
-LB: 318 "L" BRACKET (LB-318-TH)
-TL: 318 THREADED "L" BRACKET (LB-318-T1)
-F2: 590 FORKED BOARD LOCK (FB-590-TH)
-T2: 590 TOP SIDE GROUND (LB-590-TH)

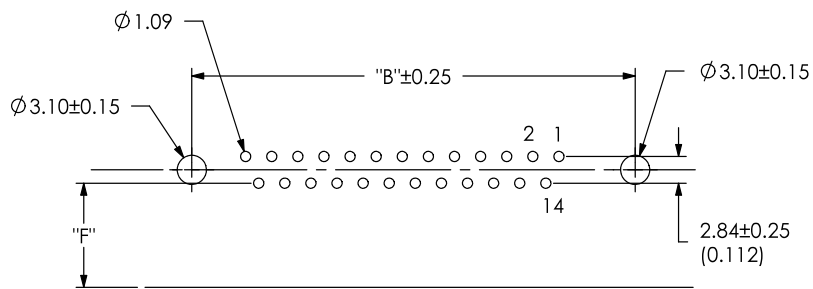
PLATING

-F: FLASH GOLD
-L: .000010" GOLD
-S: .000030" GOLD [C6]
(SEE NOTE 2)



POSITION	"A"	"B"	"E"	"D"	"H"
E-09	30.81	24.99	16.33	7.90	24.99
A-15	39.14	33.32	24.66	7.90	33.32
B-25	53.04	47.04	38.38	7.90	47.04
C-37	69.32	63.50	45.84	7.90	63.50

SETBACK	"F"	"G"
-318	8.08	12.50
-590	15.00	19.41



PC BOARD LAYOUT

NOTES:

1. [C6] REPRESENTS A CRITICAL DIMENSION.
2. GOLD PLATING ON MATING AREAS, TIN LEAD ON TAILS.
3. PARTS WITH -R HAVE BRIGHT ACID TIN ON TAILS.

<p>UNLESS OTHERWISE SPECIFIED, DIMENSIONS ARE IN MM. TOLERANCES ARE: DECIMALS ANGLES .X: ±.40 [.02] .XX: ±.25 [.010] .XXX: ±.15 [.0059]</p>	<p>PROPRIETARY NOTE THIS DOCUMENT CONTAINS INFORMATION CONFIDENTIAL AND PROPRIETARY TO SAMTEC, INC. AND SHALL NOT BE REPRODUCED OR TRANSFERRED TO OTHER DOCUMENTS OR DISCLOSED TO OTHERS OR USED FOR ANY PURPOSE OTHER THAN THAT WHICH IT WAS OBTAINED WITHOUT THE EXPRESSED WRITTEN CONSENT OF SAMTEC, INC.</p>	<p>SAMTEC 520 PARK EAST BLVD, NEW ALBANY, IN 47150 * PHONE: 812.944.6733 FAX: 812.948.5047 e-Mail: INFO@SAMTEC.COM CODE: 55322</p>
<p>MATERIAL: DO NOT SCALE DRAWING INSULATOR: PBT, UL 94V-0 RATED, BLACK CONTACT OR TERMINAL: BRASS SHIELD: STEEL MAX FLASH ALLOWED: .051 MAX GATE VESTIGE: .051</p>	<p>SHEET SCALE: 1:0.8 SolidWorks</p>	<p>DESCRIPTION: D-SUB, F CONN., DIP SOLDER, R/A DWG. NO. DSM-XXX-X-XX-S-X-XX-XX-X BY: D FRALEY 01/30/04 SHEET 1 OF 1</p>