

GERMANIUM POWER TRANSISTORS

www.DataSheet4U.com

PRO ELECTRON TYPES

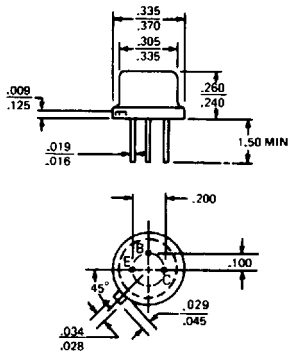
Type Number	V_{CE0} V max	V_{CE0} V max	V_{EB0} V max	I_C A max	CURRENT GAIN at			f_T MHz	$R_{\theta j-c}$ °C/W max	Outlines	NOTES
					h_{FE} min-max	V_{CE} V	I_C A				
AD130	32	30	10	3	20-40	1	1	0.35	1.5	127	AD130—III —IV —V
AD131	32	30	10	3	30-60	1	1	0.35	1.5	127	
	64	45	20	3	50-100	1	1	0.35	1.5	127	
AD132	64	45	20	3	20-40	1	1	0.35	1.5	127	AD131—III —IV —V
	64	45	20	3	30-60	1	1	0.35	1.5	127	
AD133	64	45	20	3	50-100	1	1	0.35	1.5	127	AD132—IV —V
	80	60	20	3	50-100	1	1	0.35	1.5	127	
AD136	80	60	20	3	30-60	1	1	0.35	1.5	127	AD133—III —IV —V
	50	32	10	15	20-40	0.5	5	0.3	1.5	128	
AD140	50	32	10	15	30-60	0.5	5	0.3	1.5	128	AD136—IV —V —VI
	50	32	10	15	50-100	0.5	5	0.3	1.5	128	
AD142	40	22	10	10	30-60	0.5	5	0.3	5	129	AD140—IV —V
	40	22	10	10	50-100	0.5	5	0.3	5	129	
AD143	40	22	10	10	75-150	0.5	5	0.3	5	129	AD142—IV —V
	40	22	10	10	30-100	1	1	0.3	1.5	127	
AD148	55	55	10	3	30-200	2	1	0.45	1.5	127	AD143—III —IV —V
	AD149	50	30	20	30-60	1	1	0.45	4	127	
AD150	50	30	20	3.5	50-100	1	1	0.3	2	127	AD148—IV —V
	50	30	20	3.5	30-60	1	1	0.3	2	127	
AD163	50	30	20	3.5	50-100	1	1	0.3	2	127	AD149—IV —V
	32	30	10	3.5	30-60	1	1	0.45	2	127	
ADY10	32	30	10	3.5	50-100	1	1	0.45	2	127	AD150—IV —V
	100	80	20	3	12.5-25	1	1	0.35	1.5	127	
ADY11	100	80	20	3	20-40	1	1	0.35	1.5	127	AD163—II —III —IV
	100	80	20	3	30-60	1	1	0.35	1.5	127	
ADY12	32	30	16	0.6	40-70	0.3	0.05	0.35	5	129	ADY10 ADY11 ADY12 ADY13
	60	45	16	0.6	30-50	0.3	0.05	0.35	5	129	
ADY13	32	30	16	0.6	60-100	0.3	0.05	0.35	5	129	ADY20 ADY26 ADY27
	60	45	16	0.6	40-70	0.3	0.05	0.35	5	129	
ADY20	60	45	16	0.6	60-100	0.3	0.05	0.35	5	129	ADY13 ADY20 ADY26 ADY27
	80	60	40	25	15	0	25	0.1	0.8	131	
ADZ11	32	30	10	3.5	30-60	1	1	0.45	2	127	ADZ11 ADZ12
	32	30	10	3.5	50-100	1	1	0.45	2	127	
AL100	32	30	10	20	40-120	0	1.2	0.8	0.8	131	ADZ12 AL100 AL102 AL103 ASZ15
	50	40	30	20	40-120	0	1.2	0.8	0.8	131	
AL102	130	60	2	10	40-250	2.0	1.0	4.0	1.5	127	AL100 AL102 AL103 ASZ15
	130	60	2	6	40-250	2.0	1.0	4.0	1.5	127	
AL103	100	40	1.5	6	40-250	2.0	1.0	3.0	1.5	127	AL102 AL103 ASZ15
	100	60	40	8	20-55	1	1	0.2	1.5	127	
ASZ16	60	32	20	8	45-130	1	1	0.25	2	127	ASZ16 ASZ17 ASZ18 ASZ1015 ASZ1016
	60	32	20	8	25-75	1	1	0.22	2	127	
ASZ17	100	32	40	8	30-110	1	1	0.22	2	127	ASZ1017 ASZ1018
	80	60	40	6	15-30	1	6	0.2	2	127	
ASZ1015	60	32	20	6	35-80	1	6	0.25	2	127	AU106 AU107 AU108
	60	32	20	6	20-45	1	6	0.22	2	127	
ASZ1016	60	32	40	6	20-65	1	6	0.22	2	127	AU110 AU111 AU112 AU113 AUY18
	320	2	10	10	15-80	1.3	6.0	2.0	1.5	127	
AU106	200	2	10	10	35-120	2.0	0.7	2.0	1.5	127	AU106 AU107 AU108
	100	2	10	10	35-200	2.0	0.7	2.0	1.5	127	
AU107	160	2	10	10	20-90	2.0	1.0	1.5	1.5	127	AU110 AU111 AU112 AU113 AUY18
	320	2	10	10	15-80	1.3	6.0	2.0	1.5	127	
AU108	320	2	10	10	15-40	1.3	6.0	2.0	1.5	127	—IV —V
	250	2	10	10	15-80	1.3	6.0	1.5	1.5	127	
AUY18	64	45	20	8	30-60	0.5	5	0.3	5	129	—III —IV —V
	64	45	20	8	50-100	0.5	5	0.3	5	129	
AUY19	64	45	20	3	20-40	1	1	0.35	1.5	127	—III —IV —V
	64	45	20	3	30-60	1	1	0.35	1.5	127	
AUY20	64	45	20	3	50-100	1	1	0.35	1.5	127	—III —IV —V
	80	60	20	3	20-40	1	1	0.35	1.5	127	
AUY21	80	60	20	3	30-60	1	1	0.35	1.5	127	—III —IV —V
	80	60	20	3	50-100	1	1	0.35	1.5	127	
AUY21	65	45	20	10	12.5-25	0.5	5	0.3	1.5	128	—II —IV
	65	45	20	10	20-40	0.5	5	0.3	1.5	128	
AUY21	65	45	20	10	30-60	0.5	5	0.3	1.5	128	—II —IV
	65	45	20	10	30-60	0.5	5	0.3	1.5	128	

Outline numbers refer to Pro-Electron designations.

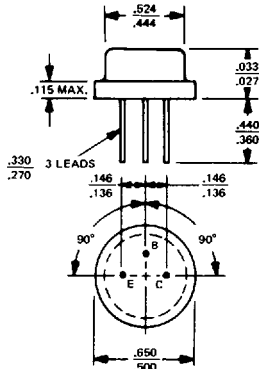
GERMANIUM POWER TRANSISTORS

CASE OUTLINE DRAWINGS & DIMENSIONS

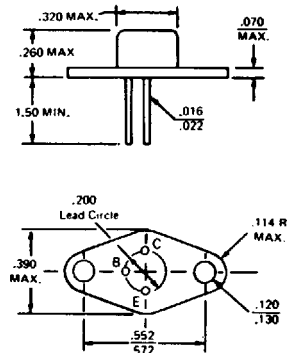
TO-5



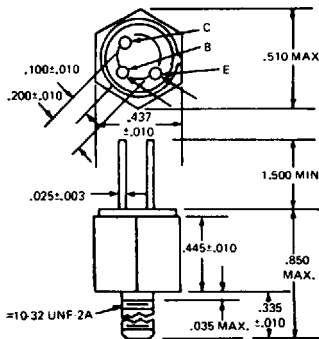
TO-8



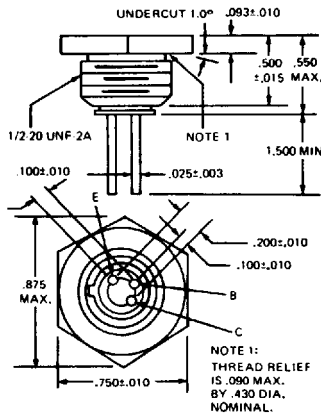
TO-37



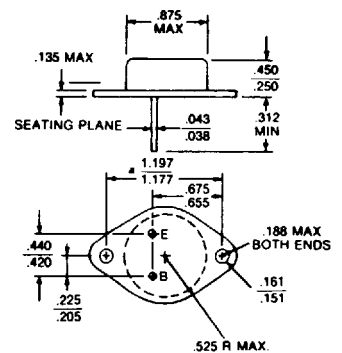
MT-27



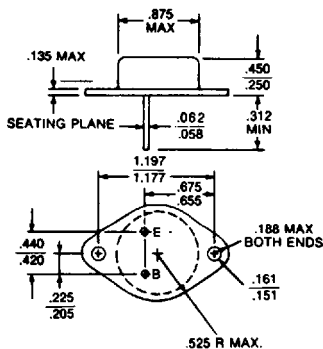
MT-28



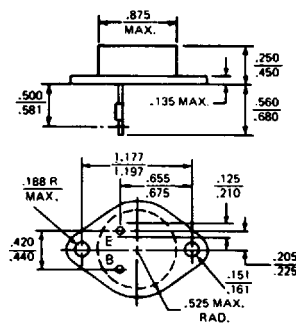
TO-3



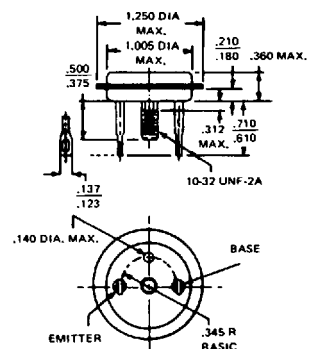
**MODIFIED TO-3
(60 mil pins)**



TO-41



TO-36

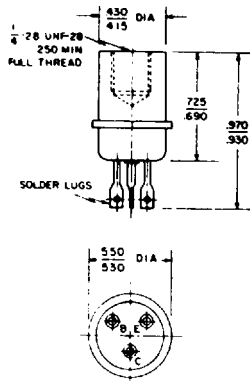


GERMANIUM POWER TRANSISTORS

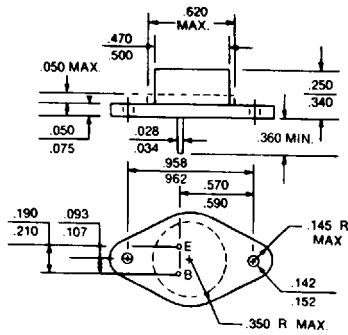
www.DataSheet4U.com

CASE OUTLINE DRAWINGS & DIMENSIONS

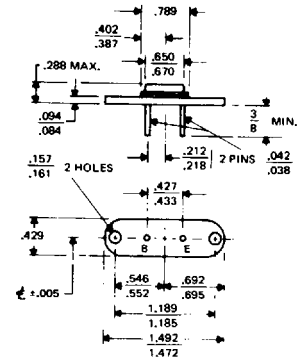
TO-13



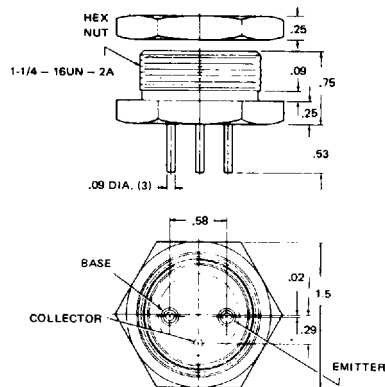
TO-66



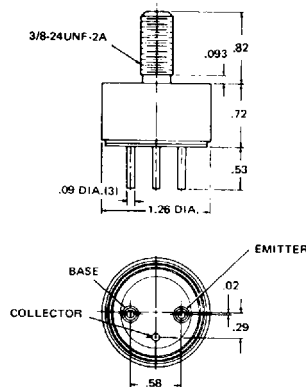
MS-7



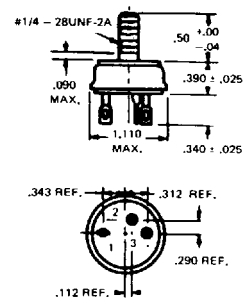
MT-22



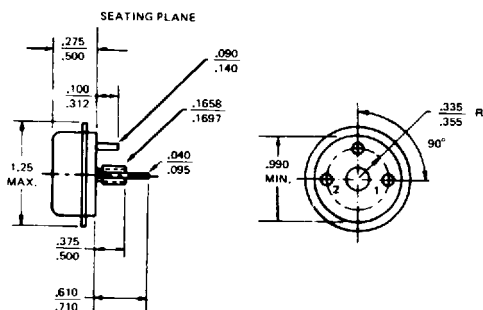
MT-23



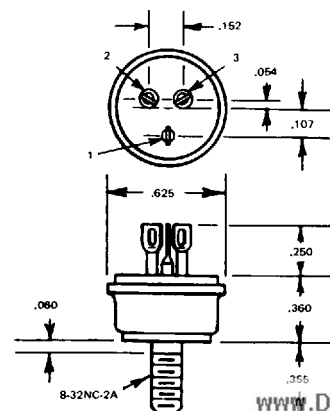
MT-7



TO-68



MT-36

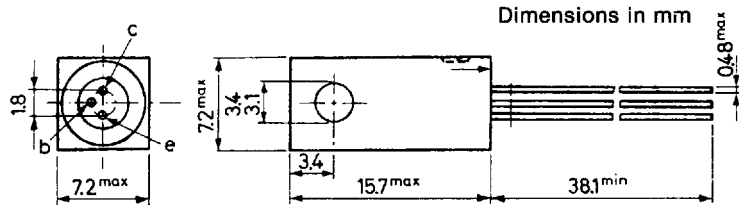


www.DataSheet4U.com

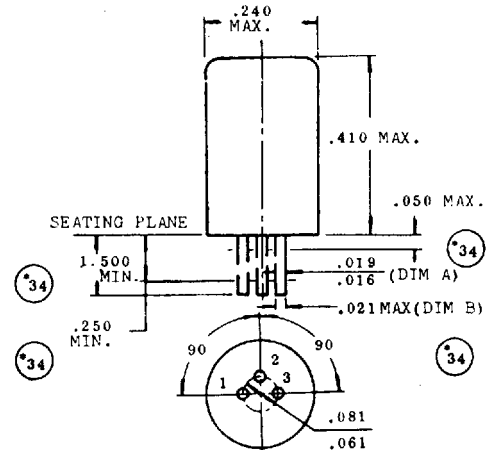
GERMANIUM POWER TRANSISTORS

CASE OUTLINE DRAWINGS & DIMENSIONS

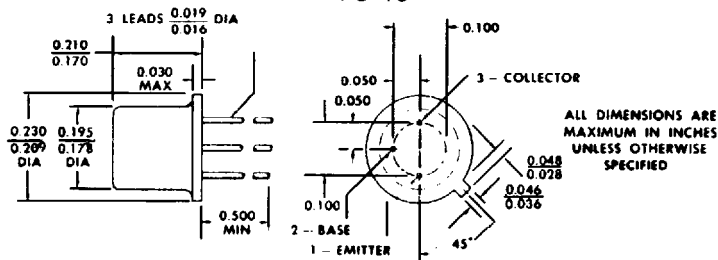
NS257



TO-1



TO-18



THE COLLECTOR IS ELECTRICAL CONTACT WITH THE CASE.

ALL JEDEC TO-18 DIMENSIONS AND NOTES ARE APPLICABLE.