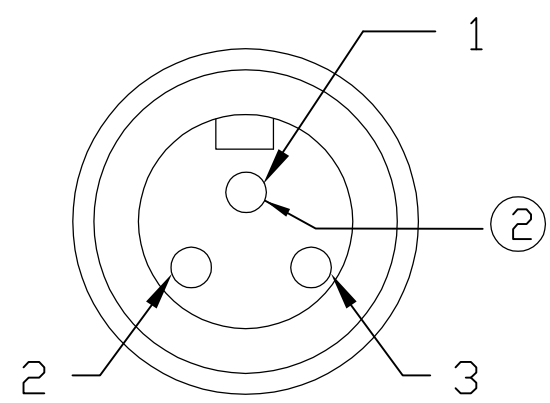
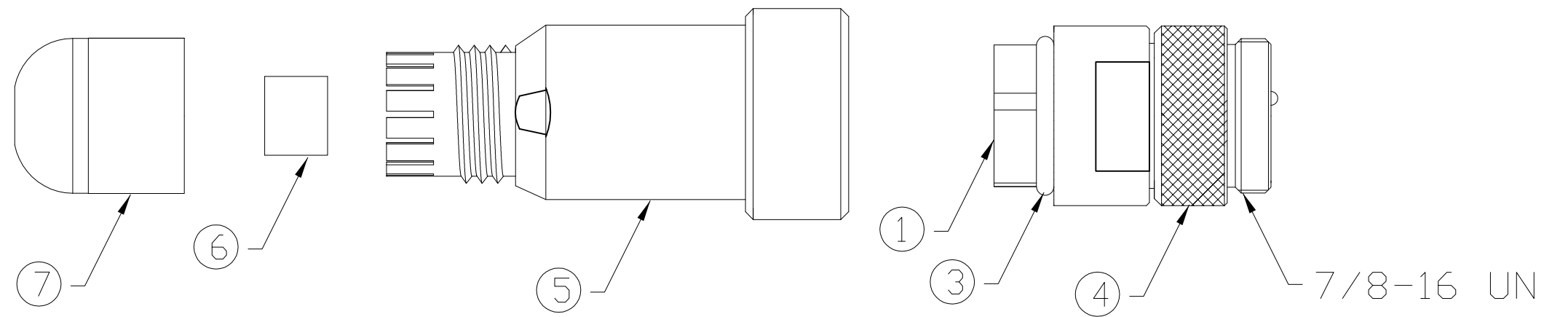
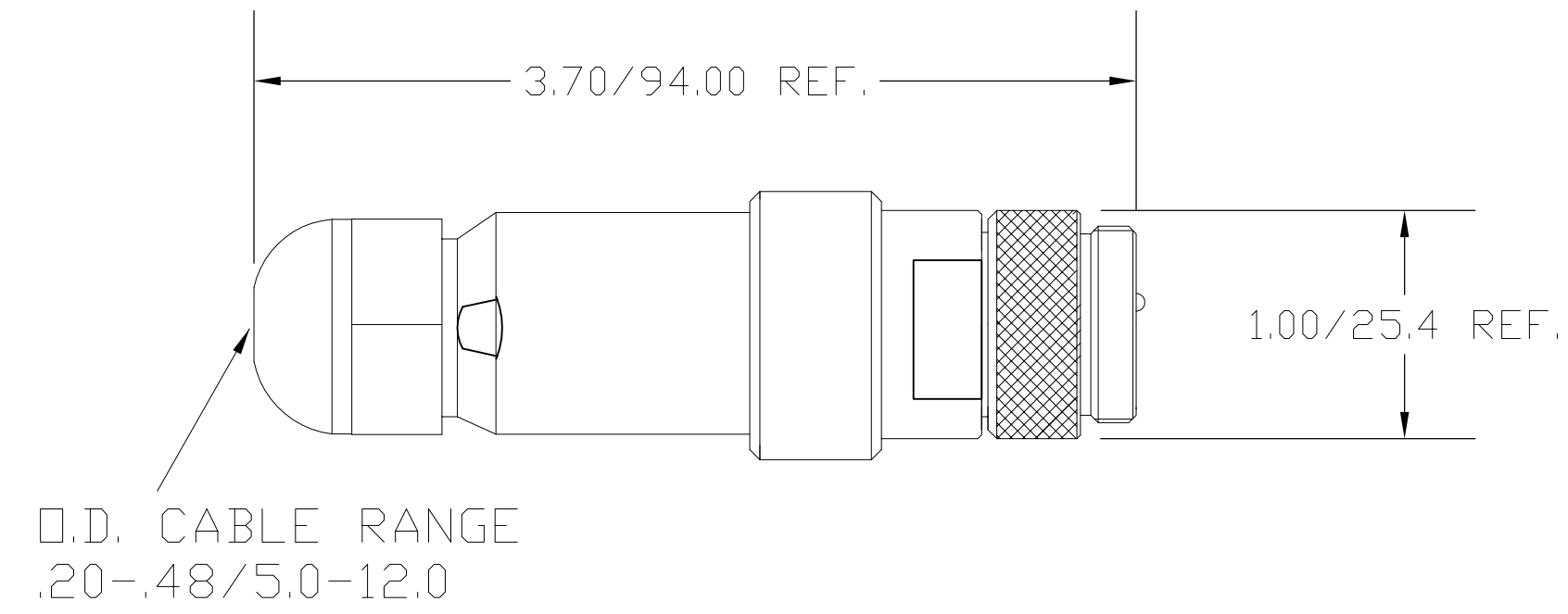
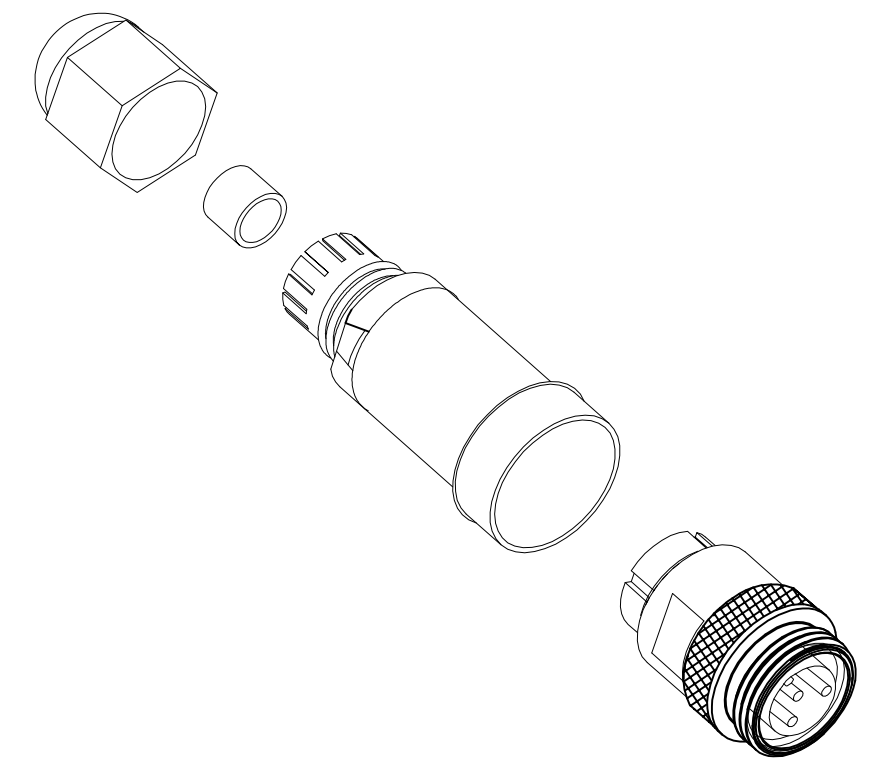
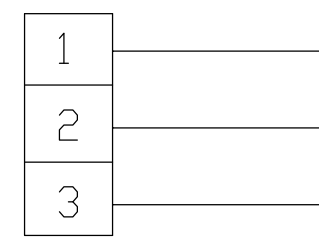


13	12	11	10	9	8	7	6	5	4	3	2	1
<b>MATERIAL NUMBER</b>	<b>ENGINEERING PART NUMBER</b>	<b>COUPLING NUT MATERIAL</b>	<b>COUPLING NUT FINISH</b>									
1300170011	1A3006-34	BRASS	NICKEL PLATED									
1300170012	1A3006-348	STAINLESS STEEL	PASSIVATED									



MALE FACE VIEW



WIRING CHART

VOLTAGE RATING	600VAC/VDC
AMPERAGE RATING	13 AMPS
PROTECTION	IP67
OPERATING TEMPERATURE	-20°C TO 80°C
CSA CERTIFICATIONS	CSA CERTIFIED, FILE NO. LR6837

ITEM	COMPONENT	MATERIAL	FINISH
1	INSERT	NYLON	BLACK
2	PIN CONTACTS	COPPER ALLOY	GOLD PLATED
3	O-RING	NITRILE	BLACK
4	COUPLING NUT	SEE CHART	SEE CHART
5	MOLDED BODY	NYLON	BLACK
6	GROMMET	NITRILE	BLACK
7	CORD GRIP BODY	NYLON	BLACK

RELEASE EC NO: WNA2010-0081 DRWN: TWOLDEGE 8/25/09 CH'KD: BWOODMAN APPR: JFMURPHY 2009/08/27	DESCRIPTION A	<b>QUALITY SYMBOL</b> ▽=0 ▽=0	<b>GENERAL TOLERANCES (UNLESS SPECIFIED)</b> <table border="1"> <tr> <td></td> <td>mm</td> <td>INCH</td> </tr> <tr> <td>4 PLACES</td> <td>±----</td> <td>±---</td> </tr> <tr> <td>3 PLACES</td> <td>±.005</td> <td>±.005</td> </tr> <tr> <td>2 PLACES</td> <td>±.013</td> <td>±.010</td> </tr> <tr> <td>1 PLACE</td> <td>±.025</td> <td>±.020</td> </tr> </table>		mm	INCH	4 PLACES	±----	±---	3 PLACES	±.005	±.005	2 PLACES	±.013	±.010	1 PLACE	±.025	±.020	<b>DIMENSION STYLE</b> ---- DRAWN BY: TWOLDEGE DATE: 2009/08/25	<b>SCALE</b> ---- <b>DESIGN UNITS</b> INCH	<b>THIRD ANGLE PROJECTION</b>
			mm	INCH																	
		4 PLACES	±----	±---																	
		3 PLACES	±.005	±.005																	
2 PLACES	±.013	±.010																			
1 PLACE	±.025	±.020																			
ANGULAR ±1/2° DRAFT WHERE APPLICABLE MUST REMAIN WITHIN DIMENSIONS	CHECKED BY: BWOODMAN DATE: 2009/08/25	APPROVED BY: JFMURPHY DATE: 2009/08/26	<b>TITLE</b> MINI CHANGE ATTACHABLE 3-POLE MALE ST .20"-.48" CABLE RANGE	<b>MOLEX INCORPORATED</b>	MATERIAL NO. <b>SEE CHART</b>	DOCUMENT NO. <b>SD-130017-007</b>	SHEET NO. <b>1 OF 1</b>														
SIZE <b>C</b>	THIS DRAWING CONTAINS INFORMATION THAT IS PROPRIETARY TO MOLEX INCORPORATED AND SHOULD NOT BE USED WITHOUT WRITTEN PERMISSION																				