

PLEASE CHECK WWW.MOLEX.COM FOR LATEST PART INFORMATION

Part Number: [0351899254](#)
Status: **Planned for Obsolescence**
Description: 4.75mm (.187") Tab, MP-Lock™ Housing, 2 Circuits, 16.00mm (.630") Pitch, UL94V-0, Polypropylene, Blue

Documents:

[3D Model](#)
[Drawing \(PDF\)](#)

[RoHS Certificate of Compliance \(PDF\)](#)

General

Product Family	Crimp Housings
Series	35189
Product Name	MP-Lock™

Physical

Breakaway	No
Circuits (maximum)	2
Gender	Female
Glow-Wire Compliant	No
Keying to Mating Part	None
Lock to Mating Part	None
Number of Rows	1
Packaging Type	Bag
Panel Mount	No
Pitch - Mating Interface (in)	0.630 In
Pitch - Mating Interface (mm)	16.00 mm
Polarized to Mating Part	Yes
Stackable	No
Temperature Range - Operating	-40°C to +105°C

Electrical

Current - Maximum per Contact	12A
-------------------------------	-----

Material Info

Reference - Drawing Numbers

Sales Drawing	SD-35189-0250
---------------	---------------

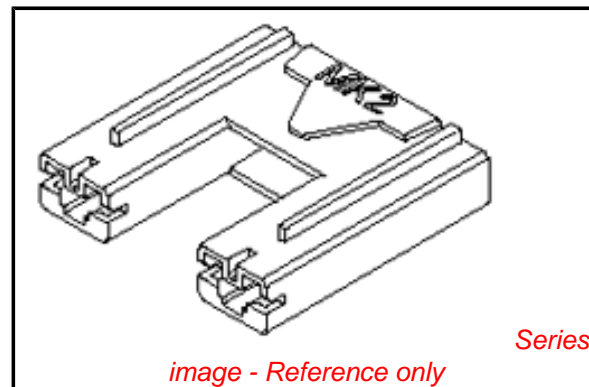


image - Reference only

EU RoHS

ELV and RoHS Compliant
REACH SVHC Not Reviewed
Halogen-Free Status Not Reviewed

China RoHS



Need more information on product environmental compliance?

Email productcompliance@molex.com
 For a multiple part number RoHS Certificate of Compliance, [click here](#)

Please visit the [Contact Us](#) section for any non-product compliance questions.

Search Parts in this Series

[35189Series](#)

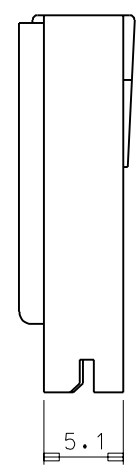
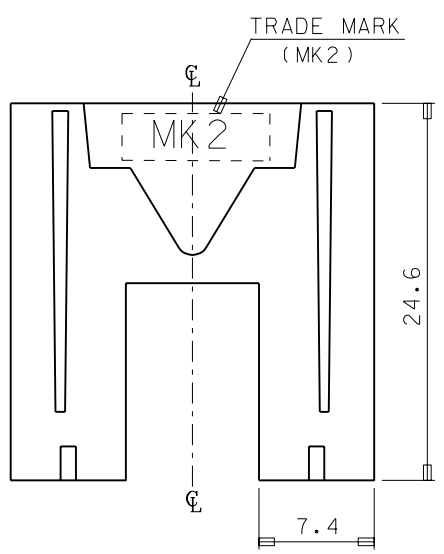
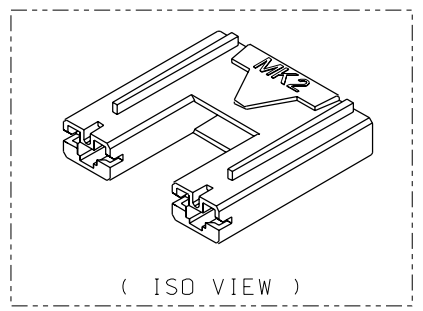
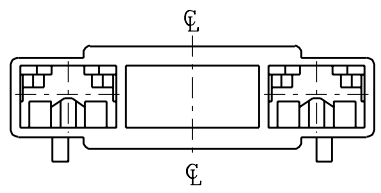
Mates With

Appliance Motor|Appliance Transformer

Use With

[35068](#) MP-Lock™ Quick Disconnect

DWG. NO. SD-35189-0250
 SIMILAR ITEM
 PROJECT NO.
 DO NOT SCALE DRAWING DIMENSION IN METRIC

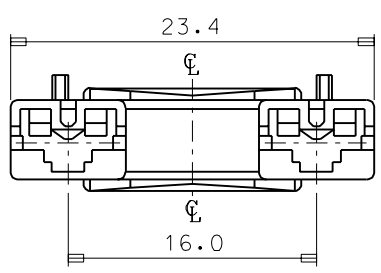
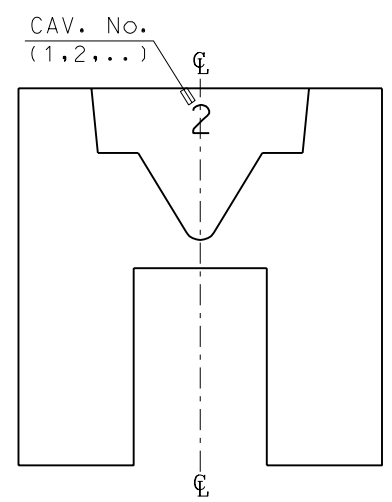


NOTES

1. MATERIAL & COLOR

MATERIAL NO.	ENG NO.	COLOR	MATERIAL
351890250	35189-0250	NATURAL	NYLON66(UL94V-2)
351890251	35189-0251	NATURAL	NYLON66(UL94V-0)
351899250	35189-9250	NATURAL	POLYPROPYLENE (UL 94V-0)
351899252	35189-9252	RED	
351899253	35189-9253	YELLOW	
351899254	35189-9254	BLUE	

2. APPLICABLE TERMINAL : 35068 - 9**2



REVISED ECN NO. KOR2002-0028 DRWN: C.B.CHIN 01/10/12 CHK: W.Y. YANG APPR: C.W.LEE	QUALITY SYMBOLS MAJOR : 0 CRITICAL : 0	GENERAL TOLERANCES: (UNLESS SPECIFIED)		SCALE 3:1	DESIGN UNITS <input checked="" type="checkbox"/> mm <input type="checkbox"/> INCH	THIRD ANGLE PROJECTION	DIMENSIONS: <input type="checkbox"/> mm <input type="checkbox"/> INCH <input checked="" type="checkbox"/> mm ONLY	SHT REV	
		4 PLACES ±0. ±.	3 PLACES ±0. ±.	2 PLACES ±0. ±.	1 PLACE ±0.3 ±.	ANGULAR: ± 1 °	DRAFT WHERE APPLICABLE MUST REMAIN WITHIN DIMENSIONS	THIS DRAWING CONTAINS INFORMATION THAT IS PROPRIETARY TO MOLEX INCORPORATED AND SHOULD NOT BE USED WITHOUT WRITTEN PERMISSION.	SIZE B
DESCRIPTION C	REV	TITLE: .187 MP-LOCK HSG-2P (16mm PITCH)		MOLEX INCORPORATED		CAD FILENAME S35189AA.DGN	MATERIAL NO. SEE NOTES	DRAWING NO. SD-35189-0250	SHEET NO. 1 OF 1