

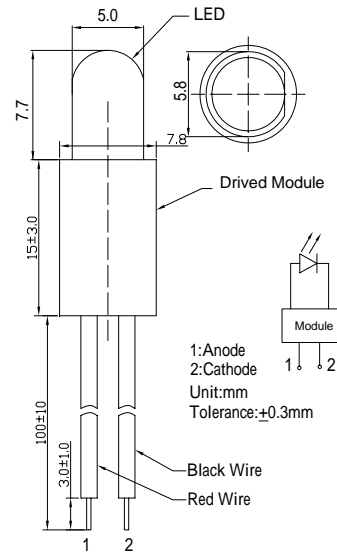
Features

- High Luminous LEDs
- 5mm Round Standard Directivity
- Superior Weather-resistance
- UV Resistant Epoxy
- 12V DC LED
- Water Clear Type

Applications

- Electronic Signs And Signals
- Other Lighting

Outline Dimension

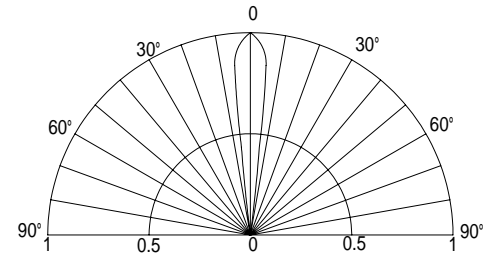


Absolute Maximum Rating

($T_a=25$)

Item	Symbol	Value	Unit
DC Voltage	V_f	14	V
DC Current	I_f	8	mA
Power Dissipation	P_D	112	mW
Operating Temperature	T_{opr}	-30 ~ +85	
Storage Temperature	T_{stg}	-30 ~ +85	
Lead Soldering Temperature	T_{sol}	260 /5sec	-

Directivity



Electrical -Optical Characteristics

($T_a=25$)

Part Number	Color		I_f (mA)			I_v (mcd)*			λD (nm)*			2 θ 1/2(deg)
			Min	Typ.	Max.	Min.	Typ.	Max.	Min.	Typ.	Max.	Typ.
			$V_f=12V$			$V_f=12V$						
OSW5DK5111A-CCW	Cool White	W	6	7	8	10000	12000	14400	X=0.27, Y=0.28			15
OSM5DK5111A-CCW	Warm White	M	6	7	8	8400	10000	12000	X=0.45, Y=0.41			15
OSB5SA5111A-CCW	Blue	B	6	7	8	3000	4200	5800	465	470	475	15
OSG5DA5111A-CCW	Pure Green	G	6	7	8	12000	14400	18000	520	525	530	15
OSG8JA5111A-CCW	Yellow Green	YG	6	7	8	330	500	750	565	570	575	15
OSY5JA5111A-CCW	Yellow	Y	6	7	8	1120	1560	2180	585	590	595	15
OSO5JA5111A-CCW	Orange	O	6	7	8	1560	2180	3000	600	605	610	15
OSR5JA5111A-CCW	Red	R	6	7	8	1120	1560	2180	620	625	630	15

*1 Tolerance of chromaticity coordinates is $\pm 10\%$, Tolerance of λD is $\pm 1nm$.

*2 Tolerance of luminous intensity is $\pm 15\%$

LED & Application Technologies

