



# JM38510/13501/13502

## ULTRA-LOW OFFSET VOLTAGE OPERATIONAL AMPLIFIERS

Precision Monolithics Inc

### FEATURES

- Low  $V_{OS}$  .....  $25\mu V$
- Low  $V_{OS}$  Drift .....  $0.6\mu V/^\circ C$
- Low Noise .....  $0.6\mu V_{p-p}$
- Wide Supply Voltage Range .....  $\pm 4.5V$  to  $\pm 20V$

### ORDERING INFORMATION

JAN SLASH SHEET	PMI DEVICE
JM38510/13501BGC	OP07AJ1/38510
JM38510/13501BGA	OP07AJ5/38510
JM38510/13501SGA	OP07SAJ5/38510
JM38510/13501BPB	OP07AZ2/38510
JM38510/13501BPA	OP07AZ5/38510
JM38510/13501SPA	OP07SAZ5/38510
JM38510/13502BGC	OP07J1/38510
JM38510/13502BGA	OP07J5/38510
JM38510/13502SGA	OP07SJ5/38510
JM38510/13502BPB	OP07Z2/38510
JM38510/13502BPA	OP07Z5/38510
JM38510/13502SPA	OP07SZ5/38510

### GENERAL DESCRIPTION

This data sheet covers the electrical requirements for a monolithic, low offset voltage, internally-compensated operational amplifier as specified in MIL-M-38510/135 for device type 01 and 02. Devices supplied to this data sheet are manufactured and tested at PMI's MIL-M-38510 certified facility and are listed in QPL-38510.

Complete device requirements will be found in MIL-M-38510 and MIL-M-38510/135 for Class B and Class S processed devices.

### GENERIC CROSS-REFERENCE INFORMATION

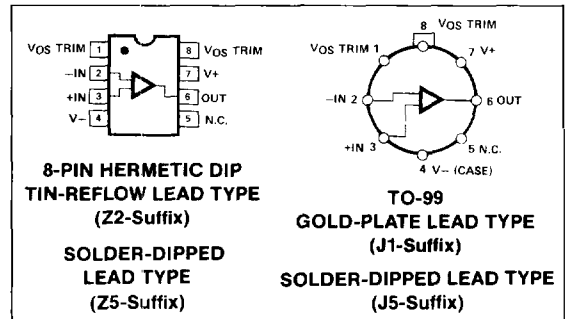
This cross-reference information is presented for the convenience of the user. The generic-industry types listed may not

have identical operational performance characteristics across the military temperature range or reliability factors equivalent to the MIL-M-38510 device.

MILITARY DEVICE TYPE	GENERIC-INDUSTRY TYPE
01	OP07A
02	OP07

For an 833-processed device with improved electrical specifications, review the OP-07 data sheet.

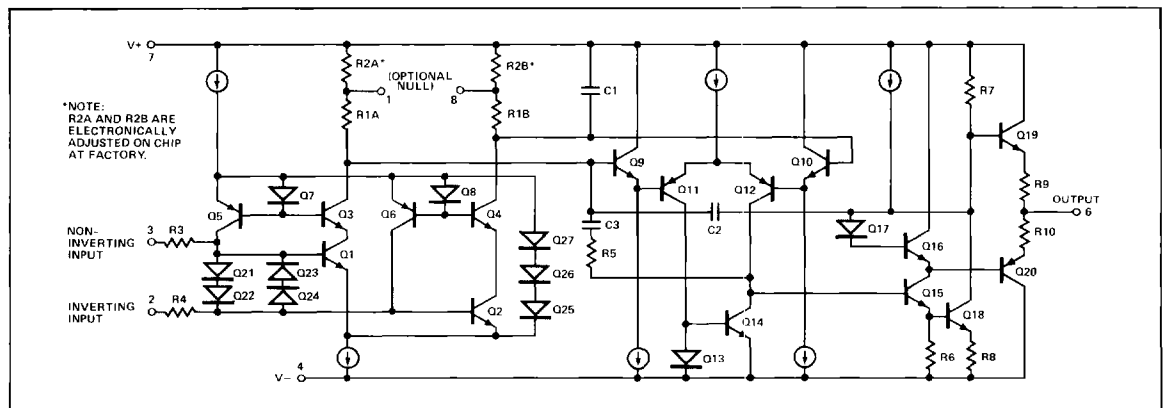
### PIN CONNECTIONS



### POWER AND THERMAL CHARACTERISTICS

Case Outline	Package	Maximum Allowable Power Dissipation	Maximum $\theta_{JC}$	Maximum $\theta_{JA}$
P	Dual-In-Line	208mW @ $T_A = 125^\circ C$	$50^\circ C/W$	$120^\circ C/W$
G	8-Lead CAN	167mW @ $T_A = 125^\circ C$	$40^\circ C/W$	$150^\circ C/W$

### SIMPLIFIED SCHEMATIC



**ABSOLUTE MAXIMUM RATINGS**

Supply Voltage ( $V_{CC}$ )	$\pm 22V$
Input Voltage Range ( $V_{IN}$ )	$\pm V_{CC}$
Differential Input Voltage Range	$\pm 30V$
Output Short-Circuit Duration (Note 1)	
Lead Temperature (Soldering, 60 sec)	$+300^{\circ}C$
Storage Temperature Range	$-65^{\circ}C$ to $+150^{\circ}C$
Junction Temperature ( $T_J$ )	$+150^{\circ}C$
Maximum Power Dissipation ( $P_D$ ) (Note 2)	500mW

**RECOMMENDED OPERATING CONDITIONS**

Supply Voltage Range	$\pm 4.5V$ to $\pm 20V$
Ambient Temperature Range	$-55^{\circ}C$ to $+125^{\circ}C$

**NOTES:**

- Output may be shorted to ground indefinitely at  $V_S = \pm 15V$ ,  $T_A = 25^{\circ}C$ . Temperature and/or supply voltages must be limited to ensure dissipation rating is not exceeded.
- Maximum power dissipation versus ambient temperature.

**ELECTRICAL CHARACTERISTICS at  $\pm 4.5V \leq V_{CC} \leq \pm 20V$  and  $-55^{\circ}C \leq T_A \leq 125^{\circ}C$ ,  $R_S = 50\Omega$  unnullled, unless otherwise noted.**

PARAMETER	SYMBOL	CONDITIONS	01 LIMITS		02 LIMITS		UNITS
			MIN	MAX	MIN	MAX	
Input Offset Voltage	$V_{IO}$	$T_A = 25^{\circ}C$ (Notes 1, 2)	-25 -60	25 60	-75 -200	75 200	$\mu V$
Input Offset Voltage Temperature Sensitivity	$\Delta V_{IO}/\Delta T$	(Note 1)	-0.6	0.6	-1.3	1.3	$\mu V/^{\circ}C$
Input Bias Current	$+I_{IB}$	$T_A = 25^{\circ}C$ (Note 1)	-2 -4	2 4	-3 -6	3 6	nA
	$-I_{IB}$	$T_A = 25^{\circ}C$ (Note 1)	-2 -4	2 4	-3 -6	3 6	
Input Offset Current	$I_{IO}$	$T_A = 25^{\circ}C$ (Note 1)	-2 -4	2 4	-2.8 -5.6	2.8 5.6	nA
	+PSRR	$+V_{CC} = 20V$ to $5V$ , $-V_{CC} = -15V$ $T_A = 25^{\circ}C$	—	10	—	10	
	-PSRR	$+V_{CC} = 15V$ , $-V_{CC} = -20V$ to $-5V$ $T_A = 25^{\circ}C$	—	10	—	10	
	+PSRR	$+V_{CC} = 20V$ to $5V$ , $-V_{CC} = -15V$	—	20	—	20	
	-PSRR	$+V_{CC} = 15V$ , $-V_{CC} = -20V$ to $-5V$	—	20	—	20	
	PSRR	$V_{CC} = \pm 4.5V$ to $\pm 20V$ $T_A = 25^{\circ}C$	—	10	—	10	
Power Supply Rejection Ratio	PSRR	$V_{CC} = \pm 4.5V$ to $\pm 20V$	—	20	—	20	$\mu V/V$

**NOTES:**

- Tested at  $V_{CM} = 0$ ,  $V_{CC} = \pm 15V$ .
- Due to the inherent warm-up drift, testing shall occur no sooner than three (3) minutes after application of power.



OPERATIONAL AMPLIFIERS/BUFFERS



**ELECTRICAL CHARACTERISTICS** at  $\pm 4.5V \leq V_{CC} \leq \pm 20V$  and  $-55^\circ C \leq T_A \leq +125^\circ C$ ,  $R_S = 50\Omega$  unnullled, unless otherwise noted. *Continued*

PARAMETER	SYMBOL	CONDITIONS	01 LIMITS		02 LIMITS		UNITS	
			MIN	MAX	MIN	MAX		
Common-Mode Rejection Ratio	CMRR	$V_{CM} = \pm 13V, T_A = +25^\circ C, V_{CC} = \pm 15V$	110	-	110	-	dB	
		$V_{CM} = \pm 13V, V_{CC} = \pm 15V$	106	-	106	-		
Adjustment for Input Offset	$V_{IO} \text{ Adj (+)}$	$T_A = +25^\circ C$ (Note 1)	0.5	-	0.5	-	mV	
	$V_{IO} \text{ Adj (-)}$	$T_A = +25^\circ C$ (Note 1)	-	0.5	-	0.5		
Output Short-Circuit Current	$I_{OS(+)}$	$t \leq 25ms$ (Notes 1, 3)	$T_A = +25^\circ C, +125^\circ C$ -65	-	-65	-	mA	
			$T_A = -55^\circ C$ -70	-	-70	-		
	$I_{OS(-)}$	$t \leq 25ms$ (Notes 1, 3)	$T_A = +25^\circ C, +125^\circ C$ -	65	-	65		
			$T_A = -55^\circ C$ -	70	-	70		
Supply Current	$I_{CC}$	$T_A = +25^\circ C$ (Note 1)	-	4	-	4	mA	
			-	5	-	5		
Output Voltage Swing (Minimum)	$V_{OP}$	$R_L = 1k\Omega$ (Note 1)	-10	10	-10	10	V	
		$R_L = 2k\Omega$ (Note 1)	-12	12	-12	12		
Open-Loop Voltage Gain (Single-Ended)	$A_{VS}$	$T_A = +25^\circ C$ (Notes 1, 2)	300	-	200	-	V/mV	
			200	-	150	-		
Slew Rate	$SR(+), SR(-)$	$V_{IN} = 10V, T_A = +25^\circ C$ , (Note 1)	0.08	-	0.08	-	V/ $\mu s$	
Input Noise Voltage Density	$e_n$	$T_A = +25^\circ C$ (Note 1)	$f_O = 10Hz$	-	18	-	18	nV/ $\sqrt{Hz}$
			$f_O = 100Hz$	-	14	-	14	
			$f_O = 1kHz$	-	12	-	12	
Low Frequency Input Noise Voltage	$e_{np-p}$	$f = 0.1Hz$ to $10Hz, T_A = 25^\circ C$ , (Note 1)	-	0.6	-	0.6	$\mu V_{p-p}$	

**NOTES:**

1. Tested at  $V_{CM} = 0, V_{CC} = \pm 15V$ .
2.  $V_{OUT} = 0$  to  $+10V$  for  $A_{VS(+)}$  and  $V_{OUT} = 0$  to  $-10V$  for  $A_{VS(-)}$ ;  $R_L = 2k\Omega$ .
3. Continuous short-circuit limits are considerably less than the indicated test limits, since maximum power dissipation cannot be exceeded.