

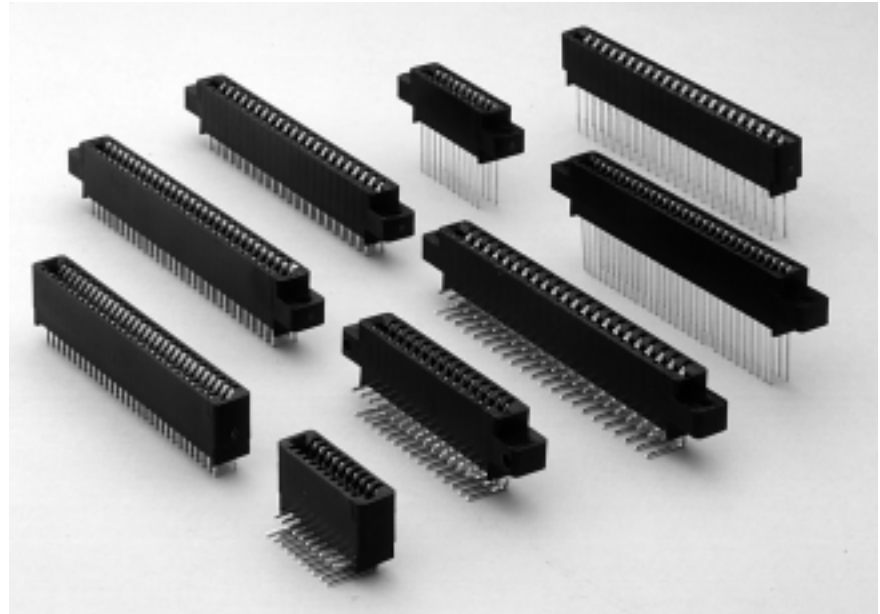
DESCRIPTION/APPLICATION

The Holmberg® line of modified bellows cardedge connectors are dual readout and are designed for reliable termination to double sided PCB boards.

DESIGN ADVANTAGES

- Sizes from 6 to 65 dual positions.
- Contact mating surface optimizes reliability by concentrating the normal force in the actual contact area.
- Mounting ear options accommodate both Panel and PC Board attachment.
- Solder stand-offs facilitate cleaning.
- Bifurcated contact design provides redundant points of contact to maximize reliability.
- Tail lengths available to accommodate .062" through .125" thick PCB Boards and Wire Wrap termination.
- Straight or Right Angle contact configurations.

HOLMBERG® MODIFIED BELLOWS CARDEDGE CONNECTORS



Bifurcated contact design provides maximum reliability

**.156" CENTERLINE
.200" ROW-TO-ROW
STRAIGHT DIP SOLDER
AND WIRE WRAP TAILS**



PHYSICAL PROPERTIES

INSULATION RESISTANCE: 5000 megohms minimum.
INSERTION/WITHDRAWAL FORCE (DAUGHTER CARD):
 8 oz./2oz. average contact pair using .0620 steel blade.
INSULATOR BODY: Glass filled thermoplastic,
 UL rating 94V-O. High temp. plastic option is
 available; add suffix M399 to catalog number.
COLOR: Black
CONTACTS: High strength copper alloy.
CONTACT PLATING: 50 microinches nickel
 underplate with 30 microinches gold in the mating
 area, tin/lead on tails, 100 microinches minimum

ELECTRICAL PROPERTIES

OPERATION VOLTAGE: 1500 VDC (sea level)
CURRENT RATING: 3 Amperes
INITIAL CONTACT RESISTANCE: 10 milliohms

ENVIRONMENTAL PROPERTIES

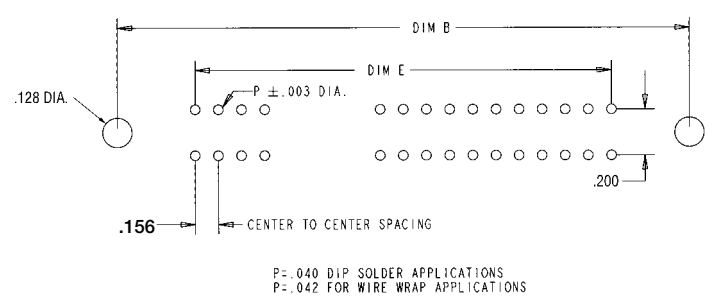
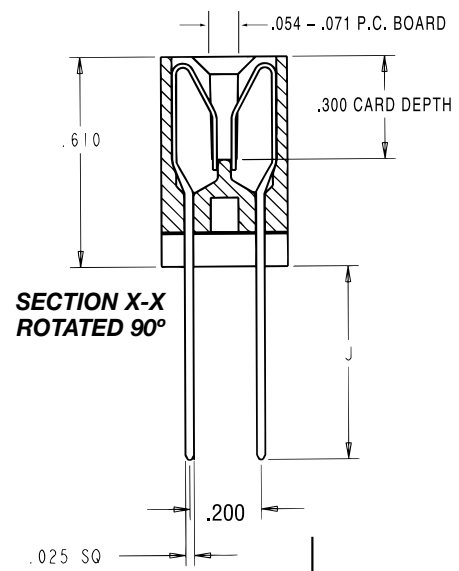
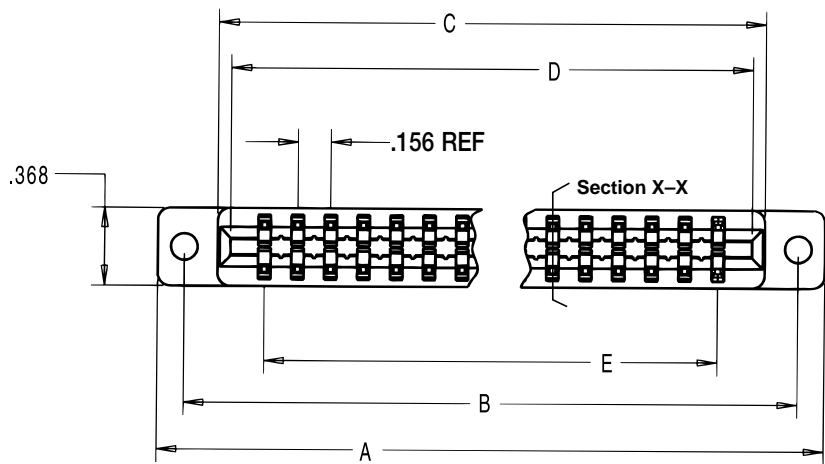
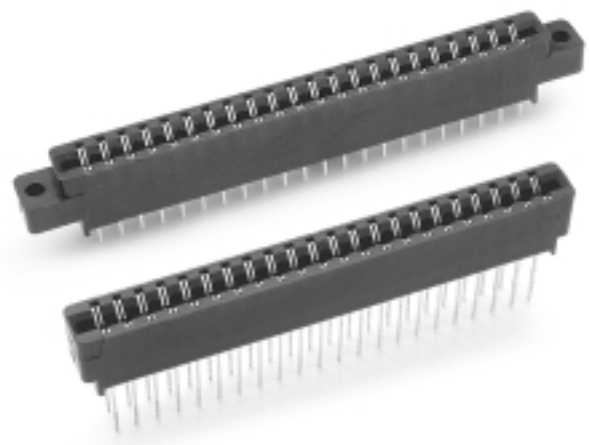
OPERATING TEMPERATURE: -55°C to +125°C
TEMPERATURE CYCLING: MIL-STD-202 method 107
VIBRATION: MIL-STD-202 method 204

ACCESSORIES

POLARIZATION KEY: Cat. # 98014-01,
 see page 346

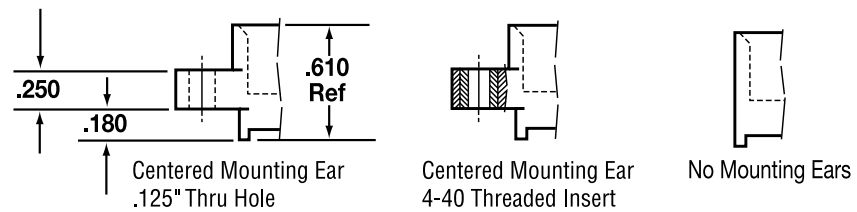
DAUGHTER CARD

See page 347 for layout



P = .040 DIP SOLDER APPLICATIONS
 P = .042 FOR WIRE WRAP APPLICATIONS

Mounting Styles



ORDERING INFORMATION –

.156" CENTERLINE / .200" ROW-TO-ROW

NO. OF DUAL READOUT POSITIONS	CENTERED MOUNTING EAR .125" THRU HOLE	MOUNTING EAR OPTIONS			A	B	C	D	E
		CENTERED MOUNTING EAR 4-40 THREADED INSERT	NO MOUNTING EARS						
TAIL LENGTH .160" (DIM "J")									
06	A6D06DS29A2	A6D06DS29B2	A6D06DS29C2	1.784	1.534	1.221	1.100	0.780	
10	A6D10DS29A2	A6D10DS29B2	A6D10DS29C2	2.408	2.158	1.845	1.724	1.404	
12	A6D12DS29A2	A6D12DS29B2	A6D12DS29C2	2.720	2.470	2.157	2.036	1.716	
15	A6D15DS29A2	A6D15DS29B2	A6D15DS29C2	3.188	2.938	2.625	2.504	2.184	
18	A6D18DS29A2	A6D18DS29B2	A6D18DS29C2	3.656	3.406	3.093	2.972	2.652	
22	A6D22DS29A2	A6D22DS29B2	A6D22DS29C2	4.280	4.030	3.717	3.596	3.276	
25	A6D25DS29A2	A6D25DS29B2	A6D25DS29C2	4.748	4.498	4.185	4.064	3.744	
28	A6D28DS29A2	A6D28DS29B2	A6D28DS29C2	5.216	4.966	4.653	4.532	4.212	
36	A6D36DS29A2	A6D36DS29B2	A6D36DS29C2	6.464	6.214	5.901	5.780	5.460	
43	A6D43DS29A2	A6D43DS29B2	A6D43DS29C2	7.556	7.306	6.993	6.872	6.552	
TAIL LENGTH .220" (DIM "J")									
06	A6D06DS29A3	A6D06DS29B3	A6D06DS29C3	1.784	1.534	1.221	1.100	0.780	
10	A6D10DS29A3	A6D10DS29B3	A6D10DS29C3	2.408	2.158	1.845	1.724	1.404	
12	A6D12DS29A3	A6D12DS29B3	A6D12DS29C3	2.720	2.470	2.157	2.036	1.716	
15	A6D15DS29A3	A6D15DS29B3	A6D15DS29C3	3.188	2.938	2.625	2.504	2.184	
18	A6D18DS29A3	A6D18DS29B3	A6D18DS29C3	3.656	3.406	3.093	2.972	2.652	
22	A6D22DS29A3	A6D22DS29B3	A6D22DS29C3	4.280	4.030	3.717	3.596	3.276	
25	A6D25DS29A3	A6D25DS29B3	A6D25DS29C3	4.748	4.498	4.185	4.064	3.744	
28	A6D28DS29A3	A6D28DS29B3	A6D28DS29C3	5.216	4.966	4.653	4.532	4.212	
36	A6D36DS29A3	A6D36DS29B3	A6D36DS29C3	6.464	6.214	5.901	5.780	5.460	
43	A6D43DS29A3	A6D43DS29B3	A6D43DS29C3	7.556	7.306	6.993	6.872	6.552	
TAIL LENGTH .560" (DIM "J") FOR WIRE WRAP TERMINATION									
06	A6D06WW29A3	A6D06WW29B3	-	1.784	1.534	1.221	1.100	0.780	
10	A6D10WW29A3	A6D10WW29B3	-	2.408	2.158	1.845	1.724	1.404	
12	A6D12WW29A3	A6D12WW29B3	-	2.720	2.470	2.157	2.036	1.716	
15	A6D15WW29A3	A6D15WW29B3	-	3.188	2.938	2.625	2.504	2.184	
18	A6D18WW29A3	A6D18WW29B3	-	3.656	3.406	3.093	2.972	2.652	
22	A6D22WW29A3	A6D22WW29B3	-	4.280	4.030	3.717	3.596	3.276	
25	A6D25WW29A3	A6D25WW29B3	-	4.748	4.498	4.185	4.064	3.744	
28	A6D28WW29A3	A6D28WW29B3	-	5.216	4.966	4.653	4.532	4.212	
36	A6D36WW29A3	A6D36WW29B3	-	6.464	6.214	5.901	5.780	5.460	
43	A6D43WW29A3	A6D43WW29B3	-	7.556	7.306	6.993	6.872	6.552	

**.156" CENTERLINE
RIGHT ANGLE
DIP SOLDER TAILS
.200" ROW-TO-ROW
.150" ROW-TO-ROW**



PHYSICAL PROPERTIES

INSULATION RESISTANCE: 5000 megohms minimum.
INSERTION/WITHDRAWAL FORCE (DAUGHTER CARD): 8 oz./2oz. average contact pair using .0620 steel test blade.
INSULATOR BODY: Glass filled thermoplastic, UL rating 94V-O. High temp. plastic option is available; add suffix M399 to catalog number.
COLOR: Black
CONTACTS: High strength copper alloy.
CONTACT PLATING: 50 microinches nickel underplate with 30 microinches gold in the mating area, tin/lead on tails, 100 microinches minimum

ELECTRICAL PROPERTIES

OPERATION VOLTAGE: 1500 VDC (sea level)
CURRENT RATING: 3 Amperes
INITIAL CONTACT RESISTANCE: 10 milliohms

ENVIRONMENTAL PROPERTIES

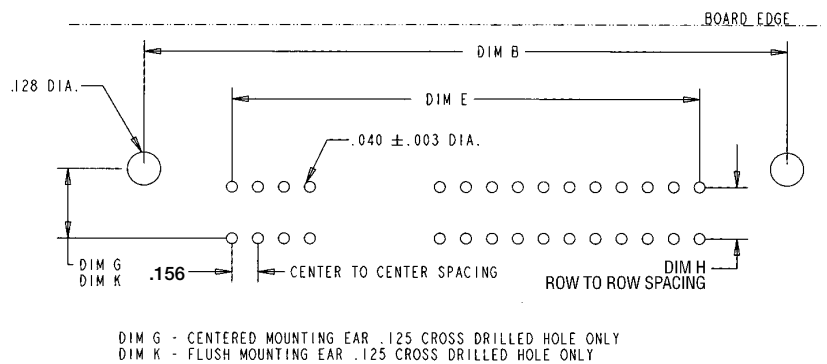
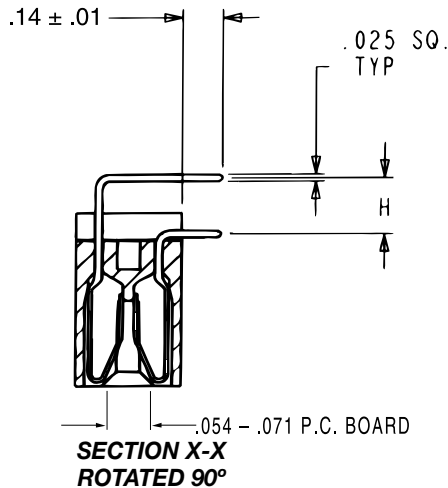
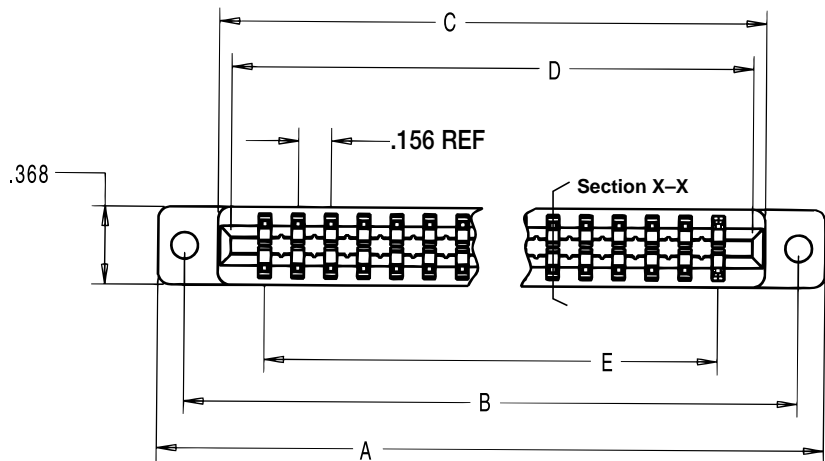
OPERATING TEMPERATURE: -55°C to +125°C
TEMPERATURE CYCLING: MIL-STD-202 method 107
VIBRATION: MIL-STD-202 method 204

ACCESSORIES

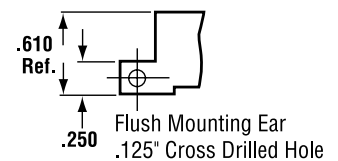
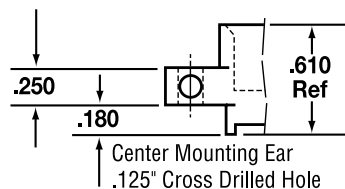
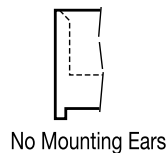
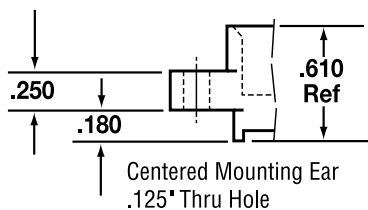
POLARIZATION KEY: Cat. # 98014-01, see page 346

DAUGHTER CARD

See page 347 for layout



Mounting Styles



ORDERING INFORMATION –

.156" CENTERLINE

NO. OF DUAL READOUT POSITIONS	MOUNTING EAR OPTIONS				A	B	C	D	E	CENTERED MOUNTING EAR ONLY G	FLUSH MOUNTING EAR ONLY K
	CENTERED MOUNTING EAR .125" THRU HOLE	NO MOUNTING EARS	CENTERED MOUNTING EAR .125" CROSS-DRILLED HOLE	FLUSH MOUNTING EAR .125" CROSS-DRILLED HOLE							
.200" ROW-TO-ROW (DIM. "H") SPACING											
06	A6D06RA29A	A6D06RA29C	A6D06RA29E	A6D06RA29F	1.784	1.534	1.221	1.100	0.780	0.470	0.290
10	A6D10RA29A	A6D10RA29C	A6D10RA29E	A6D10RA29F	2.408	2.158	1.845	1.724	1.404	0.470	0.290
12	A6D12RA29A	A6D12RA29C	A6D12RA29E	A6D12RA29F	2.720	2.470	2.157	2.036	1.716	0.470	0.290
15	A6D15RA29A	A6D15RA29C	A6D15RA29E	A6D15RA29F	3.188	2.938	2.625	2.504	2.184	0.470	0.290
18	A6D18RA29A	A6D18RA29C	A6D18RA29E	A6D18RA29F	3.656	3.406	3.093	2.972	2.652	0.470	0.290
22	A6D22RA29A	A6D22RA29C	A6D22RA29E	A6D22RA29F	4.280	4.030	3.717	3.596	3.276	0.470	0.290
25	A6D25RA29A	A6D25RA29C	A6D25RA29E	A6D25RA29F	4.748	4.498	4.185	4.064	3.744	0.470	0.290
28	A6D28RA29A	A6D28RA29C	A6D28RA29E	A6D28RA29F	5.216	4.966	4.653	4.532	4.212	0.470	0.290
36	A6D36RA29A	A6D36RA29C	A6D36RA29E	A6D36RA29F	6.464	6.214	5.901	5.780	5.460	0.470	0.290
40	A6D40RA29A	A6D40RA29C	A6D40RA29E	A6D40RA29F	7.088	6.838	6.525	6.404	6.084	0.470	0.290
43	A6D43RA29A	A6D43RA29C	A6D43RA29E	A6D43RA29F	7.556	7.306	6.993	6.872	6.552	0.470	0.290
.150" ROW-TO-ROW (DIM. "H") SPACING											
06	A6D06RA29AM233	A6D06RA29CM233	A6D06RA29EM233	A6D06RA29FM233	1.784	1.534	1.221	1.100	0.780	0.420	0.240
10	A6D10RA29AM233	A6D10RA29CM233	A6D10RA29EM233	A6D10RA29FM233	2.408	2.158	1.845	1.724	1.404	0.420	0.240
12	A6D12RA29AM233	A6D12RA29CM233	A6D12RA29EM233	A6D12RA29FM233	2.720	2.470	2.157	2.036	1.716	0.420	0.240
15	A6D15RA29AM233	A6D15RA29CM233	A6D15RA29EM233	A6D15RA29FM233	3.188	2.938	2.625	2.504	2.184	0.420	0.240
18	A6D18RA29AM233	A6D18RA29CM233	A6D18RA29EM233	A6D18RA29FM233	3.656	3.406	3.093	2.972	2.652	0.420	0.240
22	A6D22RA29AM233	A6D22RA29CM233	A6D22RA29EM233	A6D22RA29FM233	4.280	4.030	3.717	3.596	3.276	0.420	0.240
25	A6D25RA29AM233	A6D25RA29CM233	A6D25RA29EM233	A6D25RA29FM233	4.748	4.498	4.185	4.064	3.744	0.420	0.240
28	A6D28RA29AM233	A6D28RA29CM233	A6D28RA29EM233	A6D28RA29FM233	5.216	4.966	4.653	4.532	4.212	0.420	0.240
36	A6D36RA29AM233	A6D36RA29CM233	A6D36RA29EM233	A6D36RA29FM233	6.464	6.214	5.901	5.780	5.460	0.420	0.240
40	A6D40RA29AM233	A6D40RA29CM233	A6D40RA29EM233	A6D40RA29FM233	7.088	6.838	6.525	6.404	6.084	0.420	0.240
43	A6D43RA29AM233	A6D43RA29CM233	A6D43RA29EM233	A6D43RA29FM233	7.556	7.306	6.993	6.872	6.552	0.420	0.240