

# ELM SERIES PART NUMBERING SCHEME

REV	ECN	APPD
A	3891	JEC 12/22/99
B	5742	RN 12/28/05

ELM

NUMBER OF POSITIONS  
(ASSEMBLIES COMPRISED OF TWO  
AND/OR THREE POS MODULES)

STYLE  
1=HORIZONTAL WIRE ENTRY  
3=ANGLED WIRE ENTRY  
9=VERTICAL WIRE ENTRY

CENTERLINE SPACING

1 = .197" (5MM)  
2 = .200"  
3 = .394" (10MM) W/ PLUG INSERT, CONTACT LEADING  
4 = .400" W/ PLUG INSERT, CONTACT LEADING  
5 = .394" (10MM) W/ PLUG INSERT, PLUG LEADING  
6 = .400" W/ PLUG INSERT, PLUG LEADING

OPTIONS  
00=BLACK (STANDARD)  
0G=GREEN

CONSULT PCD FOR PART NO. AND  
AVAILABILITY OF FOLLOWING OPTIONS:  
- CUSTOM COLORS  
- CUSTOM MARKING  
- LOCK-DOWN EARS



**RATINGS**

CURRENT - 10A  
VOLTAGE - 300V, 600V\*  
U.L. FILE NO. E83421



**RATINGS**

CURRENT - 10A  
VOLTAGE - 300V, 600V\*  
CSA FILE NO. LR69703

DIN VDE 0627:1986  
DIN VDE 0110-1:1989  
EN 60947-1:1991  
EN 60947-7-1:1992

CURRENT - N/A  
VOLTAGE - N/A  
TUV FILE NO. N/A

\* PENDING  
CL SPACING CODE:  
3, 4, 5, 6

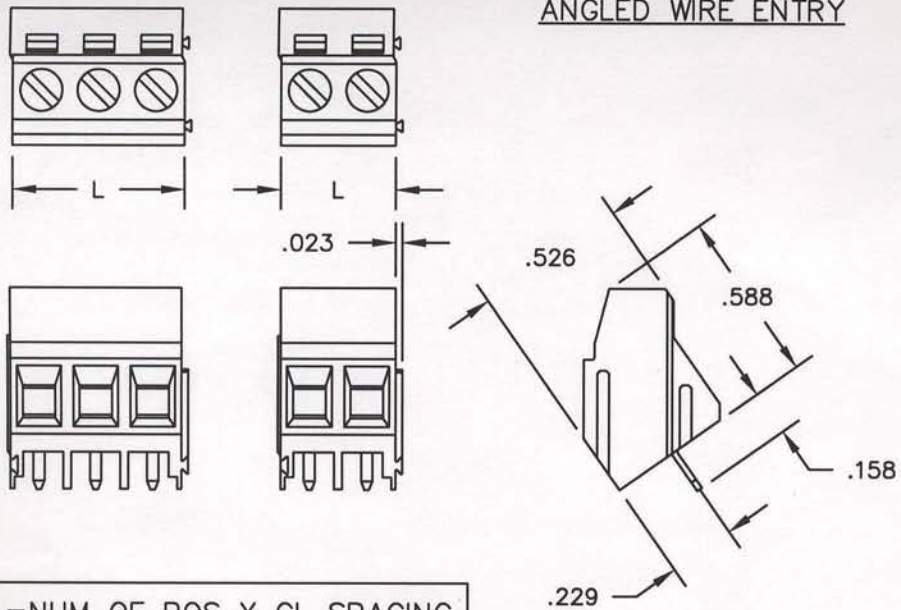
INSTALLATION  
RECOMMENDATIONS:  
WIRE RANGE: AWG #12-28  
WIRE STRIP LENGTH: .250"  
TIGHTENING TORQUE: 7 LB-IN.

MATERIALS:  
HOUSING: PBT, UL 94 V-0  
CONTACT: BRASS, TIN FINISH  
SCREW: COPPER ALLOY, NICKEL FINISH  
WIRE CLAMP: COPPER ALLOY, NICKEL FINISH

MAX OPERATING TEMPERATURE:  
105°C

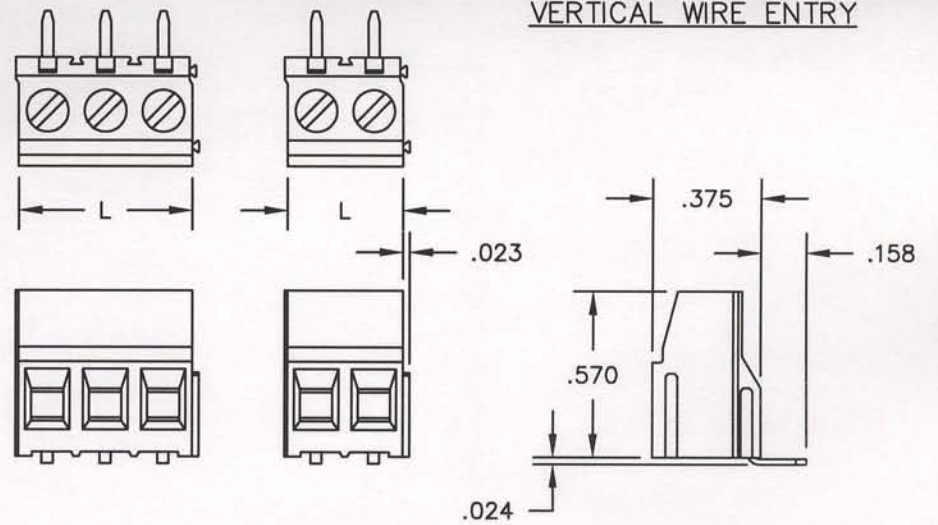
DIMENSIONS ANSI Y14.5M UNITS: INCHES ACAD FILE	TOLERANCES .XX ±.01 .XXX ±.005 ANGLES ±2°	PROJECTION 	<b>Amphenol Pcd</b> SPECIFICATION DRAWING		TITLE  ELM SERIES TERMINAL BLOCK BOARD MOUNT		
			ENGR J. WILKINSON 12/22/99				
ORIGINAL STAMPED IN RED	THIS DOCUMENT CONTAINS PROPRIETARY INFORMATION WHICH IS THE CONFIDENTIAL PROPERTY OF AMPHENOL PCD INC. PEABODY, MA		CHKD A. PATRIE 12/8/98		SIZE A	DWG NO. ELM021100	REV B
			APPD J. CAHALY 12-11-98		CODE: 58982	SCALE: NONE	SHEET 1 OF 3

ANGLED WIRE ENTRY



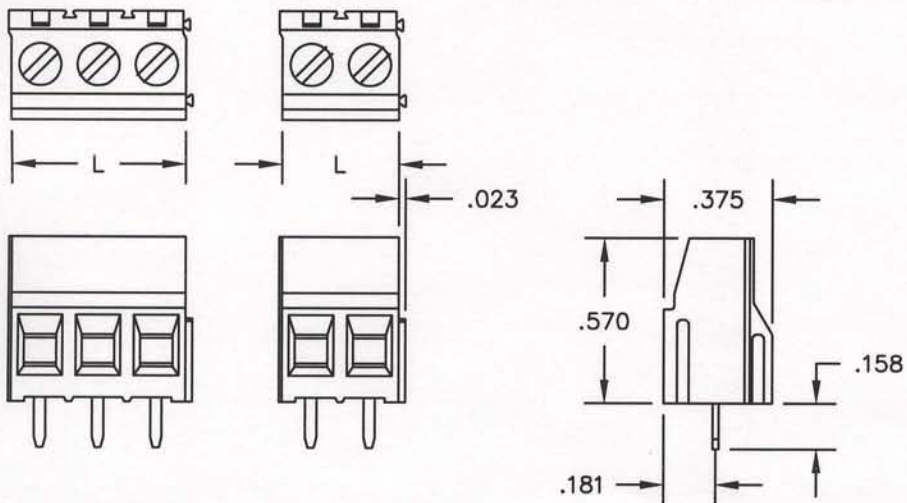
L=NUM OF POS X CL SPACING

VERTICAL WIRE ENTRY



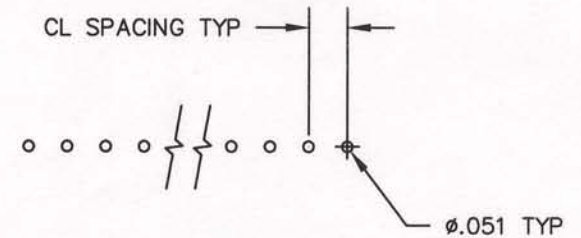
L=NUM OF POS X CL SPACING

HORIZONTAL WIRE ENTRY



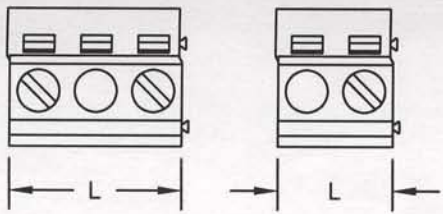
L=NUM OF POS X CL SPACING

PRINTED CIRCUIT BOARD CONFIGURATION



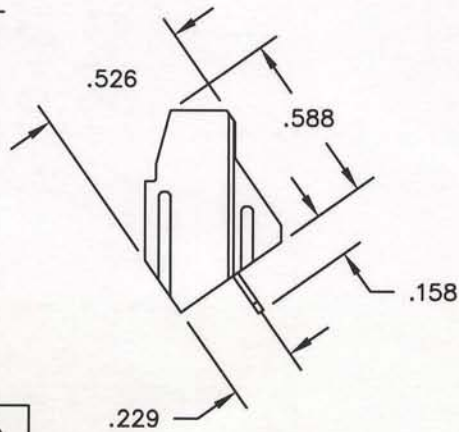
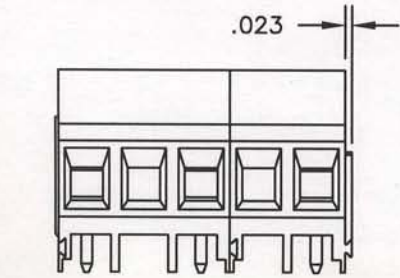
RECOMMENDED PCB THICKNESS: .062±.008

SIZE	DWG NO.	REV
A	ELM021100	B
CODE: 58982	SCALE: NONE	SHEET 2 OF 3

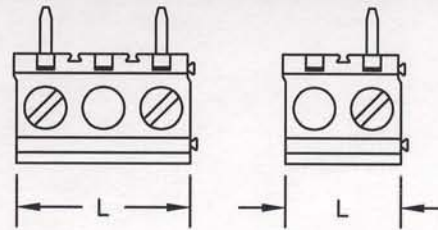


ANGLED WIRE ENTRY

.400" / 10MM CL

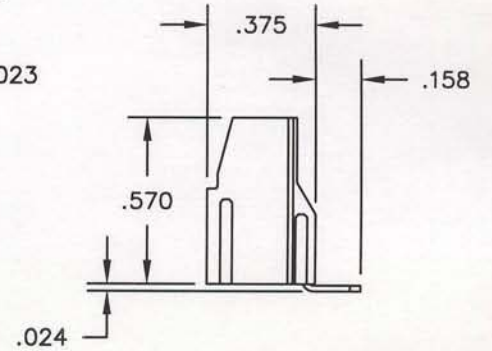
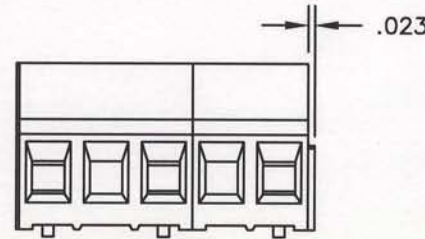


$L = \text{NUM OF POS} \times \text{CL} - \text{CL}/2$

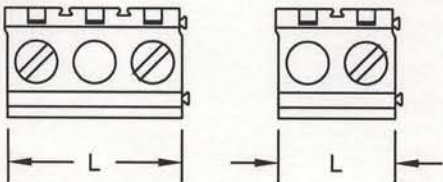


VERTICAL WIRE ENTRY

.400" / 10MM CL

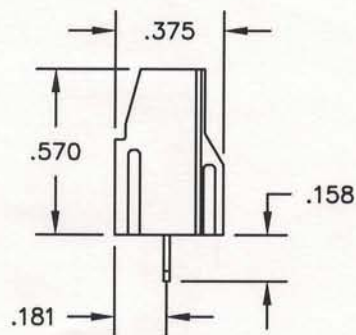
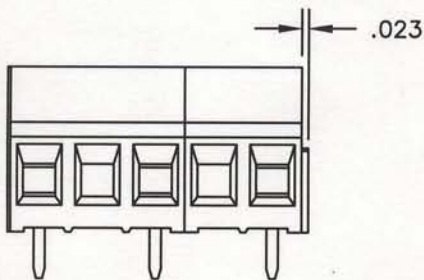


$L = \text{NUM OF POS} \times \text{CL} - \text{CL}/2$



HORIZONTAL WIRE ENTRY

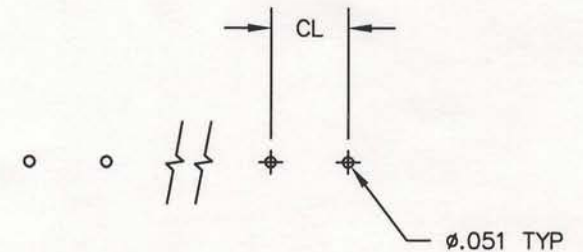
.400" / 10MM CL



$L = \text{NUM OF POS} \times \text{CL} - \text{CL}/2$

PRINTED CIRCUIT BOARD CONFIGURATION

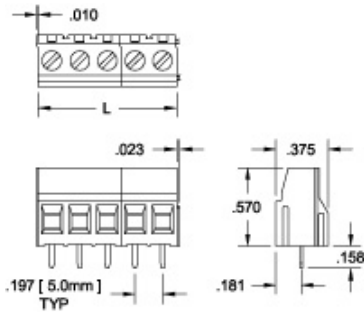
.400" / 10MM CL



RECOMMENDED PCB THICKNESS: .062±.008

SIZE	DWG NO.	REV
A	ELM021100	B
CODE: 58982	SCALE: NONE	SHEET 3 OF 3

## 5.0mm (.197") ELM Horizontal Assembled -to- Size



Download part [PDF File](#)

Download part [DXF File](#)

Pos	Catalog # Black	Catalog # Green	L (mm)
<b>ELM Modules</b>			
2	ELM021100	ELM02110G10.0	
3	ELM031100	ELM03110G15.0	
<b>ELM Assemblies</b>			
4	ELM041100	ELM04110G20.0	
5	ELM051100	ELM05110G25.0	
6	ELM061100	ELM06110G30.0	
7	ELM071100	ELM07110G35.0	
8	ELM081100	ELM08110G40.0	
9	ELM091100	ELM09110G45.0	
10	ELM101100	ELM10110G50.0	
11	ELM111100	ELM11110G 55.0	
12	ELM121100	ELM12110G60.0	
13	ELM131100	ELM13110G65.0	
14	ELM141100	ELM14110G70.0	
15	ELM151100	ELM15110G75.0	
16	ELM161100	ELM16110G80.0	
17	ELM171100	ELM17110G85.0	
18	ELM181100	ELM18110G90.0	
19	ELM191100	ELM19110G95.0	
20	ELM201100	ELM20110G100.0	

[Variations](#)

[Marking](#)

[Product Line Overview](#)

ELM 5.0mm spacing wire-to-board moving cage clamp terminal blocks are available in vertical, horizontal and angled wire entry variations.

### Interlocking Modules

The ELM family consists of precision molded 2- and 3-position screw termination modules with interlocking dovetails. Modules can be joined without loss of pin spacing, giving users the option of purchasing and stocking only the 2- and 3-position modules—and assembling to size in-house—in order to minimize inventory and maintain flexibility; or ordering product already assembled to size.

### Options and Variations

ELM terminations are available in black or green.

Contact Amphenol Pcd for information on marking, hold-down mounting ears and other application-specific variations.

### SPECIFICATIONS:

Current Rating: 15A  
 Operating Voltage: 300V  
 Insulation Resistance: >105 Megohms  
 Dielectric Withstanding: <3000V  
 Wire Pullout Force:  
 Per UL 486E, Section 14

### MATERIALS:

Housing: PBT, UL 94V-0, black or green  
 Contact: Brass, tin-lead finish  
 Clamp Screw: Copper alloy, nickel finish  
 Wire clamp: Copper alloy, nickel finish

### INSTALLATION:

Wire Range: 12-28 AWG  
 Wire Strip Length: .250"  
 Recommended Tightening Torque:  
 7 lb-in. (0.79N-m)  
 Hole Diameter: .051 min.

**APPROVALS:**  
TUV    CE

Consult factory for specific product  
recognitions .

[Back to Home Page](#)

© Amphenol Pcd