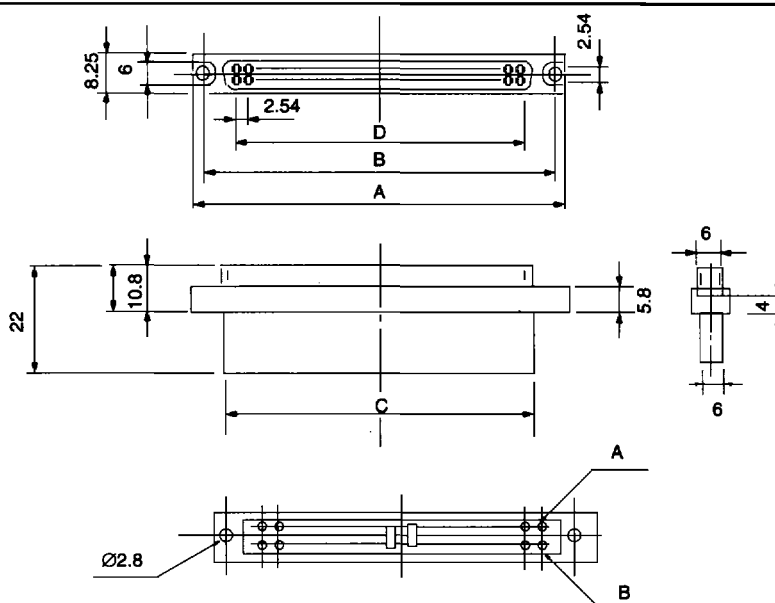
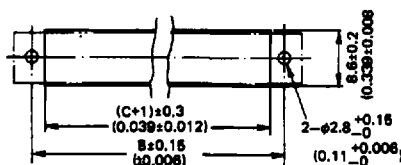


FCN-363J***-A □ HOUSING FOR CRIMP CONTACT

DIMENSIONS



RECOMMENDED PANEL LAYOUT



4

PART NUMBERS

Number of Contacts	Part numbers	Dimensions (mm)			
		A	B	C	D
8	FCN-363J008-AU	28.84	23.34	12.84	7.62
	FCN-363J008-AG				
16	FCN-363J016-AU	39.0	33.5	22.98	17.78
	FCN-363J016-AG				
24	FCN-363J024-AU	49.16	43.66	33.14	27.94
	FCN-363J024-AG				
32	FCN-363J032-AU	59.32	53.82	48.3	38.1
	FCN-363J032-AG				
40	FCN-363J040-AU	69.48	63.98	53.46	48.26
	FCN-363J040-AG				
48	FCN-363J048-AU	79.64	74.14	63.62	58.42
	FCN-363J048-AG				
56	FCN-363J056-AU	89.8	84.3	73.78	68.58
	FCN-363J056-AG				
64	FCN-363J064-AU	99.96	94.46	83.94	78.74
	FCN-363J064-AG				

Note: Designate AG for silver plating or AU for gold over palladium plating