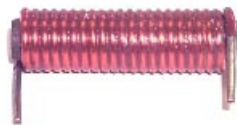


CUSTOM INDUCTIVE PRODUCTS

CH SERIES

RADIAL LEAD

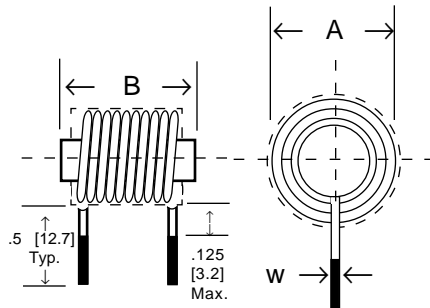
HIGH CURRENT FILTER CHOKES



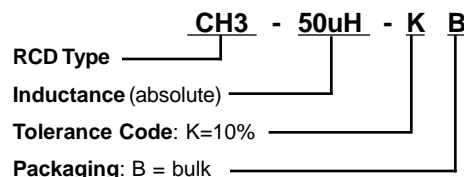
FEATURES

- Low cost!
- ±10% standard inductance tolerance
- 3 Amp and 3 Amp models are standard (available up to 20 Amp)
- Pre-tinned leads for plug-in PCB mounting
- Temperature Rating: -55°C to +105°C
- Vertical mount style available
- Non-standard values and tolerances available
- Varnish or shrink tube insulation available

Type	Induc. (1 KHz)	Rated Current	DCR Max. (ohm)	SRF MHz (Min.)	DIMENSIONS			
					A (Max.)	B (Max.)	F±.062 [1.6]	W±.004 [.1]
CH3	5µH	3A	.015	40	.625 [15.9]	.875 [22.2]	.500 [12.7]	.040 [1.02]
	10µH	3A	.018	25	.625 [15.9]	1.125 [28.6]	.687 [17.4]	.040 [1.02]
	27µH	3A	.035	8	.812 [20.6]	.875 [22.2]	.437 [11.1]	.040 [1.02]
	50µH	3A	.050	5	.812 [20.6]	1.125 [28.6]	.750 [19.1]	.040 [1.02]
	100µH	3A	.065	2.5	.812 [20.6]	1.375 [34.9]	.937 [23.8]	.040 [1.02]
	150µH	3A	.075	2	.812 [20.6]	1.375 [34.9]	1.062 [27]	.040 [1.02]
270µH	3A	.095	1	.812 [20.6]	1.625 [41.3]	1.312 [33.3]	.040 [1.02]	
CH5	5µH	5A	.012	30	.640 [16.3]	1.125 [28.6]	.750 [19.1]	.054 [1.4]
	10µH	5A	.015	20	.640 [16.3]	.875 [22.2]	1.000 [25.4]	.054 [1.4]
	27µH	5A	.025	7	.640 [16.3]	.875 [22.2]	.562 [14.3]	.054 [1.4]
	50µH	5A	.030	4	.875 [22.2]	1.125 [28.6]	.750 [19.1]	.054 [1.4]
	68µH	5A	.054	3.5	.875 [22.2]	1.125 [28.6]	.875 [22.2]	.054 [1.4]
	100µH	5A	.050	2.5	.875 [22.2]	1.375 [34.9]	1.000 [25.4]	.054 [1.4]
	150µH	5A	.060	2	.875 [22.2]	1.625 [41.3]	1.250 [31.8]	.054 [1.4]



P/N DESIGNATION:



CA SERIES

AXIAL LEAD

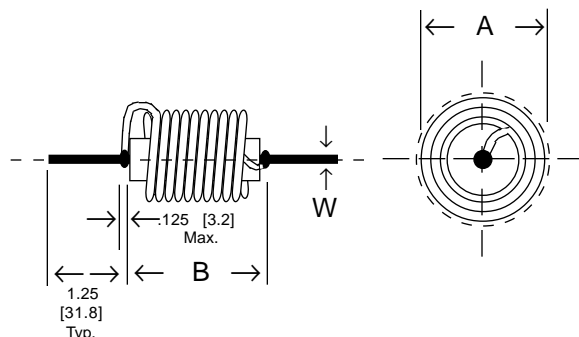
HIGH CURRENT FILTER CHOKES



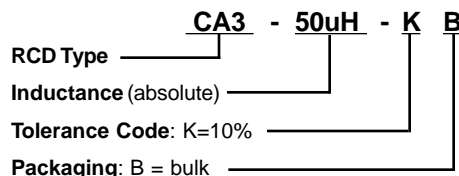
FEATURES

- Low cost!
- ±10% standard inductance tolerance (non-standard values and tolerances available)
- Available on Tape & Reel
- Increased current ratings available
- Varnish or shrink tube insulation available
- Temperature Rating: -55°C to 105°C

Type	Induc. (1 KHz)	Rated Current	DCR Max. (ohm)	SRF MHz (Min.)	DIMENSIONS		
					A (Max.)	B (Max.)	W±.004 [.1]
CA1	27µH	1A	.13	5	.400 [10.2]	.875 [22.2]	.032 [.81]
	50µH	1A	.17	4	.400 [10.2]	1.125 [28.6]	.032 [.81]
	100µH	1A	.25	2	.475 [12.1]	.875 [22.2]	.032 [.81]
	270µH	1A	.50	1	.475 [12.1]	.875 [22.2]	.032 [.81]
	470µH	1A	.56	.8	.550 [14.0]	1.125 [28.6]	.032 [.81]
	680µH	1A	.74	.7	.550 [14.0]	1.125 [28.6]	.032 [.81]
CA2	27µH	2A	.085	5.5	.475 [12.1]	1.05 [26.7]	.032 [.81]
	50µH	2A	.135	4	.550 [14.0]	1.125 [28.6]	.032 [.81]
	100µH	2A	.155	2	.550 [14.0]	1.125 [28.6]	.032 [.81]
	270µH	2A	.300	1	.550 [14.0]	1.125 [28.6]	.032 [.81]
CA3	5µH	3	.02	25	.475 [12.1]	.875 [22.2]	.032 [.81]
	10µH	3	.035	20	.475 [12.1]	.875 [22.2]	.032 [.81]
	27µH	3	.07	6	.550 [14.0]	1.125 [28.6]	.032 [.81]
	50µH	3	.075	4	.550 [14.0]	1.125 [28.6]	.032 [.81]
100µH	3	.125	2	.550 [14.0]	1.125 [28.6]	.032 [.81]	



P/N DESIGNATION:



RCD Components Inc., 520 E. Industrial Park Dr., Manchester, NH USA 03109

Tel: (603) 669-0054 Fax: (603) 669-5455 E-mail: rcdcompinc@aol.com www.rcd-comp.com

FAXxxx specifications subject to change without notice