

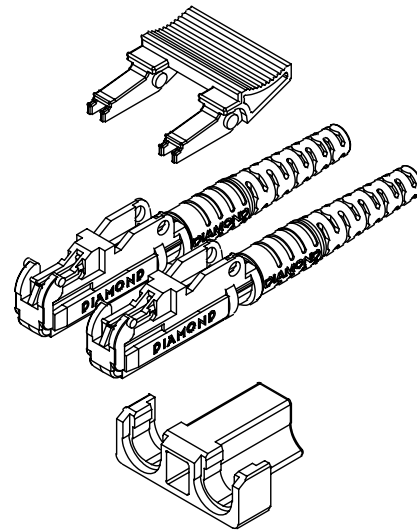
# DIAMOND

## Fiber Optic Components

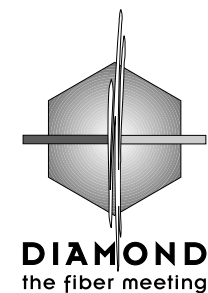
The unique, user-friendly features of the Diamond E-2000™ connector, coupled with its rapid and enthusiastic worldwide acceptance, have prompted the development of a duplex version of this product. The E-2000™ Duplex connector is a natural extension of the current product. Through the use of a simple clip-bridge and an extended thumb-latch, it offers the same renowned performance and stability as the single fiber version. Furthermore, it uses common components and can be terminated using existing tooling.

Similar to single fibre the E-2000™ Duplex features the following highlights:

- Injection molded housing (UL 94 V0 flammability rating)
- Positive latching mechanism with interchangeable, color-coded thumb-latch
- Spring-loaded shutters
- Integrated protective caps
- Guiding tracks
- Interchangeable color-coded mating adapter frames
- Compact, rectangular footprint; push-pull design
- Existing components can be upgraded to duplex through the use of a simple clip-bridge and an extended thumb-latch
- Two-component ferrule



The E-2000™ Duplex connector is available in multimode, single mode convex polished (PC) and 8° angle polished (APC) version.



DIAMOND SA  
Via dei Patrizi 5  
CH-6616 LOSONE  
Tel. ++41-91/785 45 45  
Fax ++41-91/785 45 00  
e-mail: info@diamond-fo.com

### E-2000™ DUPLEX

#### SINGLE MODE / MULTIMODE

#### E-2146.6/E-2156.6

#### SINGLE MODE APC

#### E-2148.6



### SINGLE MODE APC

Type designation: **E-2148.6**  
Ferrule material: Zirconia/copper-nickel alloy insert (Pilzferrule)  
External parts: Plastic (green)  
Polish geometry: 8° angled (APC)

Dimensions Fiber/Cable	Order Number	
	Unterminated connector	Terminated assembly
9/125/900	- 000 - 001 L 000	- xxx - 001 L xxx
9/125/900/3000/6500	- 000 - 004 L 000	- xxx - 054 L xxx

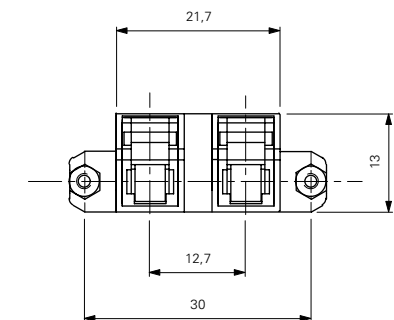
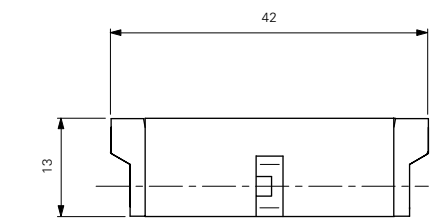
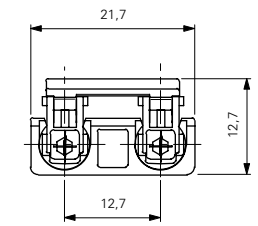
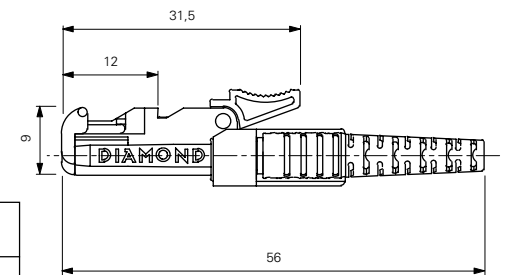
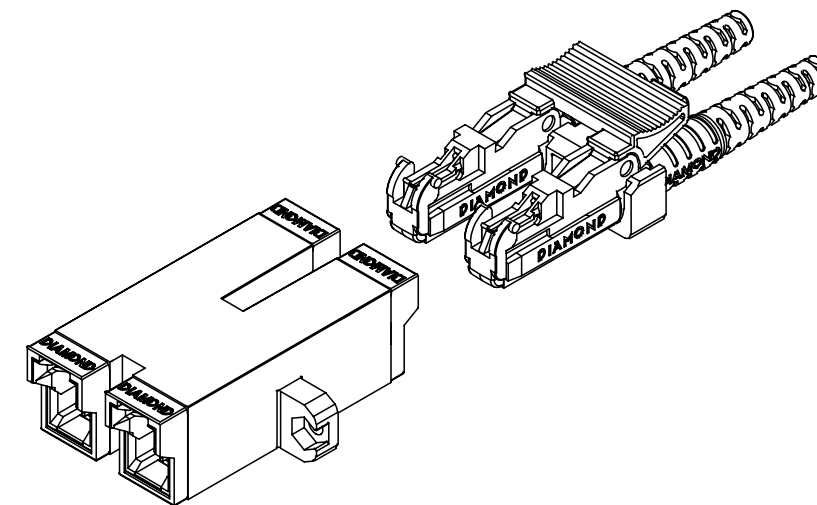
Thumb-latch	green	blue	black	red	orange	yellow	white	violet
Order No.	305	315	325	335	345	355	365	375

Connectors for other fiber and cable dimensions available upon request

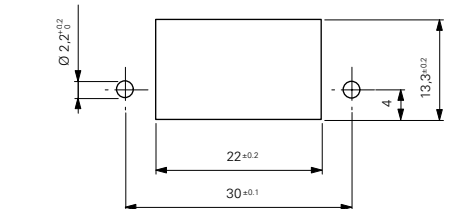
### MATING ADAPTER

Type designation: **E-2210.2-\*\*\***  
Mating sleeve: Zirconia  
External parts: Plastic green

Frame color	Order Number	Frame color	Order Number
Blue	165 - 301 - 905 V 211	Orange	165 - 301 - 905 V 255
Green	165 - 301 - 905 V 222	Yellow	165 - 301 - 905 V 266
Black	165 - 301 - 905 V 233	White	165 - 301 - 905 V 277
Red	165 - 301 - 905 V 244	Violet	165 - 301 - 905 V 288



### MOUNTING INSTRUCTIONS



Max wall thickness 2 mm

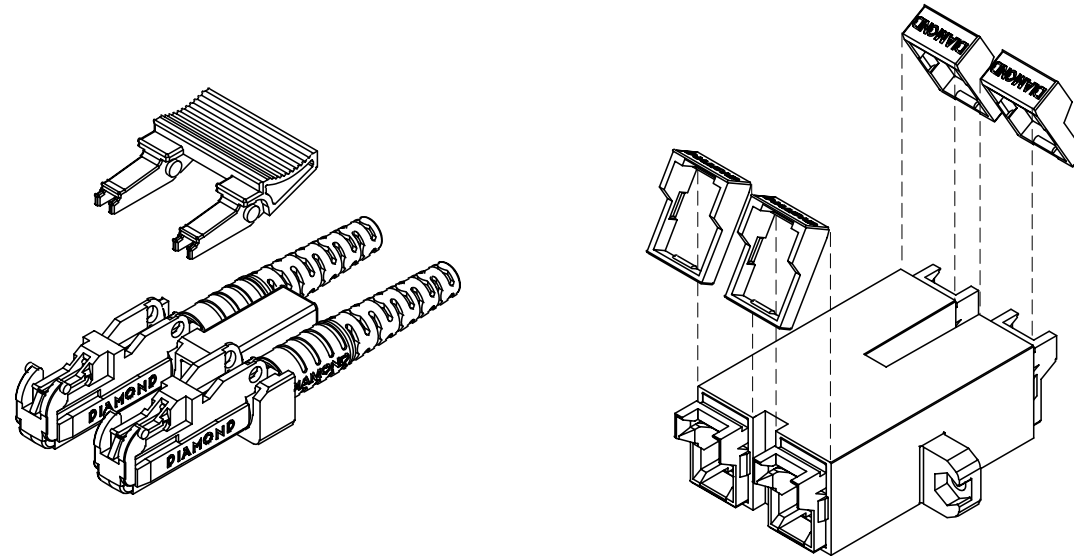
Specifications subject to change  
without notice

002-037-210P002100

## SPECIFICATIONS

	Multimode		Single mode		Single mode 8° APC		Single mode 0.1 dB	Units	Test conditions
Insertion Loss (IL)	typ 0.15	max 0.4	typ 0.2	max 0.4	typ 0.2	max 0.4	max 0.1	dB	IEC 1300-3-4; λ = 1300/1550nm
Return Loss (RL)	typ -40		min 50		min 70*		min 85*	dB	IEC 1300-3-6; λ = 1300/1550nm
Repeatability of IL	max ±0.1						-	dB	Over service life
Service life	1000 mate/demate cycles								
Operating temperature					-40 / +85			°C	May be further limited by cable specifications
Storage temperature					-40 / +90			°C	

\* Measured with high precision reflectometer



The E-2000™ permits the user to specify the color of the thumb-latch and the mating adapter frame so that different line types, uses, destinations and points of origin, etc. can be readily identified.

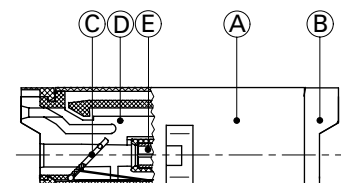
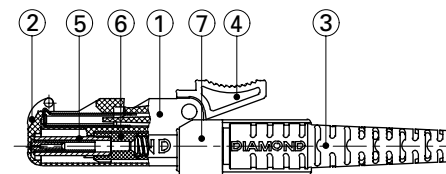
The thumb-latch and frame are available in eight distinct colors:

- |                     |                      |
|---------------------|----------------------|
| 1. Blue (RAL 5015)  | 5. Orange (RAL 2003) |
| 2. White (RAL 9010) | 6. Yellow (RAL 1016) |
| 3. Black (RAL 9005) | 7. Green (RAL 6018)  |
| 4. Red (RAL 3020)   | 8. Violet (RAL 4008) |

In addition, colored connector bodies and mating adapter housings are used to identify the ferrule polish. Blue (RAL 5015) is used for connectors with convex polished (PC) ferrules and green (RAL 6018) identifies 8° angle polished (APC) types.

## MATERIALS: CONNECTOR AND MATING ADAPTER

	Item	Component	Material
Connector	1	Housing	PBT
	2	Protective cap	Metal/Plastic
	3	Cable boot	PUR
	4	Thumb-latch	PBT
	5	Ferrule Ø 2,5 mm	Zirconia/Cu-Ni insert (Pilz)
	6	Ferrule case	LCP
	7	Bridge	POM
Mating adapter	A	Outer housing	PBT
	B	Coded frame	PBT
	C	Shutters	Metal
	D	Inner housing	LCP
	E	Alignment sleeve	Zirconia



## CONNECTORS

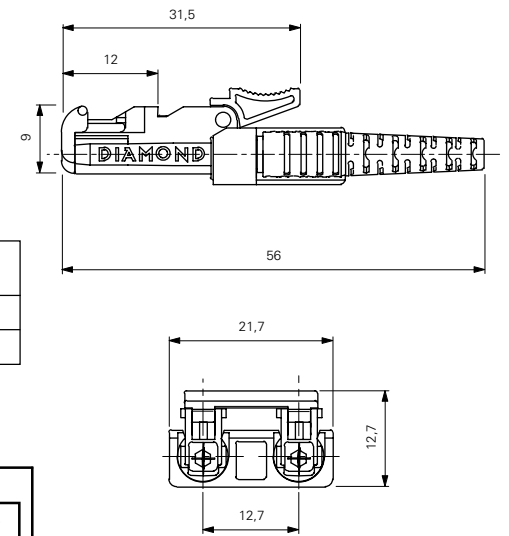
### SINGLE MODE

Type designation: **E-2146.6**  
 Ferrule material: Zirconia/copper-nickel alloy insert (Pilzferrule)  
 External parts: Plastic (blue)  
 Polish geometry: Convex (PC)

Dimensions Fiber/Cable	Order Number	
	Unterminated connector	Terminated assembly
9/125/900	- 000 - 001 L 000	- x x x - 001 L x x x
9/125/900/3000/6500	- 000 - 004 L 000	- x x x - 054 L x x x

Thumb-latch	blue	green	black	red	orange	yellow	white	violet
Order No.	303	313	323	333	343	353	363	373

Connectors for other fiber and cable dimensions available upon request



### MULTIMODE

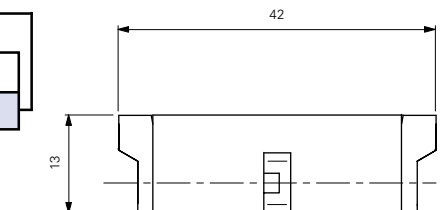
Type designation: **E-2156.6**  
 Ferrule material: Zirconia/copper-nickel alloy insert (Pilzferrule)  
 External parts: Plastic (blue)  
 Polish geometry: Convex (PC)

Dimensions Fiber/Cable	Order Number	
	Unterminated connector	Terminated assembly
50/125/900	- 000 - 001 L 000	- x x x - 001 L x x x
50/125/900/3000/6500	- 000 - 004 L 000	- x x x - 054 L x x x

Dimensions Fiber/Cable	Order Number	
	Unterminated connector	Terminated assembly
62.5/125/900	- 000 - 001 L 000	- x x x - 001 L x x x
62.5/125/900/3000/6500	- 000 - 004 L 000	- x x x - 064 L x x x

Thumb-latch	blue	green	black	red	orange	yellow	white	violet
Order No.	304	314	324	334	344	354	364	374

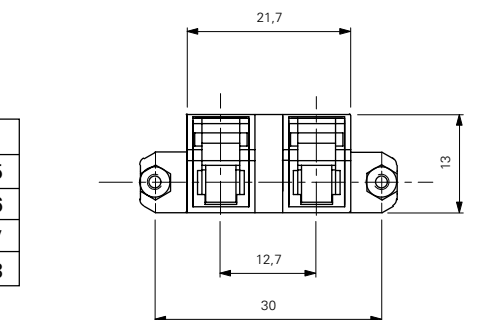
Connectors for other fiber and cable dimensions available upon request



### MATING ADAPTER

Type designation: **E-2210.2-\*\*\***  
 Mating sleeve: Zirconia  
 External parts: Plastic blue

Frame color	Order Number	Frame color	Order Number
Blue	165 - 301 - 905 V 111	Orange	165 - 301 - 905 V 155
Green	165 - 301 - 905 V 122	Gelb	165 - 301 - 905 V 166
Black	165 - 301 - 905 V 133	Weiss	165 - 301 - 905 V 177
Red	165 - 301 - 905 V 144	Violett	165 - 301 - 905 V 188



### ORDER NUMBER CODES

- Connector code
- Connector code for termination on other end of assembly  
 - For pigtail: insert 000  
 - For patch assemblies: insert connector code for other connector
- Code for fiber or cable
- Length in meters

