

MTLW-1XX-XX-XX-X-XXX-XX-XX R

No. OF POSITIONS
-01 THRU -40 (SINGLE)
-01 THRU -36 (DOUBLE)

LEAD STYLE
SEE TABLE 1

PLATING SPECIFICATION

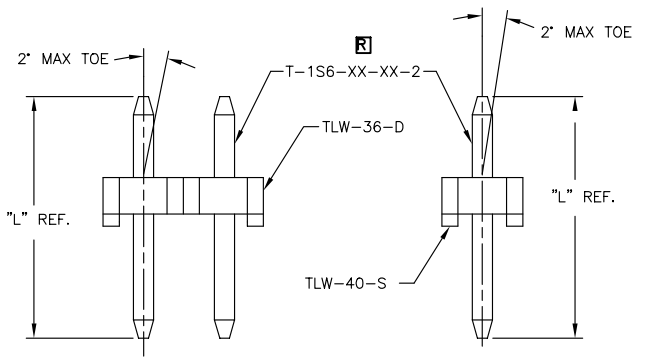
- G: GOLD
- T: TIN
- S: SELECTIVE HEAVY GOLD
- H: HEAVY GOLD
- F: FLASH SELECTIVE GOLD
- L: SELECTIVE LIGHT GOLD
- P: GOLD FLASHED PALLADIUM NICKEL
- TM: MATTE TIN
- SM: HEAVY SELECTIVE GOLD, MATTE TIN TAIL
- LM: LIGHT SELECTIVE GOLD, MATTE TIN TAIL
- FM: FLASH SELECTIVE GOLD, MATTE TIN TAIL

OPTION #2
-POLARIZING SPEC.
R XX INDICATES POS. TO BE OMITTED

OPTION #1
-BLANK=STRAIGHT
-LL: LOCKING LEADS (SEE FIG 1, SHT2)
(TAIL: MIN OF .090 [2.29], MAX OF .310 [7.87])

POST HEIGHT
XXX= "A" (SEE TABLE 1)
(.000 MIN.)
MAX = (L-.060 [1.52])

ROW SPECIFICATION
-S: SINGLE
-D: DOUBLE



DO NOT SCALE FROM THIS PRINT.

R TABLE 1

LEAD STYLE	TERMINAL	"L"	"A" (FOR .090 [2.29] TAIL)	"B"
-05	T-1S6-21-XX-2	.335 [8.51]	.185 [4.70]	.050 [4.19]
-06	T-1S6-18-XX-2	.300 [7.62]	.150 [3.81]	.050 [4.19]
-07	T-1S6-07-XX-2	.430 [10.92]	.280 [7.11]	.165 [4.19]
-08	T-1S6-08-XX-2	.530 [13.46]	.380 [9.65]	.165 [4.19]
-09	T-1S6-09-XX-2	.730 [18.54]	.580 [14.73]	.165 [4.19]
-10	T-1S6-10-XX-2	.830 [21.08]	.680 [17.27]	.165 [4.19]
-22	T-1S6-15-XX-2	.630 [16.00]	.480 [12.19]	.165 [4.19]
-23	T-1S6-16-XX-2	.445 [11.30]	.295 [7.49]	.165 [4.19]
-24	T-1S6-17-XX-2	.480	.330	.165

NOTES:
 1.) MAX ALLOWABLE BOW AFTER ASSEMBLY: .005 [.13] IN/IN.
 2.) TERMINAL PUSHOUT FORCE: 2 lbs. MIN.
 3.) MAX PIN ROTATION IN BODY: 2°.
 4.) R REPRESENTS A CRITICAL DIMENSION
 5.) MAX CUT FLASH .010 [2.5].
 6.) GOLD CONTACT AREA LOCATION FOR G, H, S, L, & F PLATINGS.
 7.) ORIENTATE PINS TO REDUCE THE NUMBER OF BANDOLIERS MARKS R IN THE POST AREA. (SEE TABLE 2)

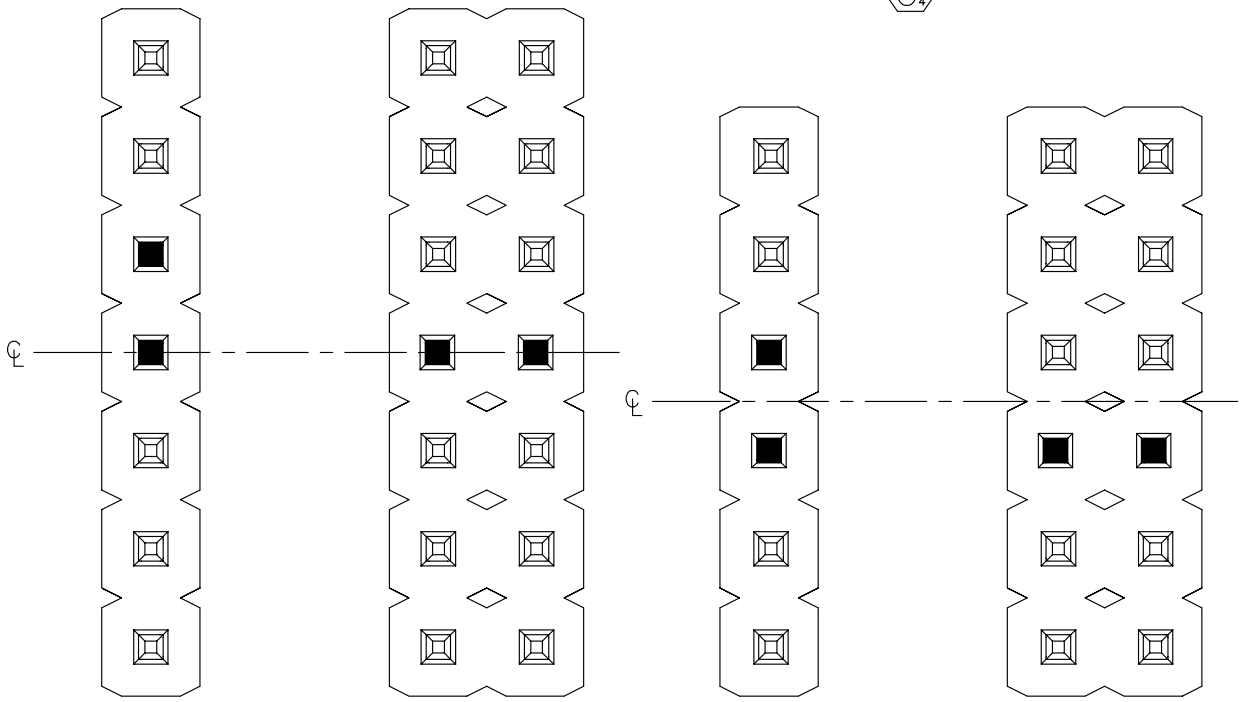
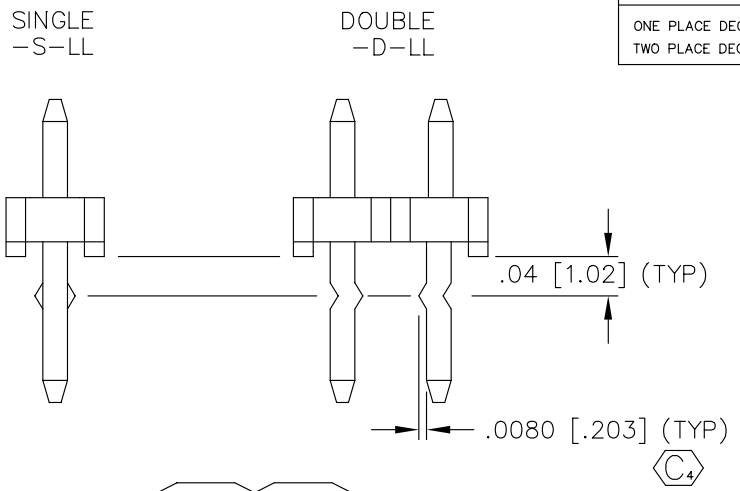
PROPRIETARY NOTE
 THIS DOCUMENT CONTAINS INFORMATION CONFIDENTIAL AND PROPRIETARY TO SAMTEC INC. AND SHALL NOT BE REPRODUCED OR TRANSMITTED TO OTHER DOCUMENTS OR DISCLOSED TO OTHERS OR USED FOR ANY PURPOSE OTHER THAN THAT FOR WHICH IT WAS OBTAINED WITHOUT THE EXPRESSED WRITTEN CONSENT OF SAMTEC INC.

<p>MATERIAL: VECTRA E130 W/50% MAX REGRIND ALTERNATE MATERIAL: ZENITE 6130 W/25% MAX REGRIND COLOR: BLACK</p> <p>TERMINALS: PHOSPHOR BRONZE ALLOY NO. 510, 3/4 HARD TENSILE RANGE 95-105 KSI</p>	<p>520 PARK EAST BLVD. NEW ALBANY, INDIANA 47150 PHONE (812) 944-6733 P.O. BOX 1147 CODE 55322</p>	<p>MTLWASM</p> <p>MADE BY: REIDINGER 6-5-91 CHECKED BY: MCCARTIN</p> <p>ENG. APPROVAL: DEM</p>
--------------------------------------------------------------------------------------------------------------------------------------------------------------------------------------------------------------------------------------	------------------------------------------------------------------------------------------------------------	----------------------------------------------------------------------------------------------------

REV R

DIMENSIONS ARE IN INCHES UNLESS OTHERWISE NOTED TOLERANCES ARE:
 ONE PLACE DECIMALS ± .1 [.3] THREE PLACE DECIMALS ± .005 [.13]
 TWO PLACE DECIMALS ± .01 [.3] FOUR PLACE DECIMALS ± .002 [.051]
 ANGLES ± 2°

TITLE: MODIFIED LOW PROFILE TERMINAL ASSEMBLY
 DWG NO: MTLW-1XX-XX-X-X-XXX-XX-XX
 SHEET 2 OF 2



SINGLES: DOUBLES: SINGLES: DOUBLES:

ODD POSITIONS LOCKING LEAD EVEN POSITIONS

LOCKING LEAD

■ = CRIMP LOCATION

PROPRIETARY NOTE
 THIS DOCUMENT CONTAINS INFORMATION CONFIDENTIAL AND PROPRIETARY TO SAMTEC INC. AND SHALL NOT BE REPRODUCED OR TRANSFERRED TO OTHER DOCUMENTS OR DISCLOSED TO OTHERS OR USED FOR ANY PURPOSE OTHER THAN THAT FOR WHICH IT WAS OBTAINED WITHOUT THE EXPRESSED WRITTEN CONSENT OF SAMTEC INC.

FIG. 1
 -LL OPTION
 LOCKING LEAD

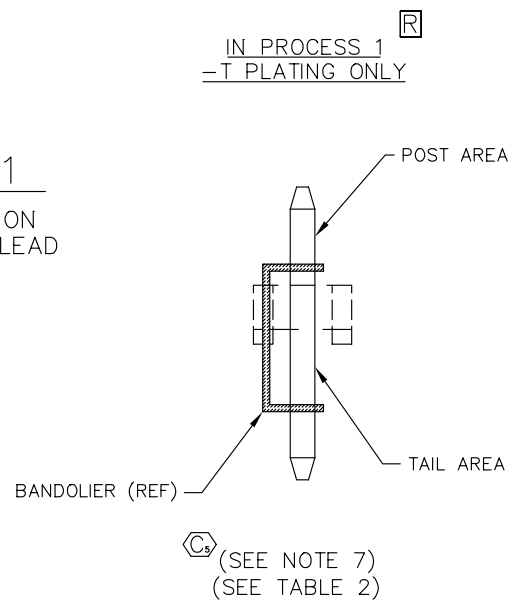


TABLE 2

LEAD STYLE	NUMBER OF BAND MARKS ALLOWED IN POST AREA	
	PIN #1	PIN #2
*-05	1	1
-06	1	1
-07	1	1
-08	1	1
*-09	2	2
*-10	2	2
-22	2	2
-23	1	1
-24	1	1

* PINS TO BE FLIPPED OPPOSITE OF SELECTIVE PLATING BEFORE BEING INSERTED

samtec

520 PARK EAST BLVD. NEW ALBANY, INDIANA 47150
 PHONE (812) 944-6733 P.O. BOX 1147
 CODE 55322

MADE BY: M PUFFER 8-15-97
 MTLW-1XX-XX-X-X-XXX-XX-XX
 SHEET 2 OF 2