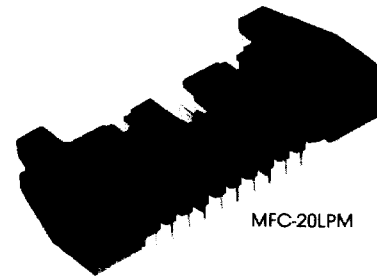
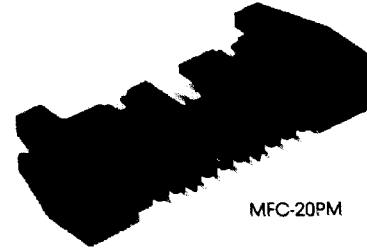
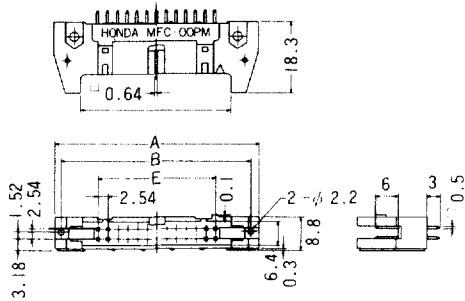
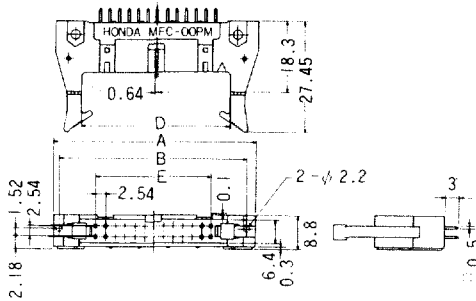


4-WALL MALE CONNECTOR FOR SOLDER DIP

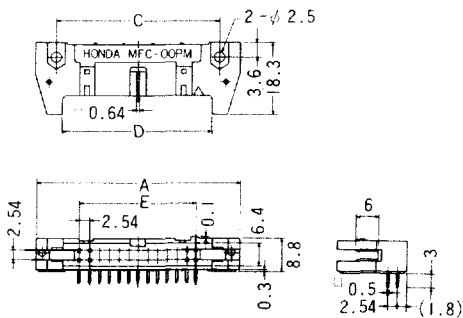
MFC-()PM



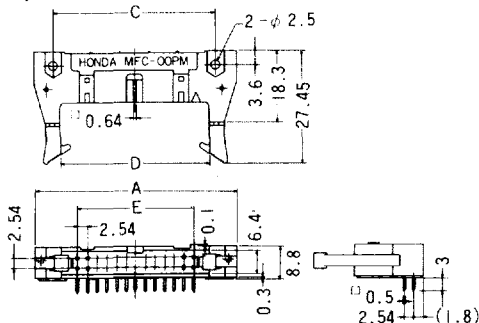
MFC-()RPM



MFC-()LPM



MFC-()RLPM



Part No.	A	B	C	D	E
MFC-10 RM, RPM, LPM, RLPM	32.0	28.0	21.9	18.2	10.16
* MFC-14 RM, RPM, LPM, RLPM	37.1	33.0	26.9	23.3	15.24
MFC-16 RM, RPM, LPM, RLPM	39.6	35.5	29.4	25.8	17.78
MFC-20 RM, RPM, LPM, RLPM	44.7	40.6	34.5	30.9	22.86
MFC-26 RM, RPM, LPM, RLPM	52.3	48.3	42.2	38.5	30.48
MFC-30 RM, RPM, LPM, RLPM	57.4	53.3	47.2	43.6	35.56
MFC-34 RM, RPM, LPM, RLPM	62.5	58.4	52.3	48.7	40.64
MFC-40 RM, RPM, LPM, RLPM	70.1	66.0	59.9	56.3	48.26
MFC-50 RM, RPM, LPM, RLPM	82.8	78.7	72.6	69.0	60.96
MFC-60 RM, RPM, LPM, RLPM	95.5	91.4	85.3	81.7	73.66
MFC-64 RM, RPM, LPM, RLPM	100.6	96.5	90.4	86.8	78.74

* : planning stage