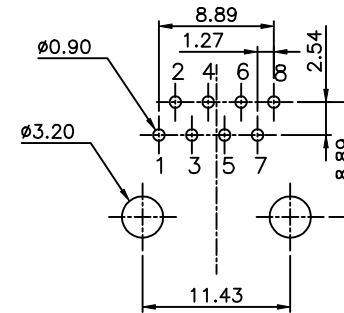
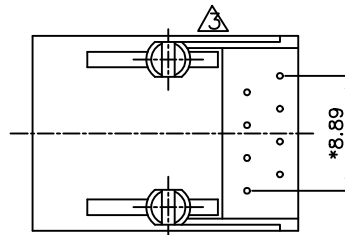
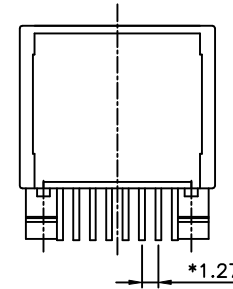
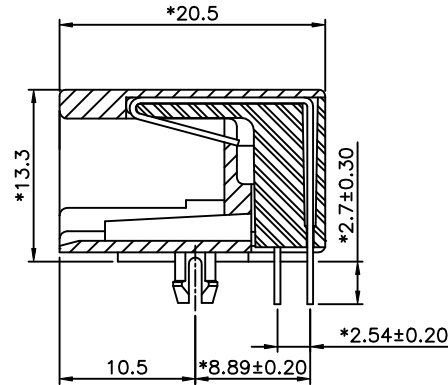
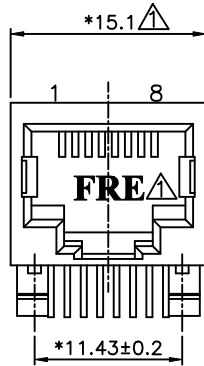


REVISION RECORD				
REV	ECO	DESCRIPTION	DRFT	CHKD
△		DRAWING MODIFY	LYY 9/27/02	
△		ADD P/N	SAMMY 08/07/04	
△		ADD P/N	HAGGIN 7/25/05	



PC Board Layout Component Side Show

NOTES:

ELECTRICAL:

- VOLTAGE RATING : 125 VAC RMS.
- CURRENT RATING : 1.5 AMP.
- CONTACT RESISTANCE : 45 MILLIOHMS MAX.△
- INSULATION RESISTANCE: 1000 MEGOHMS MIN @ 500 VDC.
- DIELECTRIC STRENGTH : 1000 VAC RMS 60Hz, 1MIN.

MECHANICAL:

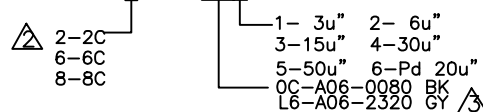
- HOUSING MATERIAL : GLASS FILLED POLYESTER UL94V-0.
- CONTACT MATERIAL : PHOSPHOR BRONZE Ø0.46mm.
- PLATING : GOLD PLATING OVER NICKEL.
- OPERATING LIFE : 750 CYCLES MIN.
- PCB RETENTION PRE-SOLDER : 1 LB MIN.
- PCB RETENTION POST-SOLDER: 10 LBS MIN.

ENVIRONMENTAL:

- STORAGE : -40°C TO +85°C.
- OPERATION: 0°C TO 70°C.

MATES WITH MODULAR PLUG CONFORMING TO FCC PART 68, SUBPART F.

CUL FILE NO. E163191
PART NUMBER: E598X-000XXX



DETACHED LISTS	MM (INCH)		DFTO BASS	DATE 6/5/98	FULL RISE ELECTRONIC CO., LTD		
	TOLERANCES EXCEPT AS NOTED		CHKDSAMMY	DATE 2005/08/27			
			MFO	DATE	TITLE DEEPEN TYPE 20.57 PCB JACK 8P		
			APPVLLUSHENG	DATE 2005/08/27			
		ANGLES ± 0.5	MATERIAL :		DRAWING NO. GE593063 SIZE A3 REV 3 /PART NO. SEE NOTE		
		THIRD ANGLE PROJECTION	FINISH :				
			SCALE : 2.5 : 1		DO NOT SCALE DRAWING SHEET OF		
			QT'Y :				