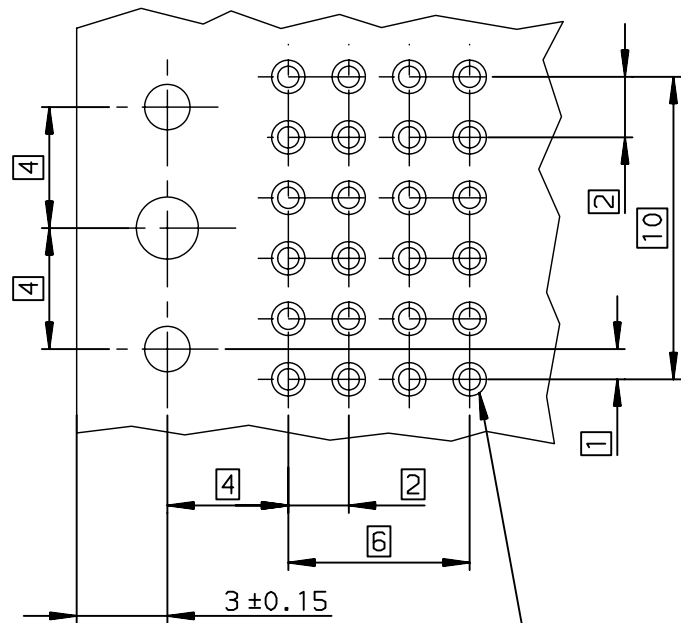
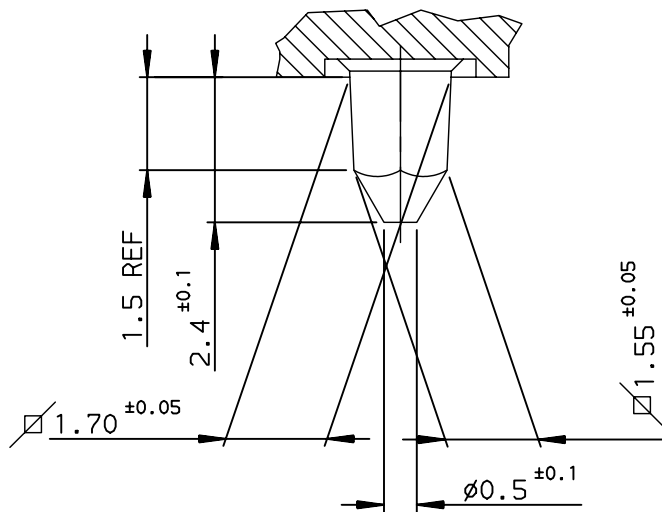


RECOMMENDED PCB LAYOUT
PER 12 MM LENGTH

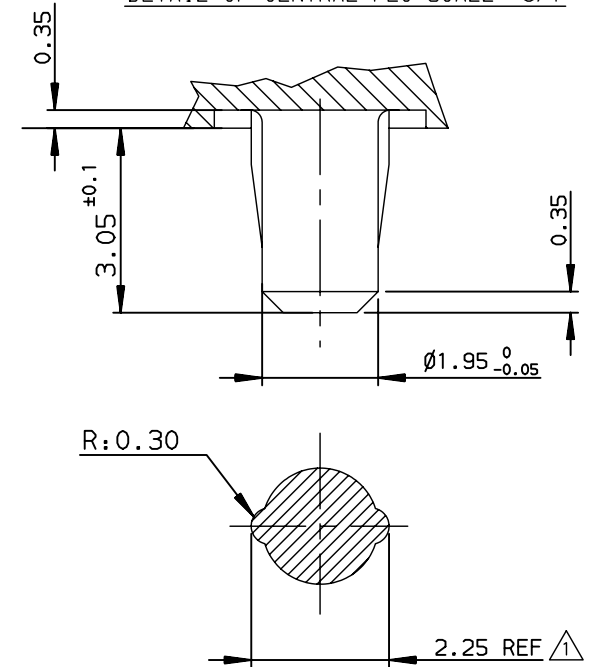


Hole according to product spec
G5-12-445 (for press-fit) ,
G5-12-446 (for STB)

DETAIL OF LOCATING PEGS (2x) SCALE 8/1



DETAIL OF CENTRAL PEG SCALE 8/1



OTHERS INFORMATIONS, SEE DRW 8626-11212-1/-3/-4

European Views

www.fciconnect.com		surface ISO 1302	tolerance std ISO 406 ISO 1101	projection A3	mm
TOLERANCES UNLESS OTHERWISE SPECIFIED					
Dr	CHAMPION	23/08/24	ANGULAR	0.X	±0.1
Eng	LENOIR	2003/03/19	LINEAR	0.XX	±0.1
Chr	LEGARE	2003/03/19	0.XX' ±2'	0.XXX	±0.1
Appr	LEGARE	2003/03/19	Product family	METRAL	Spec ref -
FCi		title METRAL RE HDR CONV 4X24CTS-STB-PUSH PEG-SPEC		dwg no C-8626-11212-2	Rev. E
		catalog no		CUSTOMER	sheet 2 of 4

rev	ecn no	dr	date
A	-	PCH	2003/03/19
C	LS05-0056	LGO	2005/07/04
D	LS06-0097	LGO	2006/07/21
E	LS07-0184	MLE	2007/07/27
-	-	-	-
-	-	-	-
-	-	-	-

TIN LEAD PART NUMBER		HM1L43ZAP012H6P																							
LEAD FREE PART NUMBER		HM1L43ZAP012H6PLF																							
		CTS LOADING PATTERN																							
DIM-P	1	2	3	4	5	6	7	8	9	10	11	12	13	14	15	16	17	18	19	20	21	22	23	24	
ROW-D	5.00	5.00	5.00	6.50	6.50	6.50	5.00	5.00	5.00	6.50	6.50	6.50	5.00	5.00	5.00	6.50	6.50	6.50	5.00	5.00	5.00	6.50	6.50	6.50	
ROW-C	8.00	8.00	8.00	8.00	8.00	8.00	8.00	8.00	8.00	8.00	8.00	8.00	8.00	8.00	8.00	8.00	8.00	8.00	8.00	8.00	8.00	8.00	8.00	8.00	
ROW-B	8.00	8.00	8.00	8.00	8.00	8.00	8.00	8.00	8.00	8.00	8.00	8.00	8.00	8.00	8.00	8.00	8.00	8.00	8.00	8.00	8.00	8.00	8.00	8.00	
ROW-A	8.00	8.00	8.00	8.00	8.00	8.00	8.00	8.00	8.00	8.00	8.00	8.00	8.00	8.00	8.00	8.00	8.00	8.00	8.00	8.00	8.00	8.00	8.00	8.00	
DIM-D =2.9±0.3		NUMBER OF CTS = 96																							
		SP 012																							

TIN LEAD PART NUMBER		HM1L43ZAP099H6P																							
LEAD FREE PART NUMBER		HM1L43ZAP099H6PLF																							
		CTS LOADING PATTERN																							
DIM-P	1	2	3	4	5	6	7	8	9	10	11	12	13	14	15	16	17	18	19	20	21	22	23	24	
ROW-D	5.75	5.75	5.75	5.75	5.75	5.75	5.75	5.75	5.75	5.75	5.75	5.75	5.75	5.75	5.75	5.75	5.75	5.75	5.75	5.75	5.75	5.75	5.75	5.75	
ROW-C	5.75	5.75	5.75	5.75	5.75	5.75	5.75	5.75	5.75	5.75	5.75	5.75	5.75	5.75	5.75	5.75	5.75	5.75	5.75	5.75	5.75	5.75	5.75	5.75	
ROW-B	5.75	5.75	5.75	5.75	5.75	5.75	5.75	5.75	5.75	5.75	5.75	5.75	5.75	5.75	5.75	5.75	5.75	5.75	5.75	5.75	5.75	5.75	5.75	5.75	
ROW-A	5.00	6.50	6.50	6.50	6.50	6.50	6.50	6.50	5.75	5.75	5.75	5.75	5.75	5.75	5.75	6.50	6.50	6.50	6.50	6.50	6.50	6.50	6.50	5.00	
DIM-D =2.9±0.3		NUMBER OF CTS = 96																							
		SP 099																							

TIN LEAD PART NUMBER		HM1L43ZBP099H6P																							
LEAD FREE PART NUMBER		HM1L43ZBP099H6PLF																							
		CTS LOADING PATTERN																							
DIM-P	1	2	3	4	5	6	7	8	9	10	11	12	13	14	15	16	17	18	19	20	21	22	23	24	
ROW-D	5.75	5.75	5.75	5.75	5.75	5.75	5.75	5.75	5.75	5.75	5.75	5.75	5.75	5.75	5.75	5.75	5.75	5.75	5.75	5.75	5.75	5.75	5.75	5.75	
ROW-C	5.75	5.75	5.75	5.75	5.75	5.75	5.75	5.75	5.75	5.75	5.75	5.75	5.75	5.75	5.75	5.75	5.75	5.75	5.75	5.75	5.75	5.75	5.75	5.75	
ROW-B	5.75	5.75	5.75	5.75	5.75	5.75	5.75	5.75	5.75	5.75	5.75	5.75	5.75	5.75	5.75	5.75	5.75	5.75	5.75	5.75	5.75	5.75	5.75	5.75	
ROW-A	5.00	6.50	6.50	6.50	6.50	6.50	6.50	6.50	5.75	5.75	5.75	5.75	5.75	5.75	5.75	6.50	6.50	6.50	6.50	6.50	6.50	6.50	6.50	5.00	
DIM-D =3.7±0.3		NUMBER OF CTS = 96																							
		SP 099																							

OTHERS INFORMATIONS, SEE DRW 8626-11212-1/-2/-4

European Views

www.fciconnect.com		surface ISO 1302	tolerance std ISO 406 ISO 1101	projection 	mm
TOLERANCES UNLESS OTHERWISE SPECIFIED					
Dr	CHAMPION	2003/03/19	ANGULAR	0.X	±0.1
Eng	LENOIR	2003/03/19	LINEAR	0.XX	±0.1
Chr	LEGARE	2003/03/19	0.XX' ±2'	0.XXX	±0.1
Appr	LEGARE	2003/03/19	Product family	METRAL	Spec ref -
Title METRAL RA HDR WB CONV 4X24CTS-STB-PUSH PEG-SPEC			dwg no C-8626-11212-3		Rev. E
catalog no			CUSTOMER sheet 3 of 4		

rev	ecn no	dr	date
A	-	PCH	2003/03/19
C	LS05-0056	LGO	2005/07/04
D	LS06-0097	LGO	2006/07/21
E	LS07-0184	MLE	2007/07/27
-	-	-	-
-	-	-	-
-	-	-	-



Copyright FCI.

TIN LEAD PART NUMBER		HM1L43DAP270H6P																							
LEAD FREE PART NUMBER		HM1L43DAP270H6PLF																							
		CTS LOADING PATTERN																							
DIM-P	1	2	3	4	5	6	7	8	9	10	11	12	13	14	15	16	17	18	19	20	21	22	23	24	
ROW-D	6.50	6.50	6.50	6.50	6.50	6.50	6.50	6.50	6.50	6.50	6.50	6.50	6.50	6.50	6.50	6.50	6.50	6.50	6.50		6.50	6.50	6.50	6.50	
ROW-C	6.50	6.50	6.50	6.50	6.50	6.50	6.50	6.50	6.50	6.50	6.50	6.50	6.50	6.50	6.50	6.50	6.50	6.50	6.50		6.50	6.50	6.50	6.50	
ROW-B	6.50	6.50	6.50	6.50	6.50	6.50	6.50	6.50	6.50	6.50	6.50	6.50	6.50	6.50	6.50	6.50	6.50	6.50	6.50		6.50	6.50	6.50	6.50	
ROW-A	6.50	6.50	6.50	6.50	6.50	6.50	6.50	6.50	6.50	6.50	6.50	6.50	6.50	6.50	6.50	6.50	6.50	6.50	6.50		6.50	6.50	6.50	6.50	
DIM-D =2.9±0.3		NUMBER OF CTS = 92																							
		SP 270																							

TIN LEAD PART NUMBER		HM1L43ZAP425H6P																							
LEAD FREE PART NUMBER		HM1L43ZAP425H6PLF																							
		CTS LOADING PATTERN																							
DIM-P	1	2	3	4	5	6	7	8	9	10	11	12	13	14	15	16	17	18	19	20	21	22	23	24	
ROW-D	5.75	5.75	5.75	5.75	5.75	5.75	5.75	5.75	5.75	5.75	5.75	5.75	5.75	5.75	5.75	5.75	5.75	5.75	5.75	5.75	5.75	5.75	5.75	5.75	
ROW-C	5.75	5.75	5.00	5.75	5.75	5.75	5.75	5.75	5.75	5.75	5.75	5.75	5.75	5.75	5.75	5.75	5.75	5.75	5.75	5.75	5.75	5.75	5.75	5.00	
ROW-B	5.75	5.75	5.75	5.75	5.75	5.75	5.75	5.75	5.75	5.75	5.75	5.75	5.75	5.75	5.75	5.75	5.75	5.75	5.75	5.75	5.75	5.75	5.75	5.75	
ROW-A	6.50	6.50	6.50	6.50	6.50	6.50	5.75	5.75	5.75	5.75	5.75	5.75	5.75	5.75	5.75	5.75	5.75	5.75	6.50	6.50	6.50	6.50	6.50	6.50	
DIM-D =2.9±0.3		NUMBER OF CTS = 96																							
		SP 425																							

TIN LEAD PART NUMBER		HM1L43ZAP459H6P																							
LEAD FREE PART NUMBER		HM1L43ZAP459H6PLF																							
		CTS LOADING PATTERN																							
DIM-P	1	2	3	4	5	6	7	8	9	10	11	12	13	14	15	16	17	18	19	20	21	22	23	24	
ROW-D	6.50	6.50			5.75	5.75			5.75	5.75					5.75	5.75	5.75	5.75	5.75	5.75	5.75	5.75	5.75	5.75	
ROW-C	5.75	5.75			5.75	5.75			5.75	5.75					5.75	5.75	5.75	5.75	5.75	5.75	5.75	5.75	5.75	5.75	
ROW-B	5.75	5.75			5.75	5.75			5.75	5.75					5.75	5.75	5.75	5.75	5.75	5.75	5.75	5.75	5.75	5.75	
ROW-A	5.75	5.75			5.75	5.75			5.75	5.75					5.00	5.75	5.75	5.75	5.75	5.75	5.75	5.75	5.75	5.75	
DIM-D =2.9±0.3		NUMBER OF CTS = 96																							
		SP 459																							

OTHERS INFORMATIONS, SEE DRW 8626-11212-1/-2/-3 European Views

www.fciconnect.com		surface ISO 1302	tolerance std ISO 406 ISO 1101	projection 	mm
TOLERANCES UNLESS OTHERWISE SPECIFIED					
Dr	CHAMPION	2003/03/19	ANGULAR	0.X	±0.1
Eng	LENOIR	2003/03/19	LINEAR	0.XX	±0.1
Chr	LEGARE	2003/03/19	0.XX' ±2'	0.XXX	±0.1
Appr	LEGARE	2003/03/19	Product family	METRAL	Spec ref -
Title METRAL RA HDR WB CONV 4x24CTS-STB-PUSH PEG-SPEC			dwg no C-8626-11212-4		Rev. E
catalog no			CUSTOMER sheet 4 of 4		

rev	ecn no	dr	date
A	-	PCH	2003/03/19
C	LS05-0056	LGO	2005/07/04
D	LS06-0097	LGO	2006/07/21
E	LS07-0184	MLE	2007/07/27
-	-	-	-
-	-	-	-
-	-	-	-



Copyright FCI.