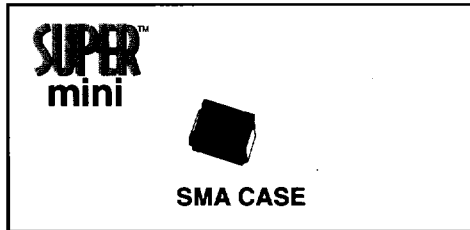


CMR1U-01M
CMR1U-02M
CMR1U-04M
CMR1U-06M
NEW! CMR1U-10M

ULTRA FAST RECOVERY RECTIFIER
1.0 AMP, 100 THRU 1000 VOLTS



Central™

Semiconductor Corp.

FEATURES:

- SUPER MINIATURE CASE
- SPECIAL SELECTIONS AVAILABLE
- LOW COST
- SUPERIOR LOT TO LOT CONSISTENCY
- HIGH RELIABILITY
- "C" BEND CONSTRUCTION PROVIDES STRAIN RELIEF WHEN MOUNTED ON PC BOARD
- GLASS PASSIVATED CHIP

DESCRIPTION:

The CENTRAL SEMICONDUCTOR 1.0 Amp Surface Mount Ultra Fast Recovery Silicon Rectifier is a high quality, well constructed, highly reliable component designed for use in all types of commercial, industrial, entertainment, computer, and automotive applications where small size is required. The SMA case occupies 30% less board space than the SMB case. To order devices on 12mm Tape and Reel (5000/13" Reel), add TR13 suffix to part number.

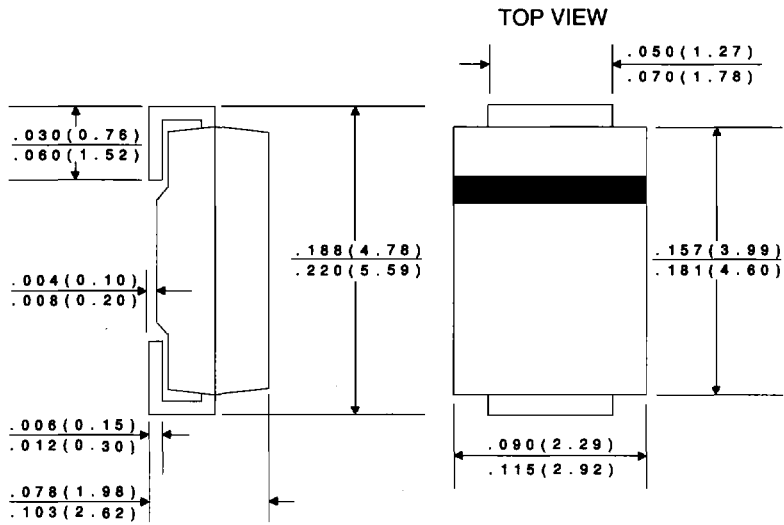
MAXIMUM RATINGS: ($T_A=25^{\circ}\text{C}$ unless otherwise noted)

	SYMBOL	CMR1U-01M	CMR1U-02M	CMR1U-04M	CMR1U-06M	CMR1U-100M	UNITS
Peak Repetitive Reverse Voltage	V_{RRM}	100	200	400	600	1000	V
DC Blocking Voltage	V_R	100	200	400	600	1000	V
RMS Reverse Voltage	$V_{R(RMS)}$	70	140	280	420	1000	V
Average Forward Current ($T_A=75^{\circ}\text{C}$)	I_O			1.0			A
Peak Forward Surge Current (8.3ms)	I_{FSM}			30			A
Operating and Storage							
Junction Temperature	T_J, T_{stg}			-65 to +175			$^{\circ}\text{C}$
Thermal Resistance	Θ_{JL}			30			$^{\circ}\text{C/W}$

ELECTRICAL CHARACTERISTICS: ($T_A=25^{\circ}\text{C}$ unless otherwise noted)

SYMBOL	TEST CONDITIONS	MIN	MAX	UNITS
I_R	$V_R = \text{Rated } V_{RRM}$		5.0	μA
V_F	$I_F = 1.0\text{A}$, (CMR1U-01M, CMR1U-02M)		1.00	V
V_F	$I_F = 1.0\text{A}$, (CMR1U-04M)		1.25	V
V_F	$I_F = 1.0\text{A}$, (CMR1U-06M)		1.40	V
V_F	$I_F = 1.0\text{A}$, (CMR1U-10M)		1.70	V
t_{rr}	$I_F = 0.5\text{A}$, $I_R = 1.0\text{A}$, Recover to 0.25A (CMR1U-01M, -02M)		35	ns
t_{rr}	$I_F = 0.5\text{A}$, $I_R = 1.0\text{A}$, Recover to 0.25A (CMR1U-04M)		50	ns
t_{rr}	$I_F = 0.5\text{A}$, $I_R = 1.0\text{A}$, Recover to 0.25A (CMR1U-06M)		75	ns
t_{rr}	$I_F = 0.5\text{A}$, $I_R = 1.0\text{A}$, Recover to 0.25A (CMR1U-10M)		100	ns

All dimensions in inches (mm).



Marking Codes:

DEVICE	MARKING CODE
CMR1U-01M	CU01M
CMR1U-02M	CU02M
CMR1U-04M	CU04M
CMR1U-06M	CU06M
CMR1U-10M	CU10M

DATA
SHEET

R1