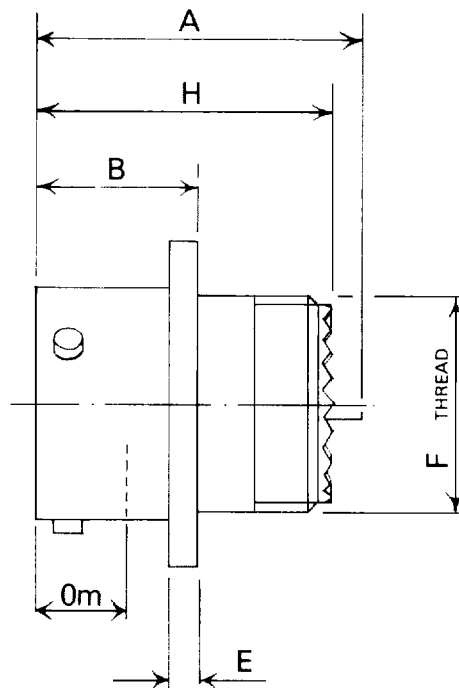
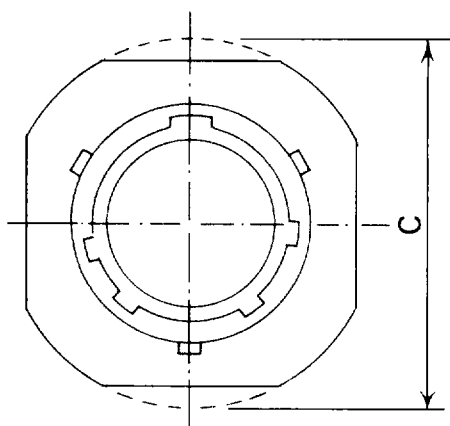
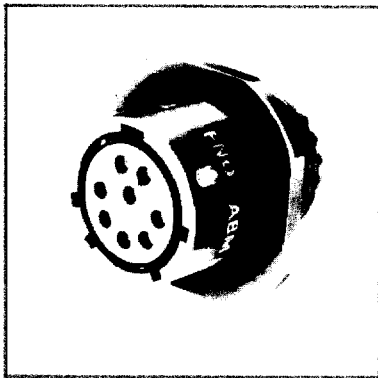


# AB Style:- AB05-1000 Cable Connecting Receptacle

## BS Style:- C2101

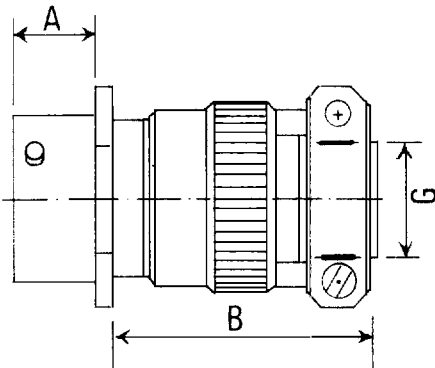


— Metric       — Imperial

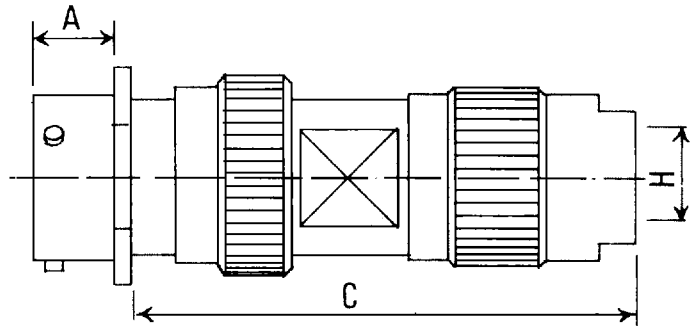
HOUSING (SHELL) SIZE	A max.	B max.	$\phi$ C max.	E max.	F thread	H max.	O <sub>m</sub> min.	MASS
					UNE F 2A		OVERLAP	MAX. G
08	26.4	13.8	24.4	2.8	7/16 - 28	26.0	7.3	8
	1.04	0.54	0.96	0.11		1.02	0.29	
10	26.4	13.8	27.7	2.8	9/16 - 24	26.0	7.3	13
	1.04	0.54	1.09	0.11		1.02	0.29	
12	26.4	13.8	30.0	2.8	1 1/16 - 24	26.0	7.3	17
	1.04	0.54	1.18	0.11		1.02	0.29	
14	26.4	13.8	32.3	2.8	1 3/16 - 20	26.0	7.3	24
	1.04	0.54	1.27	0.11		1.02	0.29	
16	26.4	13.8	34.8	2.8	1 5/16 - 20	26.0	7.3	30
	1.04	0.54	1.37	0.11		1.02	0.29	
18	26.4	13.8	37.1	2.8	1 7/16 - 18	26.0	7.3	37
	1.04	0.54	1.46	0.11		1.02	0.29	
20	30.4	17.8	40.4	3.3	1 3/8 - 18	28.5	8.9	59
	1.20	0.70	1.59	0.13		1.12	0.35	
22	30.4	17.8	43.4	3.3	1 9/16 - 18	28.5	8.9	72
	1.20	0.70	1.71	0.13		1.12	0.35	
24	30.4	18.6	46.7	3.3	1 7/8 - 18	30.0	8.9	85
	1.20	0.73	1.84	0.13		1.13	0.35	

\* Please consult factory

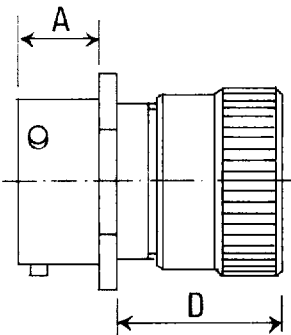
AB05-1027



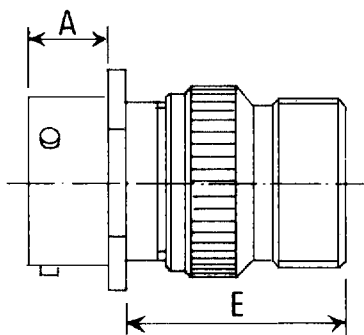
AB05-1029 (Type A & C Cables)  
AB05-1030 (Type B & Q Cables)



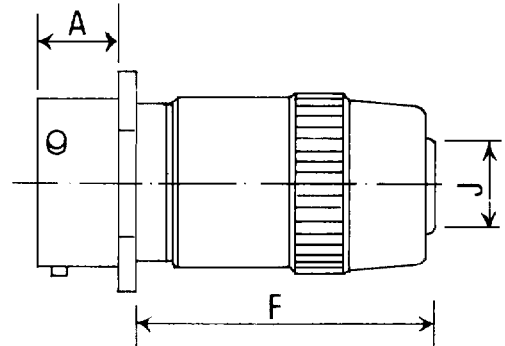
AB05-1040



AB05-1050



AB05-1055



- Metric     - Imperial

SHELL SIZE	A max.	B	C for AB05 1029	C for AB05 1030	D	E	F	CABLE DIA. $\phi$ MAX.	CABLE $\phi$ H MAX.	CABLE $\phi$ J MAX.
08	11-00	38-68	61-23	60-98	23-57	28-70	33-40	4-06	9-09	5-84
	0-433	1-523	2-411	2-401	0-928	1-130	1-315	0-160	0-358	0-230
10	11-00	38-68	61-49	61-06	23-57	28-70	33-40	5-02	9-09	7-92
	0-433	1-523	2-421	2-404	0-928	1-130	1-315	0-198	0-358	0-312
12	11-00	38-68	72-28	71-95	23-57	28-70	35-68	8-30	12-09	11-22
	0-433	1-523	2-846	2-833	0-928	1-130	1-405	0-327	0-476	0-442
14	11-00	38-68	71-70	71-83	23-57	28-70	33-98	9-77	13-20	13-69
	0-433	1-523	2-823	2-828	0-928	1-130	1-535	0-385	0-520	0-539
16	11-00	40-71	75-21	74-26	23-57	28-70	44-95	12-95	14-73	15-59
	0-433	1-603	2-961	2-924	0-928	1-130	1-770	0-510	0-580	0-614
18*										
20	14-50	43-58	74-77	*	22-50	28-42	53-67	16-12	17-24	18-89
	0-570	1-716	2-944		0-886	1-119	2-113	0-635	0-679	0-744
22*										
24	15-30	43-71	83-56	*	21-86	27-78	59-38	20-57	21-10	22-70
	0-602	1-721	3-290		0-861	1-094	2-338	0-810	0-831	0-894

\* Please consult factory