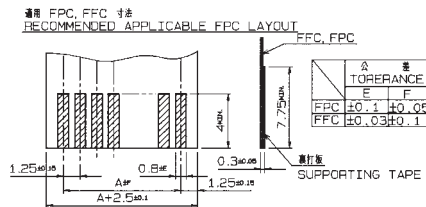
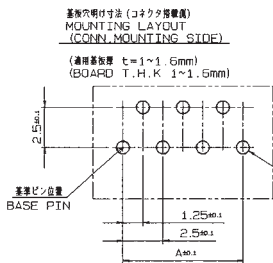
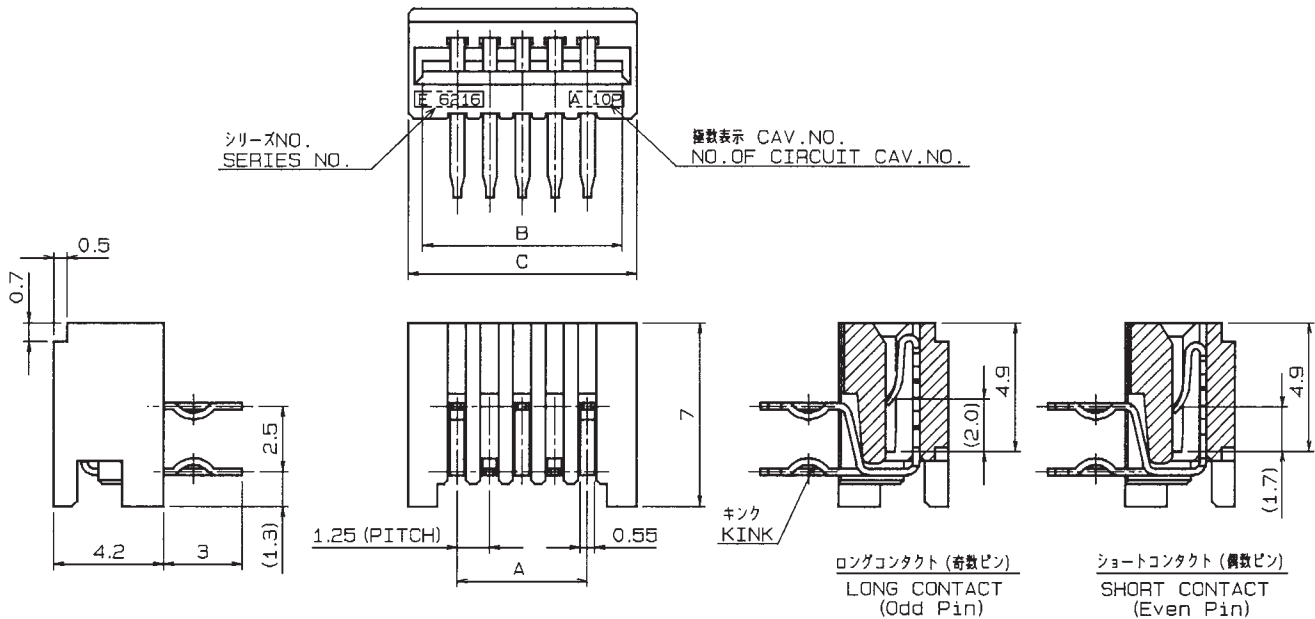


1.25mm Spacing

SERIES

6216

NON-ZIF ライトアングル DIP 上接点
LIF Right Angle Through Hole (Top Contact Type)



極数 NO. OF CIRCUIT	A	B	C	単位長さ UNITS/TUBE
4	3.75	6.41	7.50	51
5	5.00	7.66	8.75	53
6	6.25	8.91	10.00	46
7	7.50	10.16	11.25	41
8	8.75	11.41	12.50	37
9	10.00	12.66	13.75	34
10	11.25	13.91	15.00	31
11	12.50	15.16	16.25	29
12	13.75	16.41	17.50	27
13	15.00	17.66	18.75	25
14	16.25	18.91	20.00	23
15	17.50	20.16	21.25	22
16	18.75	21.41	22.50	21
17	20.00	22.66	23.75	20
18	21.25	23.91	25.00	19
19	22.50	25.16	26.25	18
20	23.75	26.41	27.50	17
21	25.00	27.66	28.75	16
22	26.25	28.91	30.00	15
23	27.50	30.16	31.25	15
24	28.75	31.41	32.50	14
25	30.00	32.66	33.75	14
26	31.25	33.91	35.00	13
27	32.50	35.16	36.25	13
28	33.75	36.41	37.50	12
29	35.00	37.66	38.75	12
30	36.25	38.91	40.00	11

注文コード ORDERING CODE

XX 6216 0XX 11X 808A

00: トレー梱包
TRAY PACKAGE
28: マガジン
TUBE PACKAGE

バリエーション VARIATION CODE
0: キック有 (両端各2ピン) WITH KINKED
(EACH TWO PINS AT BOTH ENDS)
1: キック無 WITHOUT KINKED

極数
NUMBER OF CONTACTS

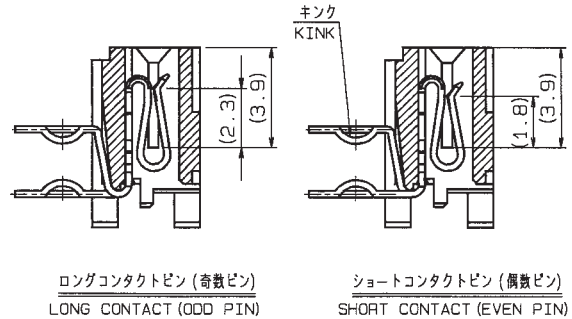
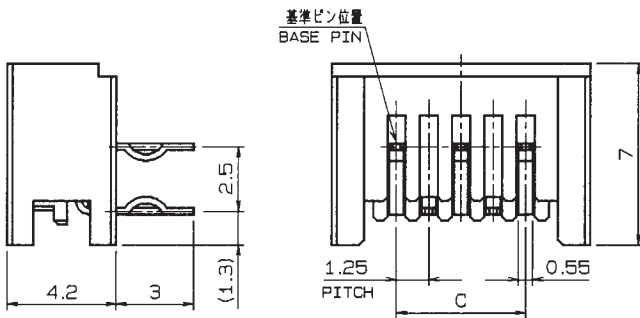
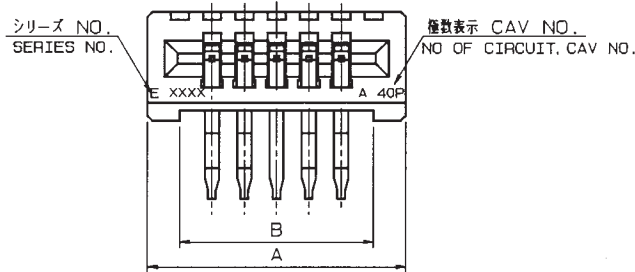
1.25mm Spacing

SERIES

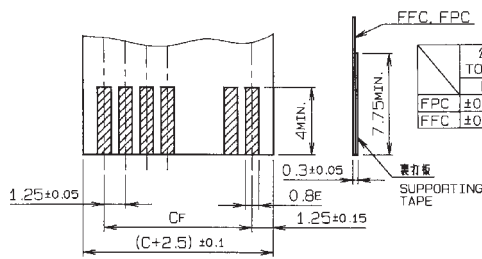
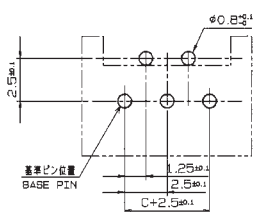
6216

NON-ZIF ライトアングル DIP 大極タイプ

LIF Right Angle Through Hole Height Pin Count



基板穴明け寸法 (コネクタ搭載側)
MOUNTING LAYOUT
(CONN. MOUNTING SIDE)
(適用基板厚 $t=1\sim1.6\text{mm}$)
(BOARD T.H.K. $1\sim1.6\text{mm}$)



	公差 TOLERANCE	
	E	F
FPC	± 0.1	± 0.05
FFC	± 0.03	± 0.1

極数 NO OF CIRCUIT	公差 TOLERANCE		
	A	B	C
31	42.50	40.16	37.50
32	43.75	41.41	38.75
33	45.00	42.66	40.00
34	46.25	43.91	41.25
35	47.50	45.16	42.50
36	48.75	46.41	43.75
37	50.00	47.66	45.00
38	51.25	48.91	46.25
39	52.50	50.16	47.50
40	53.75	51.41	48.75

適用 FPC, FFC
APPLICABLE FPC FFC

注文コード ORDERING CODE

00 6216 OXX 12X 808

00: トレー梱包
TRAY PACKAGE

極数
NUMBER
OF
CONTACTS

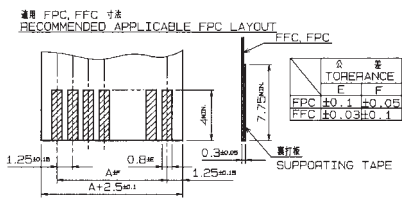
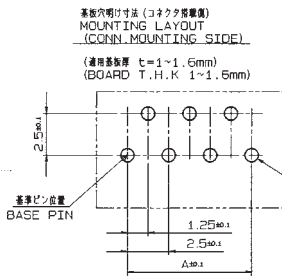
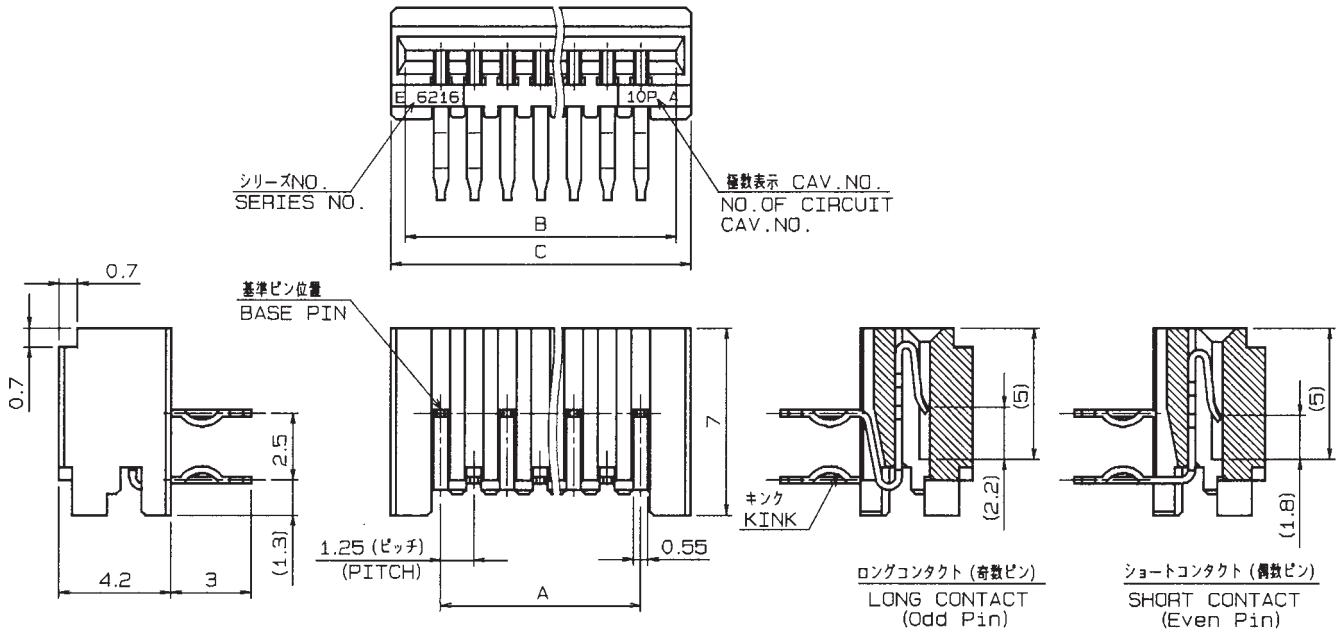
バリエーション VARIATION CODE
0: キック有 (両端各2ピン) WITH KINKED
(EACH TWO PINS AT BOTH ENDS)
1: キック無 WITHOUT KINKED

1.25mm Spacing

SERIES

6216

NON-ZIF ライトアングル DIP 下接点
LIF Right Angle Through Hole (Bottom Contact Type)



回路数 NO. OF CIRCUIT	A	B	C	単位数 UNITS/TUBE
4	3.75	6.41	7.50	51
5	5.00	7.66	8.75	53
6	6.25	8.91	10.00	45
7	7.50	10.16	11.25	41
8	8.75	11.41	12.50	37
9	10.00	12.66	13.75	34
10	11.25	13.91	15.00	31
11	12.50	15.16	16.25	29
12	13.75	16.41	17.50	27
13	15.00	17.66	18.75	25
14	16.25	18.91	20.00	23
15	17.50	20.16	21.25	22
16	18.75	21.41	22.50	21
17	20.00	22.66	23.75	20
18	21.25	23.91	25.00	19
19	22.50	25.16	26.25	18
20	23.75	26.41	27.50	17
21	25.00	27.66	28.75	16
22	26.25	28.91	30.00	15
23	27.50	30.16	31.25	15
24	28.75	31.41	32.50	14
25	30.00	32.66	33.75	14
26	31.25	33.91	35.00	13
27	32.50	35.16	36.25	13
28	33.75	36.41	37.50	12
29	35.00	37.66	38.75	12
30	36.25	38.91	40.00	11

注文コード ORDERING CODE

XX 6216 OXX 10X 808

00: トレー梱包
TRAY PACKAGE
28: マガジン
TUBE PACKAGE

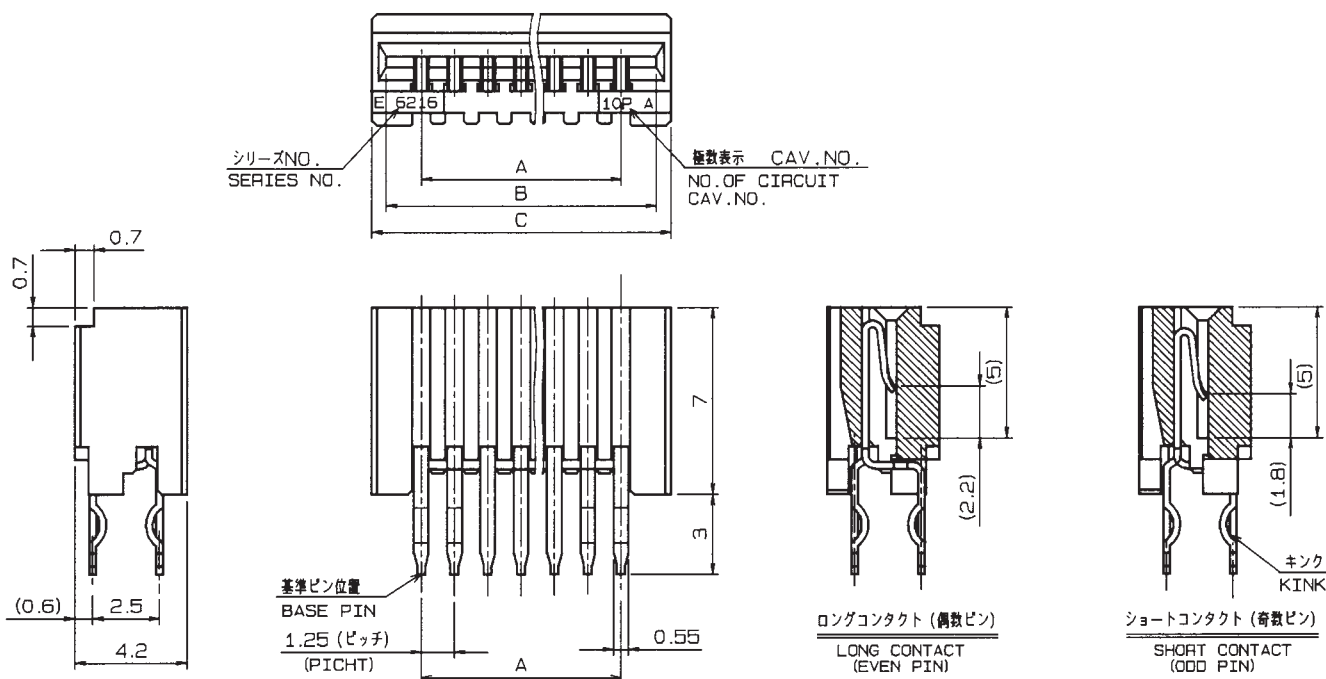
パリエーション VARIATION CODE
0: キック有 (両端各2ピン) WITH KINKED
(EACH TWO PINS AT BOTH ENDS)
1: キック無 WITHOUT KINKED

極数
NUMBER OF CONTACTS

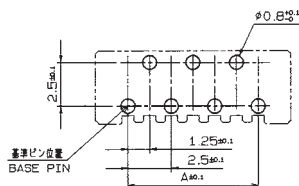
1.25mm Spacing

SERIES

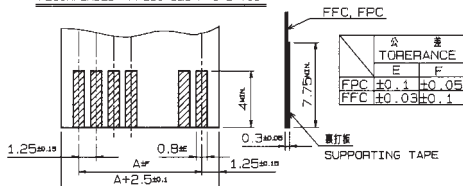
6216 NON-ZIF ストレート DIP LIF Vertical Through Hole



基板穴明け寸法 (コネクタ接続側)
MOUNTING LAYOUT
(CONN. MOUNTING SIDE)
(適用基板厚 $t=1\sim 1.6\text{mm}$)
(BOARD T. H. K. $1\sim 1.6\text{mm}$)



適用 FPC, FFC 寸法
RECOMMENDED APPLICABLE FPC LAYOUT



極数 NO. OF CIRCUIT	A	B	C
4	3.75	6.41	7.50
5	5.00	7.66	8.75
6	6.25	8.91	10.00
7	7.50	10.16	11.25
8	8.75	11.41	12.50
9	10.00	12.66	13.75
10	11.25	13.91	15.00
11	12.50	15.16	16.25
12	13.75	16.41	17.50
13	15.00	17.66	18.75
14	16.25	18.91	20.00
15	17.50	20.16	21.25
16	18.75	21.41	22.50
17	20.00	22.66	23.75
18	21.25	23.91	25.00
19	22.50	25.16	26.25
20	23.75	26.41	27.50
21	25.00	27.66	28.75
22	26.25	28.91	30.00
23	27.50	30.16	31.25
24	28.75	31.41	32.50
25	30.00	32.66	33.75
26	31.25	33.91	35.00
27	32.50	35.16	36.25
28	33.75	36.41	37.50
29	35.00	37.66	38.75
30	36.25	38.91	40.00

注文コード ORDERING CODE

00 6216 OXX 00X 808

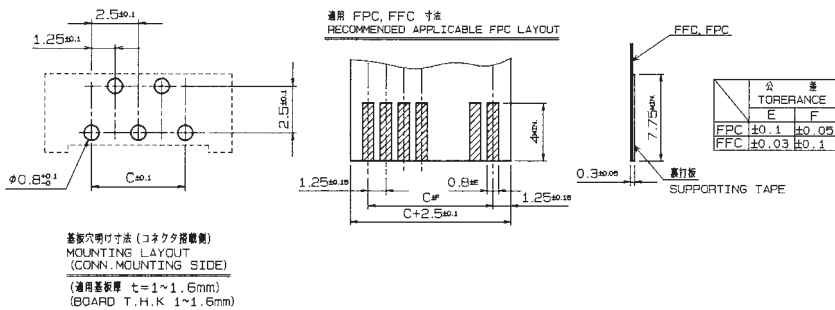
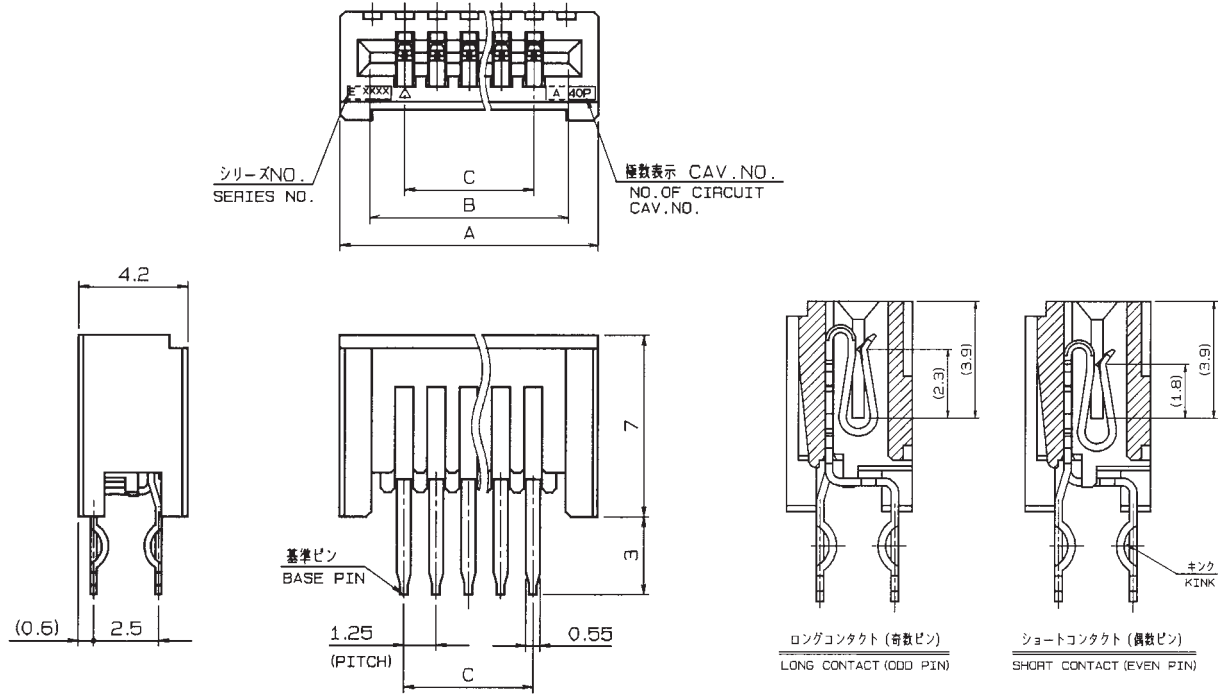
極数 NUMBER OF CONTACTS
 パリエーション VARIATION CODE
 0: キック有 (両端各2ピン) WITH KINKED (EACH TWO PINS AT BOTH ENDS)
 1: キック無 WITHOUT KINKED

1.25mm Spacing

SERIES

6216

NON-ZIF ストレート DIP 大極タイプ
LIF Vertical Through Hole Height Pin Count



極数 NO. OF CIRCUIT	A	B	C
31	42.50	40.16	37.50
32	43.75	41.41	38.75
33	45.00	42.66	40.00
34	46.25	43.91	41.25
35	47.50	45.16	42.50
36	48.75	46.41	43.75
37	50.00	47.66	45.00
38	51.25	48.91	46.25
39	52.50	50.16	47.50
40	53.75	51.41	48.75

注文コード ORDERING CODE

00 6216 1XX 82X 808

00: トレー梱包
TRAY PACKAGE

極数
NUMBER
OF
CONTACTS

バリエーション VARIATION CODE
0: キック有 (両端各2ピン) WITH KINKED
(EACH TWO PINS AT BOTH ENDS)
1: キック無 WITHOUT KINKED