



(0,80mm) .0315"

FCC8, FCS8 SERIES

FCC8-30-01-L-03.00-S

FCC8-10-01-L-03.00-S

FCS8-20-01-L-S-A-TR

FCS8-10-01-L-S-A-TR

HIGH SPEED COST EFFECTIVE COAX CABLE

SPECIFICATIONS

For complete specifications see www.samtec.com?FCC8

- Cable:** 36 AWG micro discrete coax cable
- Signal Rating:** 50Ω Single-Ended
- Overall Length:** (1m) 40" standard
- Cable Flexing Life:** >10,000 cycles
- Cable Bending Radius:** <2,5mm
- Plating:** Au over 50μ" (1,27μm) Ni
- Current Rating:** .6A @ 95°C ambient
- Cable Propagation Delay:** 4.4 nsec/meter
- Operating Temp Range:** TBD
- RoHS Compliant:** Yes



Note: Cable lengths longer than 40.00" (1 meter) are not supported with S.I. test data.

Note: Verify part number with Samtec's Interactive Cable Builder at www.samtec.com/cable_builder/pitch.aspx

Note: Some lengths, styles and options are non-standard, non-returnable.

FCC8

NO. OF POSITIONS

01

PLATING OPTION

CABLE LENGTH

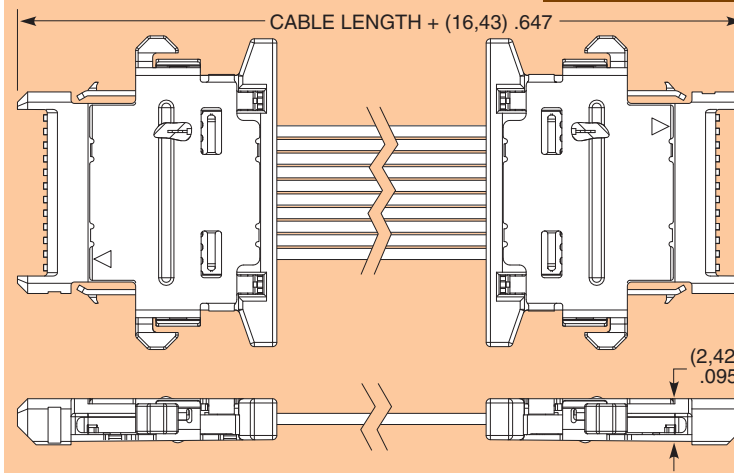
S

Mates with:
FCS8

-10, -20, -30

-L
= 10μ" (0,25μm)
Gold on contact

- "XX.XX"
= Length in Inches
03.00" (76,2mm) MIN



APPLICATION SPECIFIC

- Other sizes and lengths
 - Other terminations
 - Other wire AWG
- Contact dr@samtec.com

Cable Length	Rated @ 7dB Insertion Loss
39.37" (1m)	1.79 GHz / 3.58 Gbps

Performance and complete test data available at www.samtec.com?FCC8, www.samtec.com?FCS8 or contact sig@samtec.com

SPECIFICATIONS

For complete specifications and recommended PCB layouts see www.samtec.com?FCS8

- Insulator Material:** Black LCP
- Contact Material:** BeCu
- Contact Plating:** Au or Sn over 50μ" (1,27μm) Ni
- Shield:** Nickel Plated Phosphor Bronze
- Operating Temp Range:** -55°C to +125°C
- Current Rating:** .6A @ 95°C ambient
- RoHS Compliant:** Yes
- Processing:** Lead-Free Solderable: Yes
- SMT Lead Coplanarity:** (0,15mm) .006" max

Note: Some lengths, styles and options are non-standard, non-returnable.

FCS8

NO. OF POSITIONS

01

PLATING OPTION

S

A

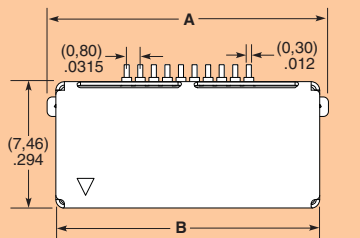
TR

Mates with:
FCC8

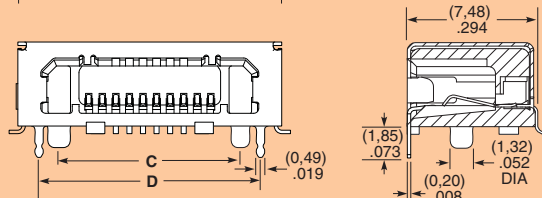
-10, -20, -30

-L
= 10μ" (0,25μm) Gold on contact,
Matte Tin on tail

-TR
= Tape & Reel



NO. OF POSITIONS	A	B	C	D
-10	(16,59) .653	(15,56) .613	(10,70) .421	(13,06) .514
-20	(24,59) .968	(23,56) .928	(18,70) .736	(21,06) .829
-30	(32,59) 1.283	(31,56) 1.243	(26,70) 1.051	(29,06) 1.144



- Weld tabs
- Positive latching
- Shielded for EMI protection

Due to technical progress, all designs, specifications and components are subject to change without notice.

WWW.SAMTEC.COM