



SMD Isolator



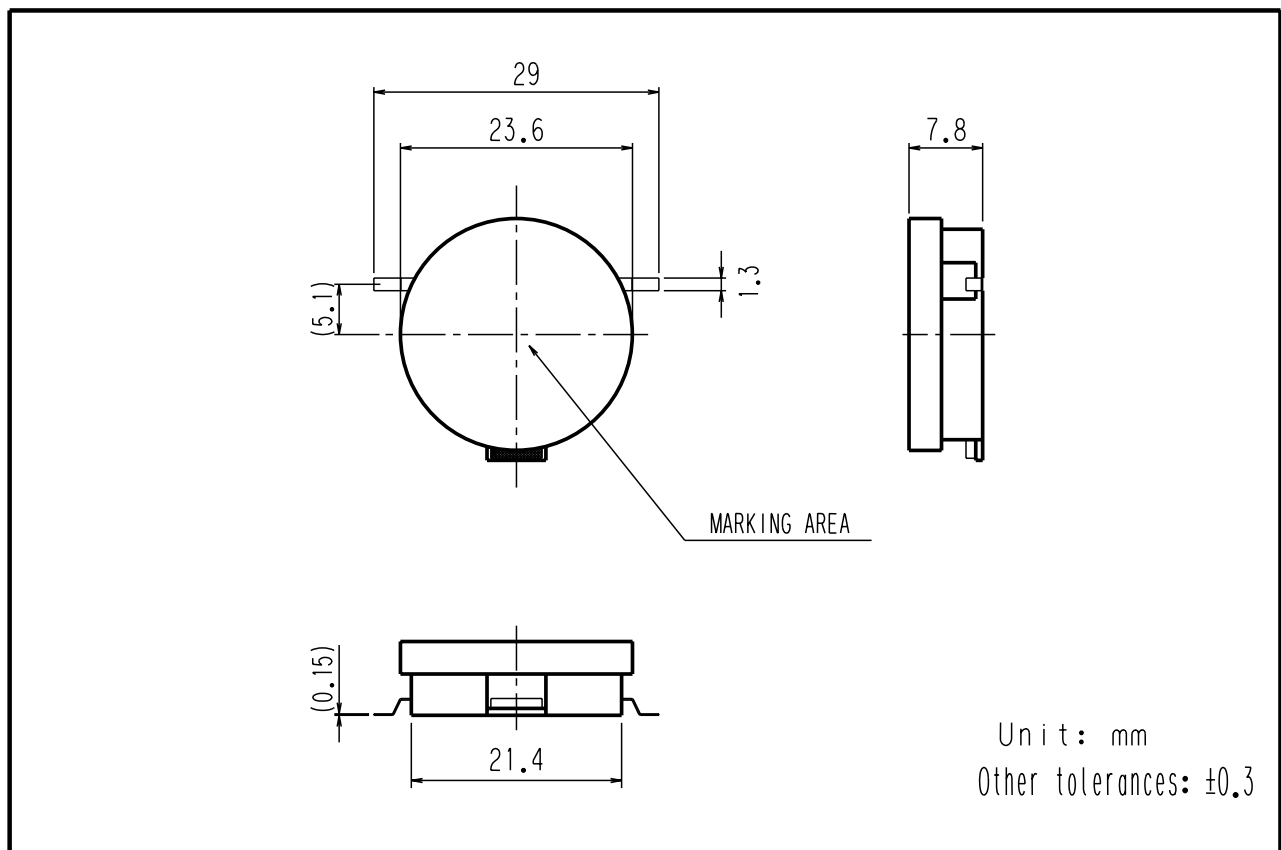
Part No. DSI-22R2.140G

CAT-235

● Specifications

Frequency	2090 - 2190 MHz
Band Width	Full
Insertion Loss	0.35 dB max
Isolation	22 dB min
V.S.W.R	1.20 max
Handling Power	30 W max
Refraction Power	10 W max
Operating Temp.	-10 - +85 °C
Impedance	50 Ω

● Dimensions



Hitachi Metals, Ltd.