

Series A5000 & Series CB5000

Single Row Terminal Blocks

SPECIFICATIONS

Rating: 10A, 300V*

Center Spacing: .250" (6.35 mm)

Wire Range: #16-30 AWG CU

Screw Size: #3-48 zinc plated phillslot SEMS screws, wire-ready standard

Torque Rating: 4 in-lbs.

Distance Between Barriers: .20" (5.08 mm)

Recommended PCB Hole Diameter: .062" (1.57 mm)

Operating Temperature: 105°C (221°F) max., -40°C

(-40°F) min.

Molded Material: Black, UL Rated 94V0 Thermoplastic

Breakdown Voltage: 1600V rms

Agency Information: UL/CSA; CE Certified

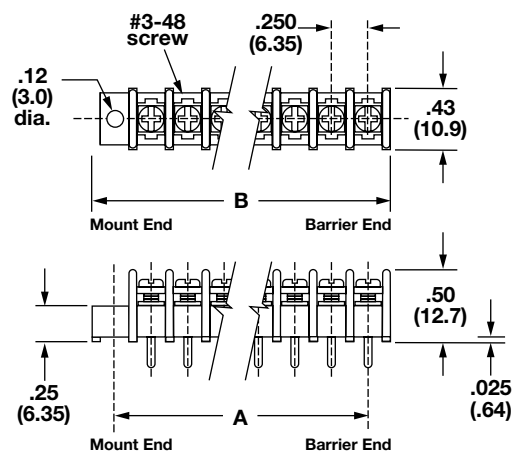
* Max. rating shown; some options may be rated lower – consult factory.



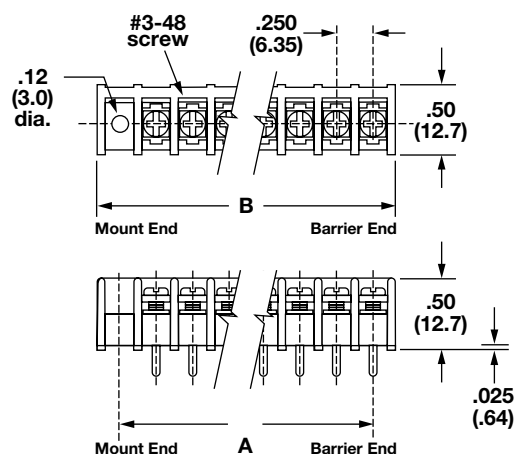
Poles	MOUNTING ENDS		BARRIER ENDS	
	A Mount Centers	B Overall Length	A Pole Centers	B Overall Length
02	.75	1.06	.25	.56
03	1.00	1.31	.50	.81
04	1.25	1.56	.75	1.06
05	1.50	1.81	1.00	1.31
06	1.75	2.06	1.25	1.56
07	2.00	2.31	1.50	1.81
08	2.25	2.56	1.75	2.06
09	2.50	2.81	2.00	2.31
10	2.75	3.06	2.25	2.56
11	3.00	3.31	2.50	2.81
12	3.25	3.56	2.75	3.06
13	3.50	3.81	3.00	3.31
14	3.75	4.06	3.25	3.56
15	4.00	4.31	3.50	3.81
16	4.25	4.56	3.75	4.06
17	4.50	4.81	4.00	4.31
18	4.75	5.06	4.25	4.56
19	5.00	5.31	4.50	4.81
20	5.25	5.56	4.75	5.06
21	5.50	5.81	5.00	5.31
22	5.75	6.06	5.25	5.56
23	6.00	6.31	5.50	5.81
24	6.25	6.56	5.75	6.06
25	6.50	6.81	6.00	6.31
26	6.75	7.06	6.25	6.56
27	7.00	7.31	6.50	6.81
28	7.25	7.56	6.75	7.06
29			7.00	7.31
30			7.25	7.56

* Dimensions in inches. To convert to millimeters, multiply by 25.4.

A5000 Series



CB5000 Series

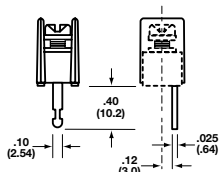


Part Numbering System

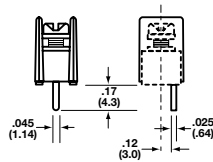
Series	Terminal Style	Base/End	Poles	Screw Options	Options
A5					
CB5					
A5 - standard barrier CB5 - closed barrier	01 - handwired 02 - printed circuit 03 - non feed-thru 04 - wire wrap tail	1 - mount end 2 - barrier end	02 to 30 02 to 28 on mount end base	07 - steel SEMS std. wire ready	C1 to C8 - .110" QC L1 to L6 marking options (pg 22) LT1 to LT6 marking options (CB5 only-pg 22) OJ - over barrier jumper S1 - single solder lug/flat S2 - double solder lug/flat (A5 only)

Terminal Styles

Inches (Millimeters)



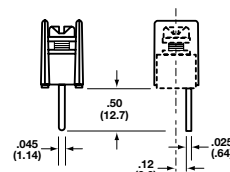
01
Handwired



02
Circuit Board



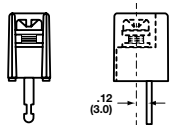
03
Non Feed-Thru



04
Wire Wrap Tail

CB5 Terminal Exit Options

Inches (Millimeters)



Exit Rear (std.)

Screw Options Wire ready screws standard on all terminal styles



07
Steel SEMS
Zinc Plated



07
Standard
Wire Ready

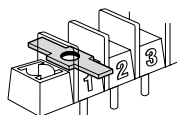
Hardware Options (Bulk ordering part numbers are in parentheses.)

Jumpers

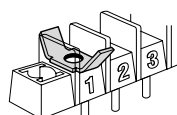


OJ12

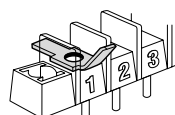
Quick Connects Blade Width .110" (For other orientations, contact factory.)



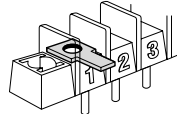
C1 (5C1) *



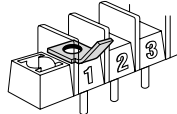
C2 (5C2) *



C4 (5C4) *



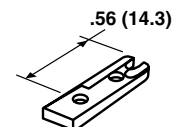
C7 (5C7)



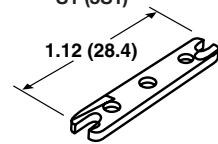
C8 (5C8)

* N/A on CB5 Series.

Solder Lugs



S1 (5S1)



S2 (5S2)