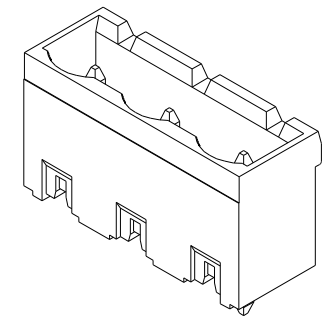
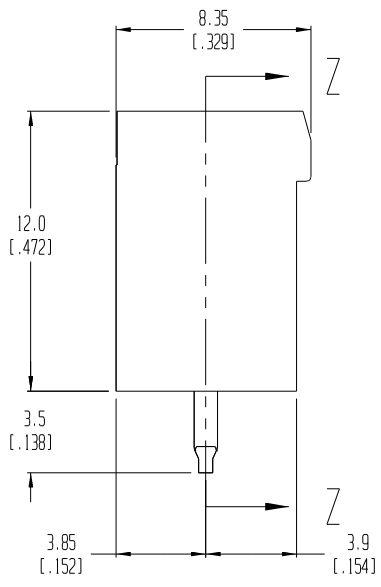
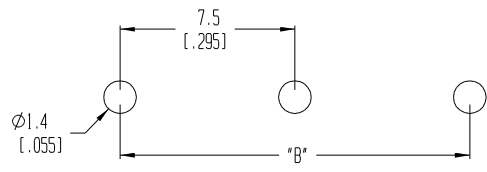


SECTION Z-Z



AUX. VIEW SCALE 3:1



PTH PATTERN RECOMMENDED

| MATERIAL NUMBER | NUMBER OF CIRCUITS "XX" | A           | B             |
|-----------------|-------------------------|-------------|---------------|
| 039372-0002     | 2                       | 14.2 [0.56] | 7.50 [0.295]  |
| 039372-0003     | 3                       | 21.7 [0.85] | 15.00 [0.591] |
| 039372-0004     | 4                       | 29.2 [1.15] | 22.50 [0.886] |
| 039372-0005     | 5                       | 36.7 [1.44] | 30.00 [1.181] |
| 039372-0006     | 6                       | 44.2 [1.74] | 37.50 [1.476] |
| 039372-0007     | 7                       | 51.7 [2.04] | 45.00 [1.772] |
| 039372-0008     | 8                       | 59.2 [2.33] | 52.50 [2.067] |
| 039372-0009     | 9                       | 66.7 [2.63] | 60.00 [2.362] |
| 039372-0010     | 10                      | 74.2 [2.92] | 67.50 [2.657] |
| 039372-0011     | 11                      | 81.7 [3.22] | 75.00 [2.953] |
| 039372-0012     | 12                      | 89.2 [3.51] | 82.50 [3.248] |

- NOTES:
1. MATERIAL: SEE TABLE
  2. FINISHES: SEE TABLE
  3. PRODUCT SPECIFICATION: NOT REQUIRED
  4. PACKAGING: NOT REQUIRED
  5. MATES WITH: 7.5MM PLUGS
  6. "XX" - REFERS TO THE NUMBER OF CIRCUIT POSITIONS

| ITEM | QTY. | DESCRIPTION | MATERIAL     | FINISH     |
|------|------|-------------|--------------|------------|
| 2    | XX   | PIN         | PHOS. BRONZE | TIN-PLATED |
| 1    | 1    | HOUSING     | POLYIMIDE    | BLACK      |

ECN# 3946  
DRN: CY 09-03-04

QUALITY SYMBOLS

MAJOR =

CRITICAL =

SPC =

DESCRIPTION

REV

GENERAL TOLERANCES: (UNLESS SPECIFIED)

|          |       |        |
|----------|-------|--------|
|          | mm    | INCH   |
| 4 PLACES |       | ±.0015 |
| 3 PLACES | ±.038 | ±.005  |
| 2 PLACES | ±.13  | ±.01   |
| 1 PLACE  | ±.3   |        |

ANGULAR: ±2°

DRAFT WHERE APPLICABLE MUST REMAIN WITHIN DIMENSIONS

SCALE 5:1

DESIGN UNITS  mm  INCH

DRAWN BY & DATE  
W HOWARD 07/18/03

CHECKED BY & DATE  
R. KEMP 07/22/03

APPROVED BY & DATE  
P. WALTZ 07/22/03

CAD FILENAME  
3716XX

PROJECT NO. - - -

DIMENSIONS:  mm  INCH  mm ONLY

THIRD ANGLE PROJECTION

TITLE:  
7.5MM STRAIGHT, HEADER, BLACK

MATERIAL NO. SEE CHART

DRAWING NO. SD-39372-001

SHEET NO. 1 OF 1

THIS DRAWING CONTAINS INFORMATION THAT IS PROPRIETARY TO MOLEX INCORPORATED AND SHOULD NOT BE USED WITHOUT WRITTEN PERMISSION.

