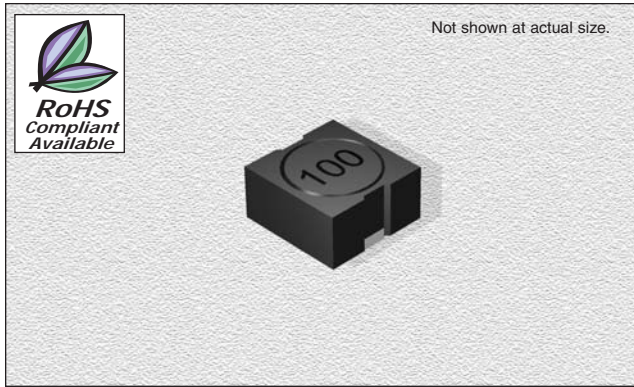


CTCDRH104 Series

From 1.0 μ H to 470 μ H



CHARACTERISTICS

Description: SMD (shielded) power inductor

Applications: VTR power supplies, OA equipment, LCD televisions, PC notebooks, portable communication equipment, DC/DC converters

Inductance Tolerance: $\pm 20\%$

Testing: Inductance is tested on an HP4285A at 100kHz

Packaging: Tape & Reel

Marking: Marked with inductance code

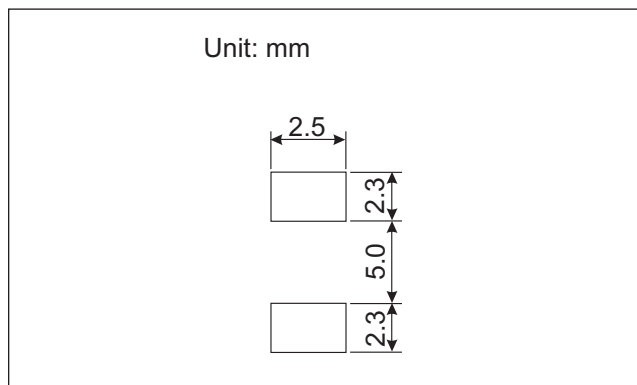
Rated DC: Maximum allowable DC current is that which causes a 25% inductance reduction from the initial value, or coil temperature to rise by 40°C, whichever is smaller. (Reference ambient temperature 25°C).

Miscellaneous: RoHS Compliant available

Additional Information: Additional electrical & physical information available upon request

Samples available. See website for ordering information.

RECOMMENDED LAND PATTERN



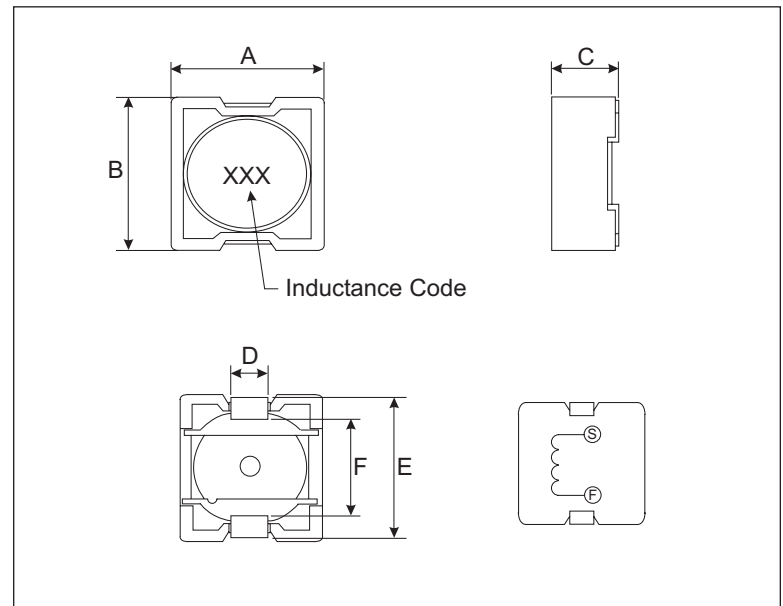
SPECIFICATIONS

Parts are only available in $\pm 20\%$ inductance tolerance.
CTCDRH104E Please specify "F" for RoHS Compliant

Part Number	Inductance (μ H)	L Test Freq. (kHz)	DCR Max. (Ω)	Rated DC (A)
CTCDRH104_-1R0M	1.0	100	.014	8.50
CTCDRH104_-1R5M	1.5	100	.017	8.00
CTCDRH104_-2R2M	2.2	100	.024	7.50
CTCDRH104_-3R3M	3.3	100	.029	7.00
CTCDRH104_-4R7M	4.7	100	.032	6.00
CTCDRH104_-6R8M	6.8	100	.044	5.00
CTCDRH104_-100M	10	100	.050	2.40
CTCDRH104_-120M	12	100	.054	2.25
CTCDRH104_-150M	15	100	.069	2.00
CTCDRH104_-180M	18	100	.084	1.80
CTCDRH104_-220M	22	100	.094	1.65
CTCDRH104_-270M	27	100	0.11	1.45
CTCDRH104_-330M	33	100	0.15	1.35
CTCDRH104_-390M	39	100	0.17	1.20
CTCDRH104_-470M	47	100	0.21	1.10
CTCDRH104_-560M	56	100	0.23	1.00
CTCDRH104_-680M	68	100	0.29	0.93
CTCDRH104_-820M	82	100	0.36	0.84
CTCDRH104_-101M	100	100	0.41	0.76
CTCDRH104_-121M	120	100	0.45	0.70
CTCDRH104_-151M	150	100	0.64	0.63
CTCDRH104_-181M	180	100	0.84	0.57
CTCDRH104_-221M	220	100	0.86	0.52
CTCDRH104_-271M	270	100	1.07	0.47
CTCDRH104_-331M	330	100	1.37	0.43
CTCDRH104_-391M	390	100	1.55	0.39
CTCDRH104_-471M	470	100	1.74	0.36

PHYSICAL DIMENSIONS

Size	A Max.	B Max.	C Max.	D Typ.	E Typ.	F Typ.
mm	9.2	10.1	5.0	2.0	8.3	5.3
inches	0.362	0.398	0.197	0.079	0.327	0.209



06.05.06