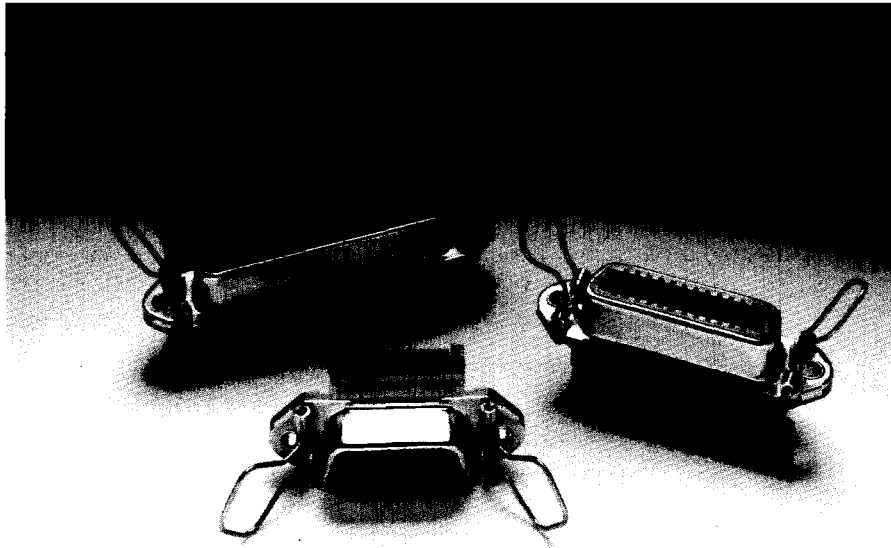


MICRO-RIBBON CABLE-MOUNT RECEPTACLE WITH FRONT METAL SHELL



benefits

- Mass terminates to flat cable on .050" centers
- Intermateable with other micro-ribbon connectors
- EMI/RFI suppression
- Repeated mating and unmating without damage
- Redundant insert provides contact stability
- Alternative plating available
- Strain relief
- Spring latches

characteristics

Physical

Contact spacing: .085" (2,16mm) — terminates to standard .050" (1,27mm) flat cable
 Number of contacts: 14, 24, 36 and 50
 Contact material: Copper alloy
 Contact area plating: Gold over nickel
 Insulator material: Blue, polycarbonate resin, UL flammability rating 94 V-0
 Mounting flange: Brass with nickel plating
 Wire accommodation: AWG 26 and 30 solid, AWG 28 stranded and solid

Electrical

Current rating: 1 amp
 Voltage rating: 250 AC RMS
 Test voltage: 500V AC RMS at sea level
 Insulation resistance: 1000 M ohm min. at 500V DC
 Operating temperature: -55°C +105°C (-67°F to +221°F)

description

The Amphenol 57FE series micro-ribbon connectors have a special contact design which allows use of standard .050" (1,27mm) flat cable in conjunction with standard .085" (2,16mm) contact center spacing. They are intermateable with Amphenol 57 series (solder termination) and 157 series Micro-Pierce® (solderless termination) connectors. Sturdy construction allows repeated mating and unmating without displacement of contacts and provided stability for quality termination to many types of flat cable.

compatibility

850-57FE series micro-ribbon connectors mate with the following Amphenol connectors:

57, 157, 842-57LE, 850-57F

The following Amphenol cable series are appropriate for use with these connectors:

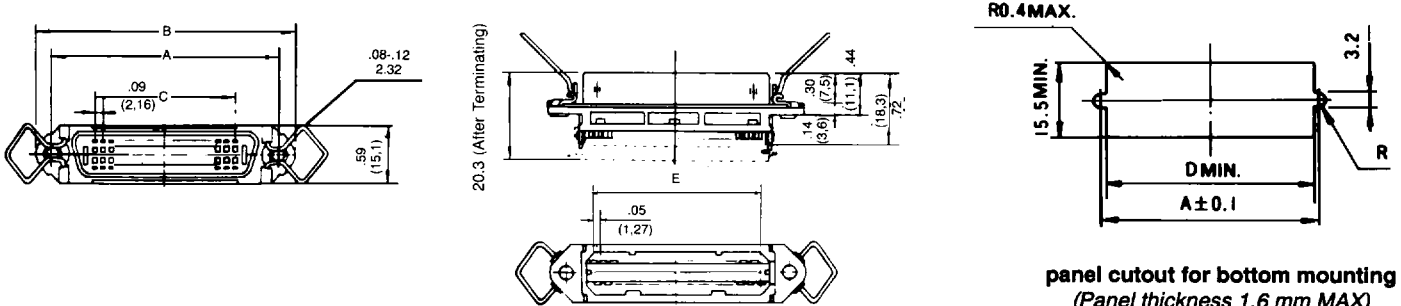
151, 152, 159-2801, 159-2832, 169-2832

If a grounded connection to this front metal shell receptacle is required, see previous page for the options necessary for grounding the 850-57F series all-plastic micro-ribbon plug.

termination tooling

See page 58

MICRO-RIBBON CABLE-MOUNT RECEPTACLE WITH FRONT METAL SHELL



Number of Contacts	For Cable-to-Cable or Front Panel Mount with spring latches		For Fixed (Rear) Panel Mount without spring latches		Dimensions in Inches (mm)				
	Without clinch nuts	With 4-40 clinch nut	With M3 clinch nut	With 4-40 clinch nut	A	B	C	D	E
14*	850-57FE-40140-20	850-57FE-40140-20 (D12)	850-57FE-40140-20 (D1)	850-57FE-20140-20	1.42 (36.00)	1.73 (44.00)	0.510 (12.96)	1.40 (35.5)	0.65 (16.51)
24*	850-57FE-40240-20	850-57FE-40240-20 (D12)	850-57FE-40240-20 (D1)	850-57FE-20240-20	1.84 (46.78)	2.16 (54.78)	0.935 (23.76)	1.82 (46.3)	1.15 (29.21)
36	850-57FE-40360-20	850-57FE-40360-20 (D12)	850-57FE-40360-20 (D1)	850-57FE-20360-20	2.35 (59.74)	2.67 (64.74)	1.446 (36.72)	2.33 (59.2)	1.75 (44.45)
50	850-57FE-40500-20	850-57FE-40500-20 (D12)	850-57FE-40500-20 (D1)	850-57FE-20500-20	2.95 (74.85)	3.26 (82.85)	2.041 (51.84)	2.93 (74.4)	2.45 (62.23)

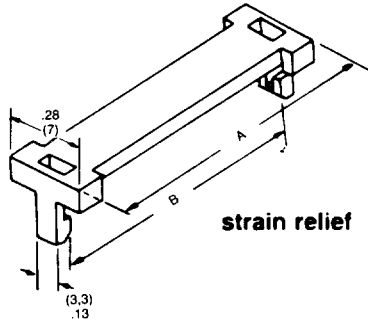
Notes: All contacts are plated with 15 microinches gold over nickel. Contact factory for other plating options.
 If a grounded connection to this front metal shell receptacle is required, see page 40 for the options necessary for grounding the 850-57F series all-plastic microribbon plug.

*14 and 24 sizes only available on special request.

accessories

Strain Relief

Number of Contacts	Part Numbers	Dimensions in Inches (mm)	
		A	B
14	850-57F-14-41	0.989 (25.1)	0.83 (21.1)
24	850-57F-24-41	1.50 (38.2)	1.34 (34.2)
36	850-57F-36-41	2.10 (53.4)	1.94 (49.4)
50	850-57F-50-41	2.77 (79.4)	2.61 (66.4)



I/O Connectors