

molex® Plastic MICRO Circular Connectors 1.277mm (.050) Pitch

FEATURES AND SPECIFICATIONS

Features and Benefits

- Quick Disconnect
- Snap Seal Feature on Plug for Environmental Sealing in Mated Condition
- .050 Contact Spacing
- 3-12 Contact Positions Available (standard is 12 contacts)
- Receptacle/Plug Available with Pin or Socket Contacts*
- Robust Strain Relief on Plug Connectors
- Optional Panel Mounting Methods Available (E-clip)
- Dust Cover Option Available for Receptacle Connector

Electrical

Current: 3A
Contact Resistance: 8 Milliohms Max.

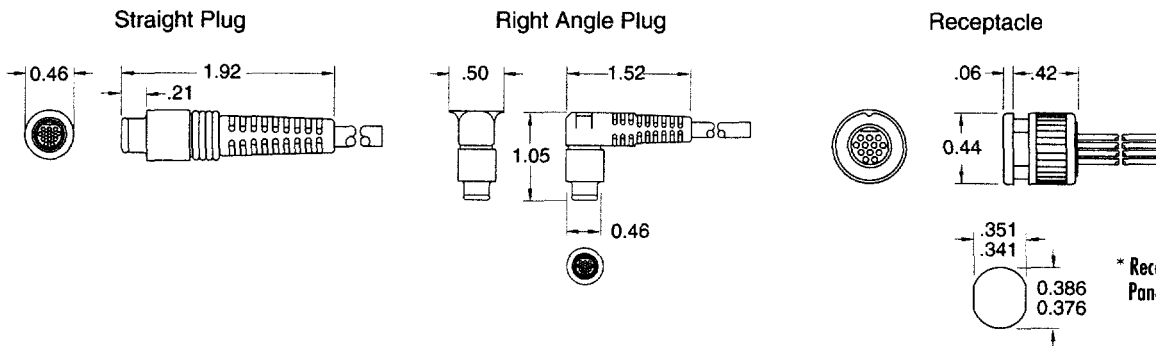
Mechanical

Contact Mating Force: 6 oz. Max. Each
Contact Unmating Force: 0.50 oz. Min. Each
Durability: 5000 cycles
Temp Rating: -55° to 80°C

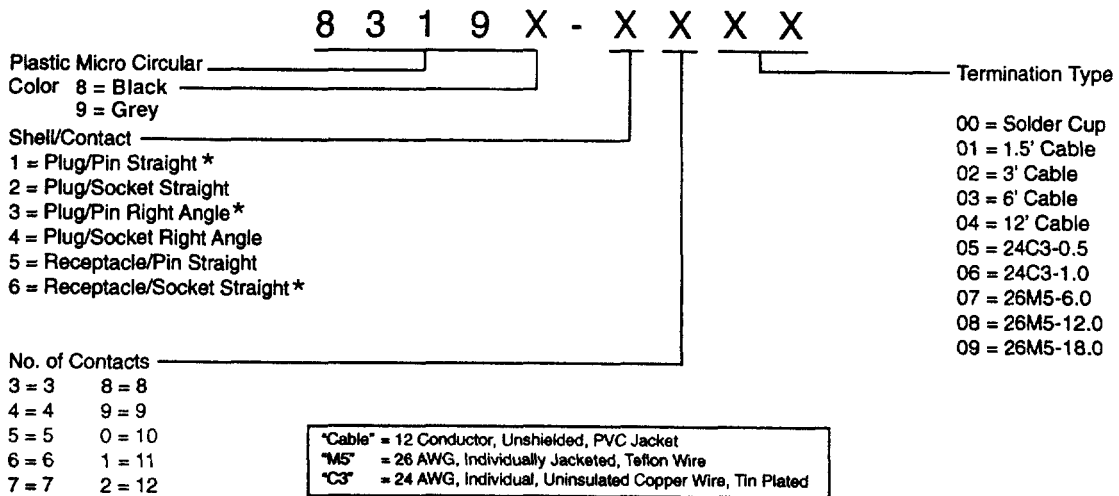
Physical

Insulators: GF Nylon
Contacts: Gold Plated Copper Alloy
Overmold: Polyurethane
Cable: PVC Jacket

ORDERING INFORMATION



PART NUMBER & ORDERING INFORMATION



* Recommended configuration is socket contacts in the receptacle connector, pin contacts in the plug connector.