

1.27mm (0.05") I.D.C. Transition Connector

Staggered Terminal

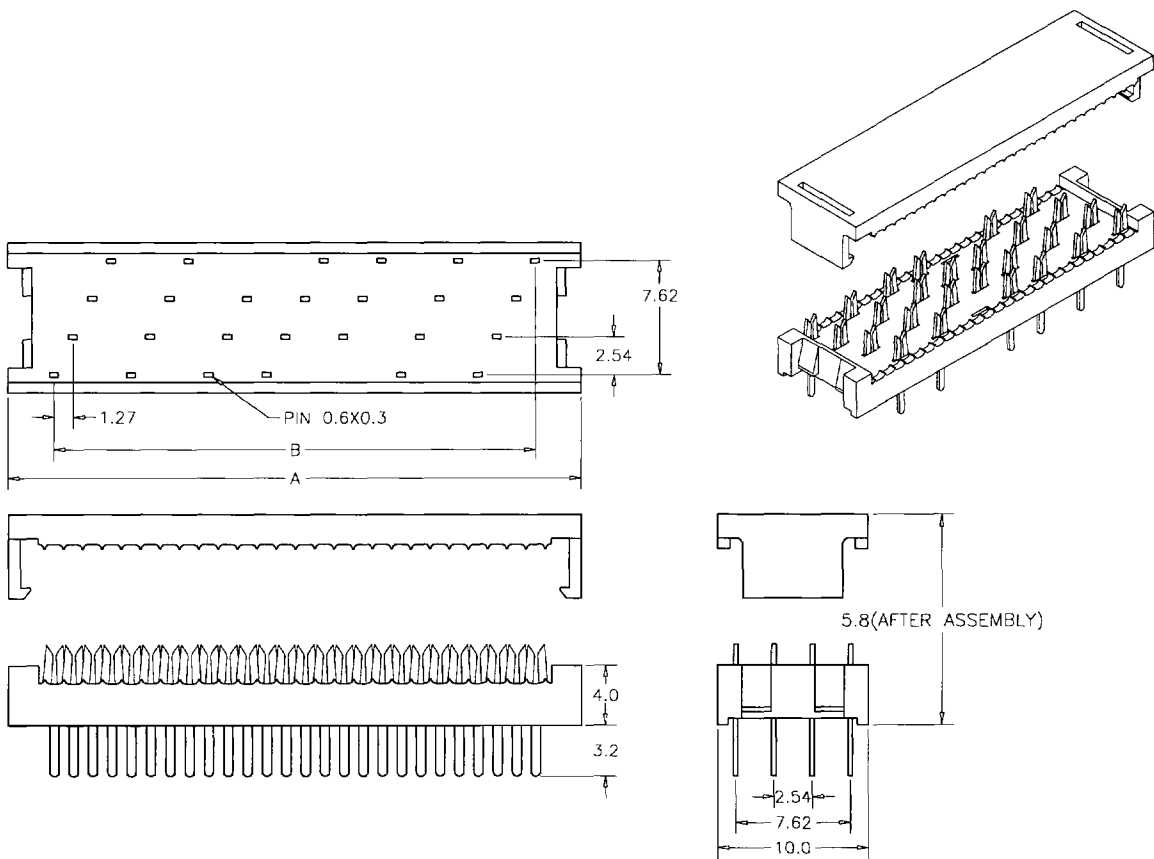
6608 Series

APPLICATION AND FEATURES

1. For 1.27mm(0.05") Center Flat Ribbon Cable.
2. A low cost solution to a P.C. Board as only one connector is required.
3. Low-profile for saving space(5.8mm After Assembly).
4. Is permanently soldered into P.C.Board with "header" foot.

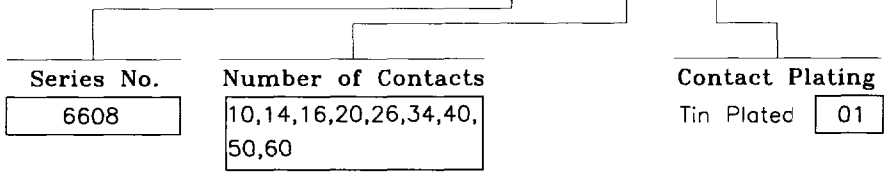
SPECIFICATIONS

Current Rating: 3 Amps
 Insulator resistance: 5000 Megohms min.
 Contact resistance: 20 m ohm Max.
 Dielectric withstanding: AC 500 V
 Operating Temperature: -40° to +105°C
 Contact Material: Phosphor bronze
 Insulator Material: Polyester, UL 94V-0
 ©Standard: P.B.T



Order Information 6608 Series

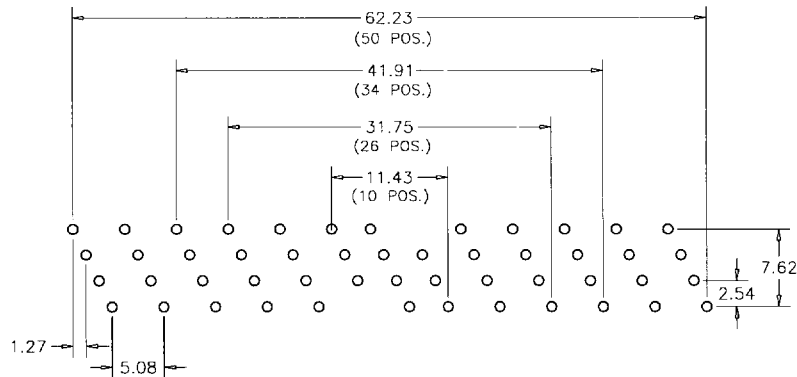
Example: 6608 - 34 - 01



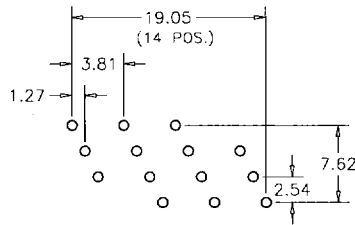
Recommended P.C.B. Hole Layout

6608 Series

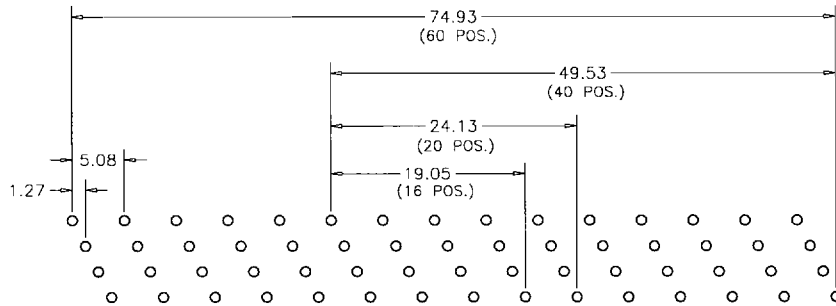
Hole pattern for the 10,26,34,50 position connectors.



14 POS. AS SHOWN



Hole pattern for the 16,20,40,60 position connectors.



NO.OF PIN	A	B	NO.OF PIN	A	B
10	17.50	11.43	34	47.98	41.91
14	22.58	16.51	40	55.60	49.53
16	25.12	19.05	50	68.30	62.23
20	30.20	24.13	60	81.00	74.93
26	37.82	31.75			