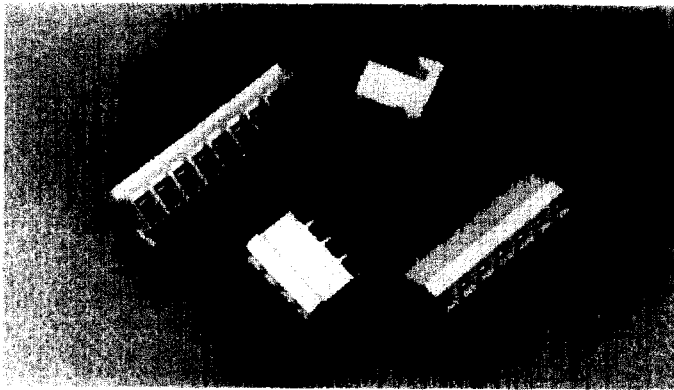


# .156" (3.96 mm) Dip Solder Connector



## 3000 Series Inverse Mount

Low cost, easy to use and the ability to meet exact requirements are some of the reasons Methode connector systems are one of the most versatile and dependable systems used in today's electronics. Mates with 3100-1, 3100-3, 3100-21, 3100-23 headers or .045" pins staked into P.C. boards.

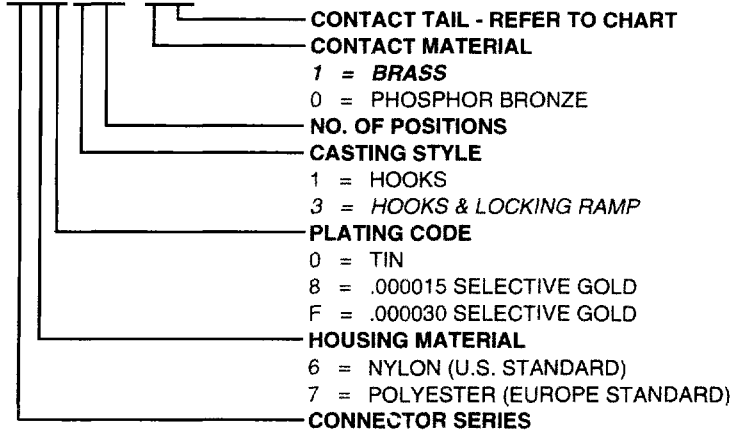
**Housing Material:** 94V-0 thermoplastic

**Contacts:** Plated brass  
Phosphor bronze available

**Optional Material:** 94V-2 consult factory

### PART NUMBER KEY

**30XX-XXX-2XXX**

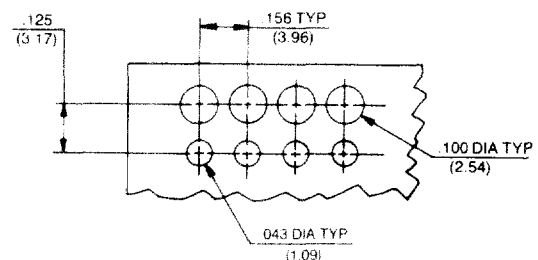
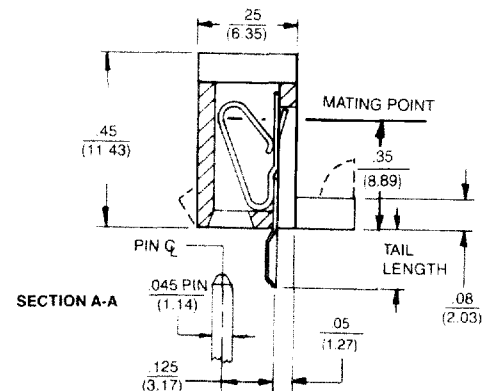
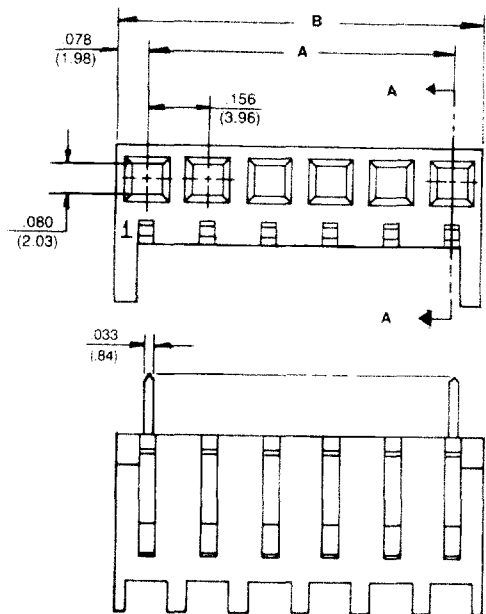


ALL DIMENSIONS ARE IN INCHES  
DIMENSIONS IN ( ) ARE IN MILLIMETERS

Contact Tail Chart

Contact Tail No.	Tail Length	
	Inch	MM
05	.156	3.96

Part Number	No. of Pos.	Dim. A.		Dim. B.	
		Inch	MM	Inch ± .010	MM ± .254
30XX-002-2XXX	2	.156	3.96	.312	7.92
30XX-003-2XXX	3	.312	7.92	.468	11.89
30XX-004-2XXX	4	.468	11.89	.624	15.85
30XX-005-2XXX	5	.624	15.85	.780	19.81
30XX-006-2XXX	6	.780	19.81	.936	23.77
30XX-007-2XXX	7	.936	23.77	1.092	27.74
30XX-008-2XXX	8	1.092	27.74	1.248	31.70
30XX-009-2XXX	9	1.248	31.70	1.404	35.66
30XX-010-2XXX	10	1.404	35.66	1.560	39.62
30XX-011-2XXX	11	1.560	39.62	1.716	43.59
30XX-012-2XXX	12	1.716	43.59	1.872	47.55
30XX-013-2XXX	13	1.872	47.55	2.028	51.51
30XX-014-2XXX	14	2.028	51.51	2.184	55.47
30XX-015-2XXX	15	2.184	55.47	2.340	59.43



RECOMMENDED P.C. BOARD LAYOUT