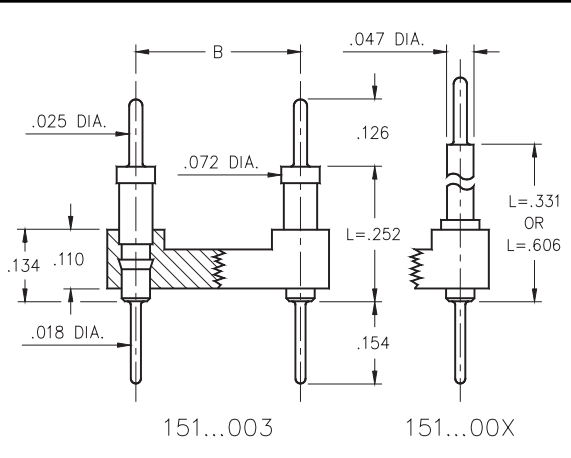


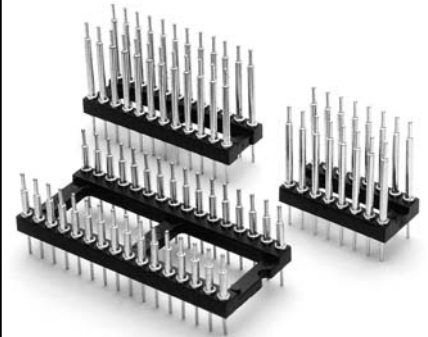


DUAL-IN-LINE PIN HEADERS
Interconnect
Open Frame

Series 151...003, 004, 005



- Combine .025" dia. tails with pluggable .018" dia. solder tails.
- Series:
151...003 uses pin# 5503
151...004 uses pin# 5504
151...005 uses pin# 5505
For pin details see page 172.
- Pin material: Brass alloy 360 1/2 hard.



Total number of pins				Quantity per tube	Ordering Information		
	A	B	C		L = .252	L = .331	L = .606
	10	0.5	0.2		0.3	41	151-XX-210-00-003
4	0.2	0.3	0.4	102	151-XX-304-00-003	151-XX-304-00-004	151-XX-304-00-005
6	0.3	0.3	0.4	67	151-XX-306-00-003	151-XX-306-00-004	151-XX-306-00-005
8	0.4	0.3	0.4	50	151-XX-308-00-003	151-XX-308-00-004	151-XX-308-00-005
10	0.5	0.3	0.4	40	151-XX-310-00-003	151-XX-310-00-004	151-XX-310-00-005
14	0.7	0.3	0.4	28	151-XX-314-00-003	151-XX-314-00-004	151-XX-314-00-005
16	0.8	0.3	0.4	25	151-XX-316-00-003	151-XX-316-00-004	151-XX-316-00-005
18	0.9	0.3	0.4	22	151-XX-318-00-003	151-XX-318-00-004	151-XX-318-00-005
20	1.0	0.3	0.4	20	151-XX-320-00-003	151-XX-320-00-004	151-XX-320-00-005
22	1.1	0.3	0.4	18	151-XX-322-00-003	151-XX-322-00-004	151-XX-322-00-005
24	1.2	0.3	0.4	16	151-XX-324-00-003	151-XX-324-00-004	151-XX-324-00-005
28	1.4	0.3	0.4	14	151-XX-328-00-003	151-XX-328-00-004	151-XX-328-00-005
20	1.0	0.4	0.5	20	151-XX-420-00-003	151-XX-420-00-004	151-XX-420-00-005
22	1.1	0.4	0.5	18	151-XX-422-00-003	151-XX-422-00-004	151-XX-422-00-005
24	1.2	0.4	0.5	16	151-XX-424-00-003	151-XX-424-00-004	151-XX-424-00-005
28	1.4	0.4	0.5	14	151-XX-428-00-003	151-XX-428-00-004	151-XX-428-00-005
32	1.6	0.4	0.5	12	151-XX-432-00-003	151-XX-432-00-004	151-XX-432-00-005
24	1.2	0.6	0.7	16	151-XX-624-00-003	151-XX-624-00-004	151-XX-624-00-005
28	1.4	0.6	0.7	14	151-XX-628-00-003	151-XX-628-00-004	151-XX-628-00-005
32	1.6	0.6	0.7	12	151-XX-632-00-003	151-XX-632-00-004	151-XX-632-00-005
36	1.8	0.6	0.7	11	151-XX-636-00-003	151-XX-636-00-004	151-XX-636-00-005
40	2.0	0.6	0.7	10	151-XX-640-00-003	151-XX-640-00-004	151-XX-640-00-005
42	2.1	0.6	0.7	9	151-XX-642-00-003	151-XX-642-00-004	151-XX-642-00-005
48	2.4	0.6	0.7	8	151-XX-648-00-003	151-XX-648-00-004	151-XX-648-00-005
50	2.5	0.6	0.7	8	151-XX-650-00-003	151-XX-650-00-004	151-XX-650-00-005
52	2.6	0.6	0.7	7	151-XX-652-00-003	151-XX-652-00-004	151-XX-652-00-005
50	2.5	0.9	1.0	8	151-XX-950-00-003	151-XX-950-00-004	151-XX-950-00-005
52	2.6	0.9	1.0	7	151-XX-952-00-003	151-XX-952-00-004	151-XX-952-00-005
64	3.2	0.9	1.0	6	151-XX-964-00-003	151-XX-964-00-004	151-XX-964-00-005
SPECIFY PLATING CODE XX=					10	90	
Pin Plating					10μ" Au	200μ" Sn/Pb	