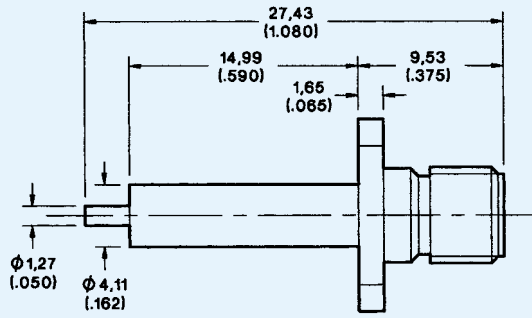


Flange Mount Receptacles

Straight Jack, Stub Contact, Extended Dielectric

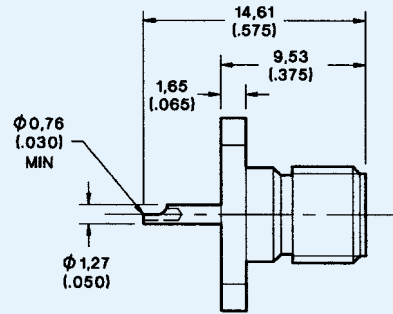
Part Numbers	
Square Flange	Narrow Flange
A50-645-4520890	A50-645-4540890



SMA

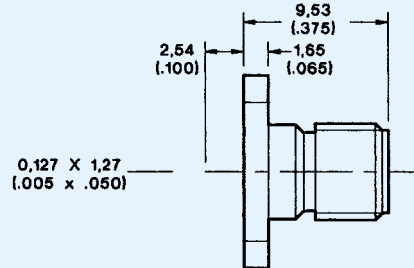
Straight Jack, Solder Pot Contact, Flush Dielectric

Part Numbers	
Square Flange	Narrow Flange
A50-645-4504890	A50-645-4526890

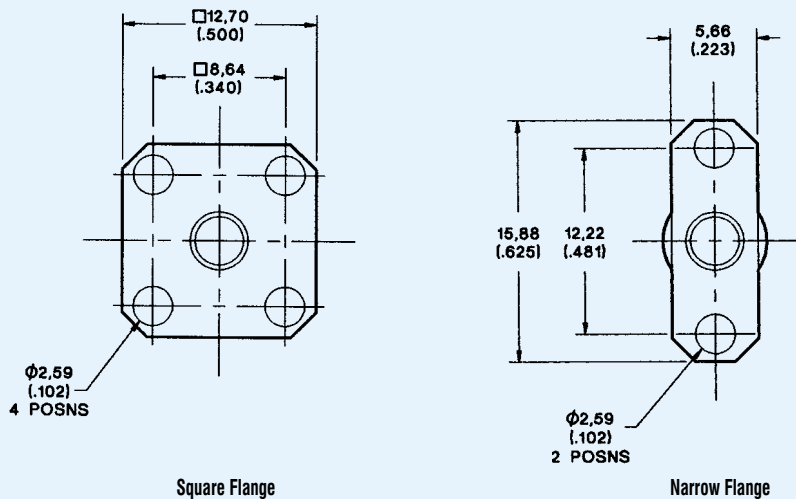


Straight Jack, Tab Contact, Flush Dielectric

Part Numbers	
Square Flange	Narrow Flange
A50-645-4575890	A50-645-4528890



Flange Dimensions for Flange Mount Receptacles and Panel Jacks.



ALL FLANGE MOUNT RECEPTACLES HAVE CAPTIVATED CONTACTS