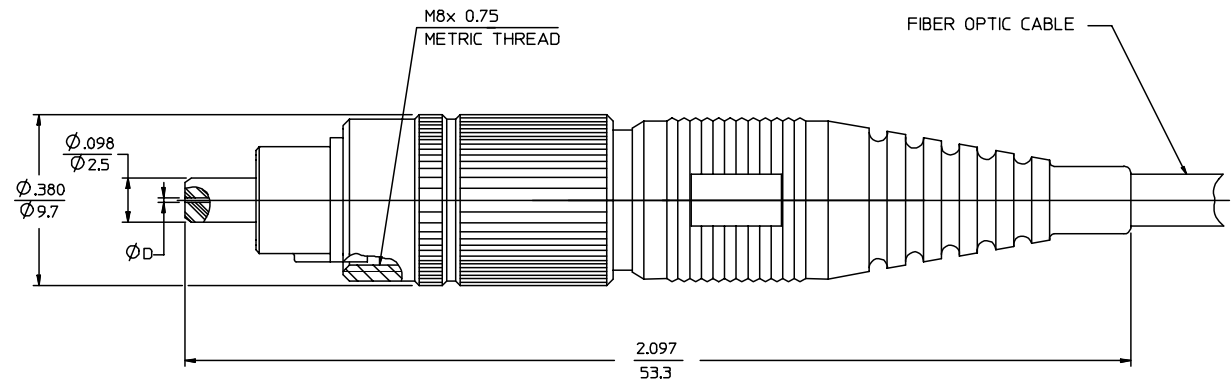


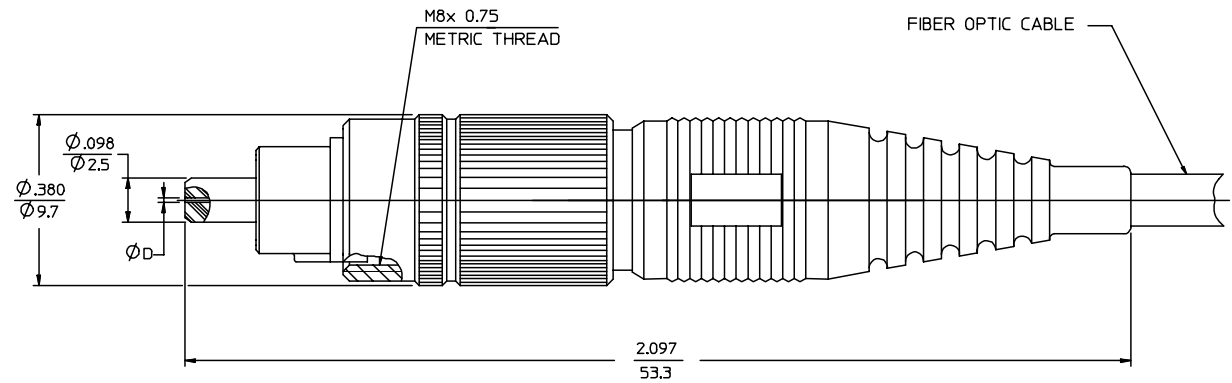
	13	12	11	10	9	8	7	6	5	4	3	2	1	
	P/N OF FCII CONNECTOR	ØD (µm)	FERRULE MATERIAL	BOOT COLOR	CABLE DIAMETER	CABLE TYPE								
J	86053-0000	127	Zr	BLACK	3mm	MULTIMODE								J
	86053-0080			RED										
	86053-0300			BLACK	2.4mm									
	86053-0380			RED										
I	86053-2000	125.5		YELLOW	3mm	SINGLE MODE								I
	86053-2070			BLACK										
	86053-2080			RED										
	86053-2090			GRAY	2.4mm									
	86053-2300			YELLOW										
	86053-2370			BLACK										
	86053-2380			RED										
	86053-2390			GRAY										
86053-3000	BLACK													
H	86053-3080	128	RED	3mm	MULTIMODE								H	
	86053-3090		GRAY											
	86053-3300		BLACK	2.4mm										
	86053-3380		RED											
	86053-3390		GRAY											
G	86053-4000	125	YELLOW	3mm	SINGLE MODE								G	
	86053-4070		BLACK											
	86053-4080		RED	2.4mm										
	86053-4300		YELLOW											
	86053-4370		BLACK											
	86053-4380		RED											
	86053-5000		YELLOW											
F	86053-5070	126	BLACK	3mm	SINGLE MODE								F	
	86053-5080		RED											
	86053-5090		GRAY	2.4mm										
	86053-5300		YELLOW											
	86053-5370		BLACK											
	86053-5380		RED											
	86053-5390		GRAY											
	86053-7000		YELLOW											
E	86053-7070	127	BLACK	3mm	MULTIMODE								E	
	86053-7080		RED											
	86053-7300		YELLOW	2.4mm										
	86053-7370		BLACK											
	86053-7380		RED											
D	86053-8080		STAINLESS STEEL	3mm	MULTIMODE								D	
	86053-8300		BLACK											
	86053-8380		RED	2.4mm										



NOTE:  
ALL DIMENSIONS ARE GIVEN IN  $\frac{\text{INCHES}}{\text{mm}}$

ENTER DESCRIPTION EC NO: MF2007-0441 DRWNR/REV: ZNER 2007/06/11 CHKD: 2007/06/11 APPR: JGUMIN 2007/06/13 REV:	QUALITY SYMBOLS	GENERAL TOLERANCES (UNLESS SPECIFIED)	DIMENSION STYLE	SCALE	DESIGN UNITS	THIRD ANGLE PROJECTION															
	$\nabla=0$ $\nabla=0$	<table border="1"> <thead> <tr> <th></th> <th>mm</th> <th>INCH</th> </tr> </thead> <tbody> <tr> <td>4 PLACES</td> <td>± ---</td> <td>± ---</td> </tr> <tr> <td>3 PLACES</td> <td>± ---</td> <td>± ---</td> </tr> <tr> <td>2 PLACES</td> <td>± ---</td> <td>± ---</td> </tr> <tr> <td>1 PLACE</td> <td>± ---</td> <td>± ---</td> </tr> </tbody> </table>		mm	INCH	4 PLACES	± ---	± ---	3 PLACES	± ---	± ---	2 PLACES	± ---	± ---	1 PLACE	± ---	± ---	IN/MM	5:1	INCH	
		mm	INCH																		
	4 PLACES	± ---	± ---																		
3 PLACES	± ---	± ---																			
2 PLACES	± ---	± ---																			
1 PLACE	± ---	± ---																			
	ANGULAR ±1/2°	DRAWN BY	DATE	FCII CONNECTOR ONE PIECE DESIGN																	
	DRAFT WHERE APPLICABLE MUST REMAIN WITHIN DIMENSIONS	CHECKED BY	DATE	MOLEX INCORPORATED																	
		APPROVED BY	DATE	MATERIAL NO.	DOCUMENT NO.	SHEET NO.															
				SEE TABLE	86053-YYYOCD	1 OF 1															
				THIS DRAWING CONTAINS INFORMATION THAT IS PROPRIETARY TO MOLEX INCORPORATED AND SHOULD NOT BE USED WITHOUT WRITTEN PERMISSION																	

	13	12	11	10	9	8	7	6	5	4	3	2	1
	P/N OF FCII CONNECTOR	ØD (µm)	FERRULE MATERIAL	BOOT COLOR	CABLE DIAMETER	CABLE TYPE							
J	86053-0000	127	Zr	BLACK	3mm	MULTIMODE							
	86053-0080			RED									
	86053-0300			BLACK	2.4mm								
	86053-0380			RED									
I	86053-2000	125.5		YELLOW	3mm	SINGLE MODE							
	86053-2070			BLACK									
	86053-2080			RED									
	86053-2090			GRAY	2.4mm								
	86053-2300			YELLOW									
	86053-2370			BLACK	2.4mm								
	86053-2380			RED									
	86053-2390			GRAY									
H	86053-3000	128	BLACK	3mm	MULTIMODE								
	86053-3080		RED										
	86053-3090		GRAY	2.4mm									
	86053-3300		BLACK										
	86053-3380		RED										
G	86053-4000	125	YELLOW	3mm	SINGLE MODE								
	86053-4070		BLACK										
	86053-4080		RED	2.4mm									
	86053-4300		YELLOW										
	86053-4370		BLACK	3mm									
	86053-4380		RED										
	86053-5000		YELLOW										
F	86053-5070	126	BLACK	2.4mm	SINGLE MODE								
	86053-5080		RED										
	86053-5090		GRAY	3mm									
	86053-5300		YELLOW										
	86053-5370		BLACK										
	86053-5380		RED	2.4mm									
	86053-5390		GRAY										
	E		86053-7000	127		YELLOW	3mm	MULTIMODE					
86053-7070		BLACK											
86053-7080		RED	2.4mm										
86053-7300		YELLOW											
86053-7370		BLACK	2.4mm										
86053-7380	RED												
D	86053-8080		STAINLESS STEEL	RED	3mm	MULTIMODE							
	86053-8300		BLACK	2.4mm									
	86053-8380		RED										



NOTE:  
ALL DIMENSIONS ARE GIVEN IN  $\frac{\text{INCHES}}{\text{mm}}$

ENTER DESCRIPTION EC NO: MF2007-0441 DRWNR/REV: ZNER 2007/06/11 CHKD: 2007/06/11 APPR: JGUMIN 2007/06/13 REV:	QUALITY SYMBOLS	GENERAL TOLERANCES (UNLESS SPECIFIED)	DIMENSION STYLE	SCALE	DESIGN UNITS	THIRD ANGLE PROJECTION															
	$\nabla=0$ $\nabla=0$	<table border="1"> <thead> <tr> <th></th> <th>mm</th> <th>INCH</th> </tr> </thead> <tbody> <tr> <td>4 PLACES</td> <td>± ---</td> <td>± ---</td> </tr> <tr> <td>3 PLACES</td> <td>± ---</td> <td>± ---</td> </tr> <tr> <td>2 PLACES</td> <td>± ---</td> <td>± ---</td> </tr> <tr> <td>1 PLACE</td> <td>± ---</td> <td>± ---</td> </tr> </tbody> </table>		mm	INCH	4 PLACES	± ---	± ---	3 PLACES	± ---	± ---	2 PLACES	± ---	± ---	1 PLACE	± ---	± ---	IN/MM	5:1	INCH	
		mm	INCH																		
	4 PLACES	± ---	± ---																		
3 PLACES	± ---	± ---																			
2 PLACES	± ---	± ---																			
1 PLACE	± ---	± ---																			
	ANGULAR ±1/2°	DRAWN BY	DATE	FCII CONNECTOR ONE PIECE DESIGN																	
	DRAFT WHERE APPLICABLE MUST REMAIN WITHIN DIMENSIONS	CHECKED BY	DATE	MOLEX INCORPORATED																	
		APPROVED BY	DATE	MATERIAL NO.	DOCUMENT NO.	SHEET NO.															
				SEE TABLE	86053-YYYOCD	1 OF 1															
				THIS DRAWING CONTAINS INFORMATION THAT IS PROPRIETARY TO MOLEX INCORPORATED AND SHOULD NOT BE USED WITHOUT WRITTEN PERMISSION																	