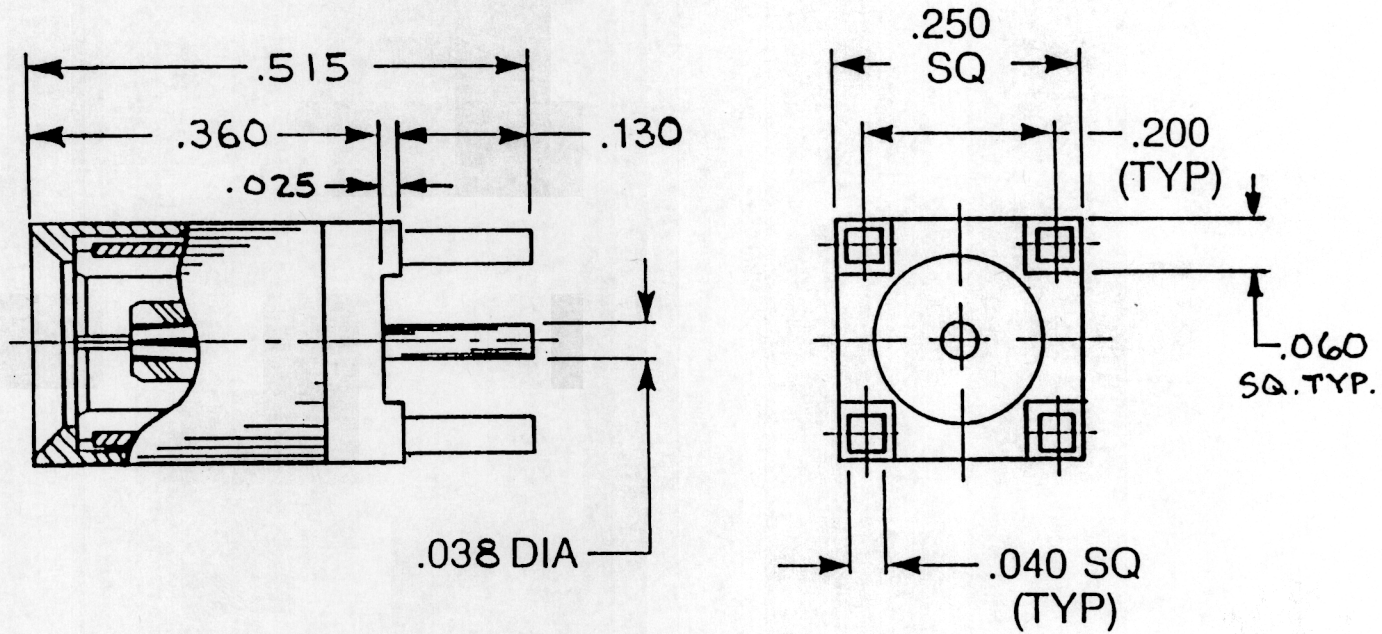


REVISIONS

LTR	DESCRIPTION	DATE	APPROVED



NOTES: CONFORMS TO MIL-C-39012

MATERIAL:

1. BODY & SLEEVE = BRASS 1/2 HARD PER ASTM B16, ALLOY 360.
2. CONTACT & SPRING = BERYLLIUM COPPER PER ASTM B196.
3. INSULATOR = VIRGIN WHITE TEFLON PER ASTM D1710.

FINISHES:

1. CONTACT = GOLD PLATE PER MIL-G-45204 TYPE II, CLASS I, GRADE C OVER STRESS FREE SULFAMATE NICKEL PER QQ-N-290.
2. ALL OTHER METAL PARTS = GOLD PLATE PER MIL-G-45204 TYPE II, CLASS O, GRADE C OVER COPPER STRIKE PER MIL-C-14550.

PROPRIETARY INFORMATION
NOT TO BE RELEASED
WITHOUT WRITTEN PERMISSION
FROM AN AUTHORIZED
REPRESENTATIVE OF
APPLIED ENGINEERING PRODUCTS.

Design Products Co. Clearprint #1000H

UNLESS OTHERWISE SPECIFIED DIMENSIONS ARE IN INCHES TOLERANCES ON FRAC. DECIMAL ANGLES 1/64 ± ± 2°	DRAWN <i>D.N.</i>	DATE 3-18-97	APPLIED ENGINEERING PRODUCTS 104 John W. Murphy Drive, P.O. Box 510 New Haven, CT 06513	
	CHECKED <i>TEAYE</i>	DATE 3/18/97		
MATERIAL: <i>x</i>	APPROVED <i>[Signature]</i>	DATE 3/18/97	SLB STRAIGHT SLIDE-ON P.C. MOUNT PLUG	
	FINISH: <i>x</i>			
	SIZE A	CODE IDENT NO. 19505	3025-1511-050	
	SCALE <i>x</i>		SHEET	1 OF 1