

FEATURES

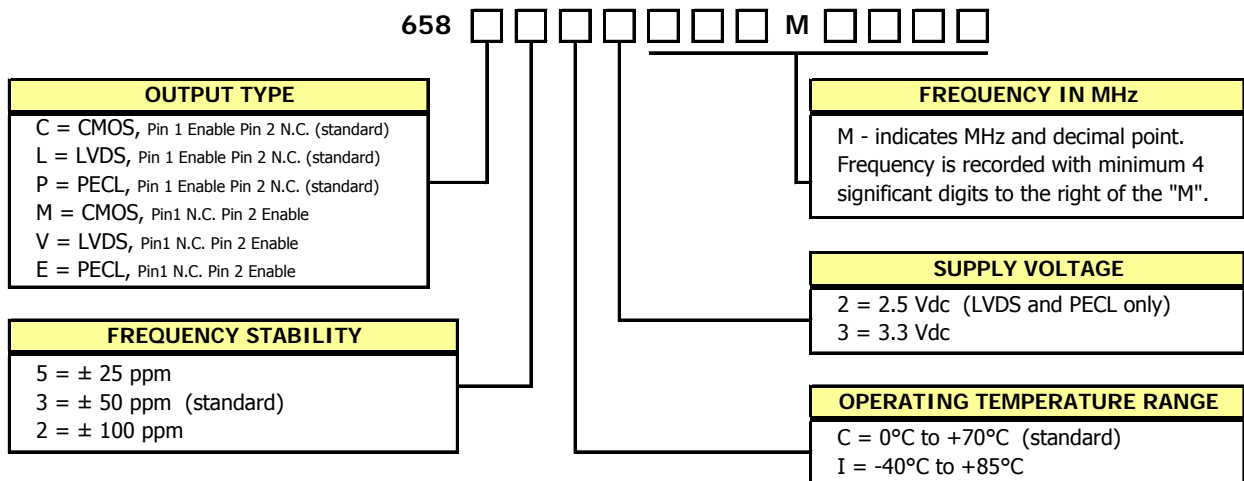
- Standard 7x5mm Surface Mount Footprint
- LVCMOS, Differential LVPECL or LVDS Outputs
- Frequency Range 38 – 750 MHz
- Frequency Stability, ± 50 ppm Standard (± 25 ppm and ± 100 ppm available)
- +2.5Vdc or +3.3Vdc Operation
- Operating Temperature to -40°C to $+85^{\circ}\text{C}$
- Output Enable Standard
- Low Phase Jitter, *PLL Multiplier*
- Tape & Reel Packaging
- **RoHS/Green Compliant**

DESCRIPTION

The Model 658 is a ceramic packaged Clock oscillator offering reduced size and enhanced stability. The small size means it is perfect for any application. The enhanced stability means it is the perfect choice for today's communications applications that require tight frequency control.



ORDERING INFORMATION



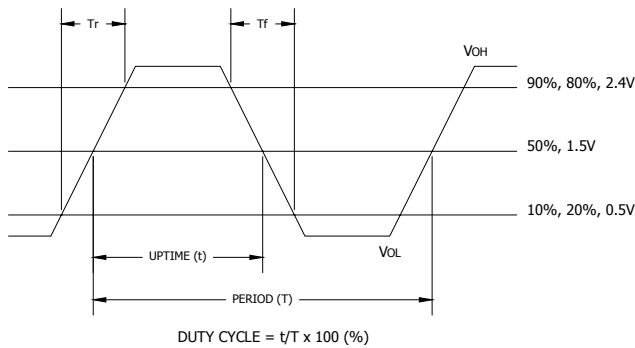
Example Part Number: 658P3C3155M5200

ELECTRICAL CHARACTERISTICS

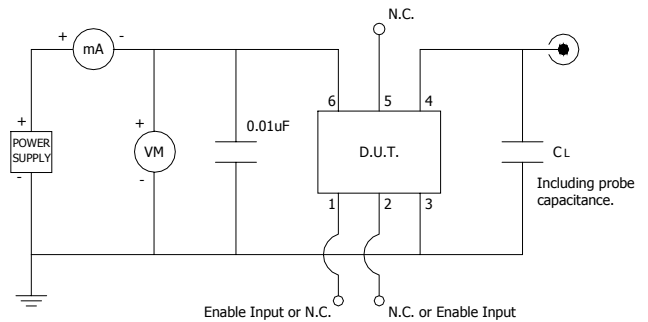
	PARAMETER	SYMBOL	CONDITIONS	MIN	TYP	MAX	UNIT	
Absolute Maximums	Maximum Supply Voltage	V_{CC}	-	-0.5	-	7.0	V	
	Storage Temperature	T_{STG}	-	-55	-	125	°C	
	Frequency Range	f_0	-	50	-	250	MHz	
	LVCMOS			38	-	750		
	Frequency Stability (See Note 1 and Ordering Information)	$\Delta f/f_0$	-	-	-	25, 50 or 100	± ppm	
	Operating Temperature	T_A	-	0	25	70	°C	
Commercial	-40			85				
Electrical and Waveform Parameters	Supply Voltage (See Ordering Information)	V_{CC}	± 5 %	2.38 3.14	2.5 3.3	2.63 3.47	V	
	Supply Current	I_{CC}	Maximum Load	-	-	-	mA	
	LVCMOS		< 160 MHz	-	-	40		
			≥ 160 MHz	-	-	50		
	LVPECL		< 160 MHz	-	-	75		
			≥ 160 MHz	-	-	100		
	LVDS	< 160 MHz	-	-	60			
		≥ 160 MHz	-	-	80			
	Start Up Time	T_S	Application of V_{CC}	-	-	10	ms	
	Phase Jitter	t_{jms}	Bandwidth 12 kHz - 20 MHz	-	3.5	5	ps RMS	
	Enable Function							
	Enable Input Voltage	V_{IH}	Pin 1 or Pin 2 Logic '1', Output Enabled	$0.7 \cdot V_{CC}$	-	-	V	
	Disable Input Voltage	V_{IL}	Pin 1 or Pin 2 Logic '0', Output Disabled	-	-	$0.3 \cdot V_{CC}$		
	Disable Current	I_{IL}	Pin 1 or Pin 2 Logic '1', Output Disabled	-	-	20	µA	
	Enable Time	T_{PLZ}	Pin 1 or Pin 2 Logic '1'	-	5	10	ms	
	LVCMOS WAVEFORM							
	Output Load	C_L		-	-	15	pF	
	Output Duty Cycle	SYM	@ 50% Level	45	-	55	%	
	Output Voltage Levels							
	Logic '1' Level	V_{OH}	CMOS Load	$90\%V_{CC}$	-	-	V	
	Logic '0' Level	V_{OL}	CMOS Load	-	-	$10\%V_{CC}$		
	Rise and Fall Time	T_{R}, T_F	@ 20% - 80% Levels	-	2	5.0	ns	
	LVPECL WAVEFORM							
	Output Load	R_L	-	-	50	-	Ohms	
	Output Duty Cycle	SYM	@ $V_{CC} - 1.3V$	45	-	55	%	
	Output Voltage Levels							
	Logic '1' Level	V_{OH}	PECL Load	$V_{CC} - 1.025V$	-	-	V	
	Logic '0' Level	V_{OL}	PECL Load	-	-	$V_{CC} - 1.62V$		
Rise and Fall Time	T_{R}, T_F	@ 20% - 80% Levels	-	0.4	1.0	ns		
LVDS WAVEFORM								
Output Load	R_L	-	-	100	-	Ohms		
Output Duty Cycle	SYM	@ 1.25V	45	-	55	%		
Differential Voltage	V_{OD}	$R_L = 100$ Ohms	250	350	450	mV		
Output Voltage Levels								
Logic '1' Level	V_{OH}	LVDS Load	-	-	1.6	V		
Logic '0' Level	V_{OL}	LVDS Load	0.9	-	-			
Rise and Fall Time	T_{R}, T_F	@ 20% - 80% Levels	-	0.4	1.0	ns		

Notes:
1. Inclusive of initial tolerance at time of shipment, changes in supply voltage, load, temperature and 10 year aging at an average operating temperature of +40 °C.

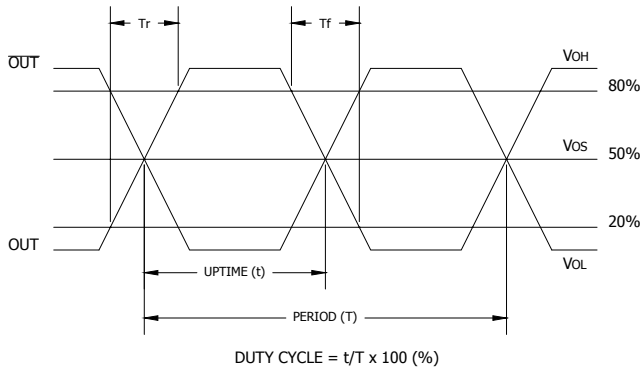
CMOS/TTL OUTPUT WAVEFORM



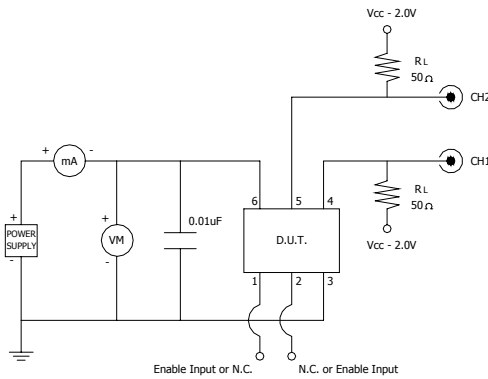
TEST CIRCUIT, CMOS LOAD



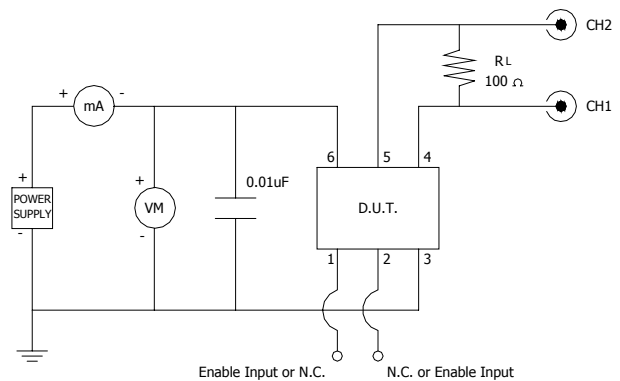
PECL/LVDS OUTPUT WAVEFORM



TEST CIRCUIT, PECL LOAD



TEST CIRCUIT, LVDS LOAD



D.U.T. PIN ASSIGNMENTS

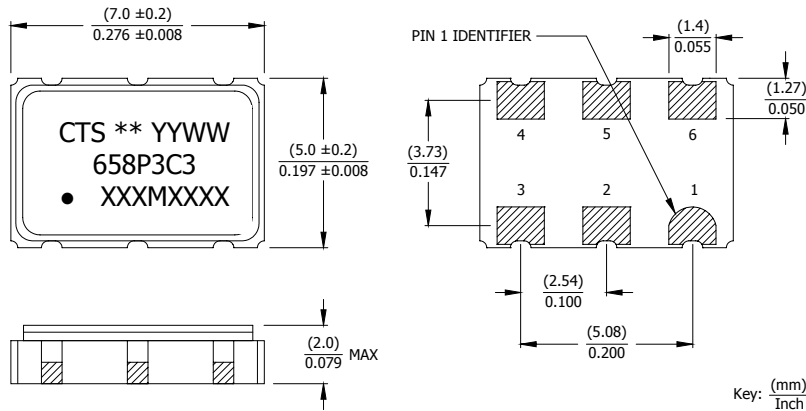
PIN	SYMBOL	DESCRIPTION
1	EOH / NC	Enable or No Connect
2	NC / EOH	No Connect or Enable
3	GND	Circuit & Package Ground
4	Output	RF Output
5	Output / NC	Complimentary RF Output (PECL and LVDS Only)
6	V _{CC}	Supply Voltage

ENABLE TRUTH TABLE

PIN 1 or 2	PIN 4 / PIN 5
Logic '1'	Output
Open	Output
Logic '0'	High Imp.

MECHANICAL SPECIFICATIONS

PACKAGE DRAWING



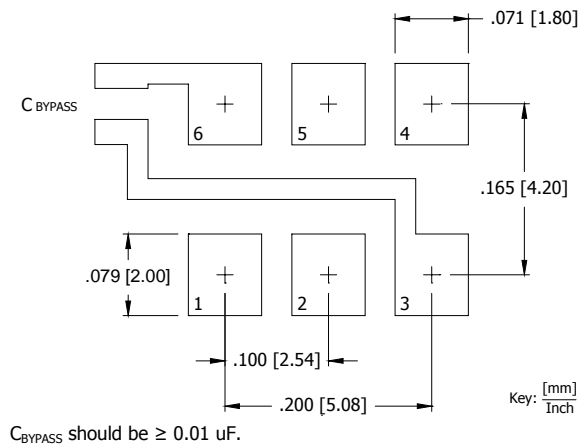
MARKING INFORMATION

1. ** - Manufacturing Site Code.
2. YYWW – Date code, YY – year, WW – week.
3. Truncated CTS part number.
4. XXXMXXXX - Frequency marked with 4 significant digits after the 'M'.

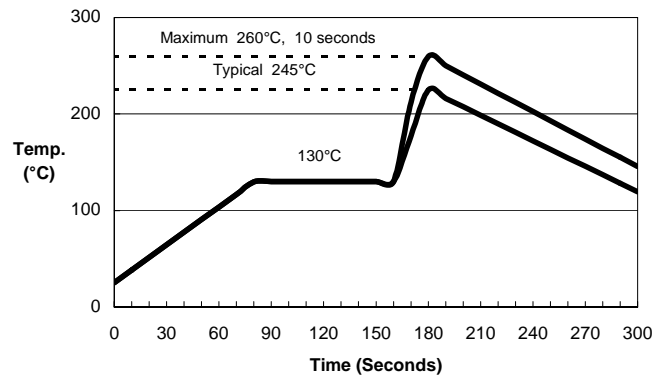
NOTES

1. Termination pads (e4), barrier-plating is nickel (Ni) with gold (Au) flash plate.
2. Reflow conditions per JEDEC J-STD-020.

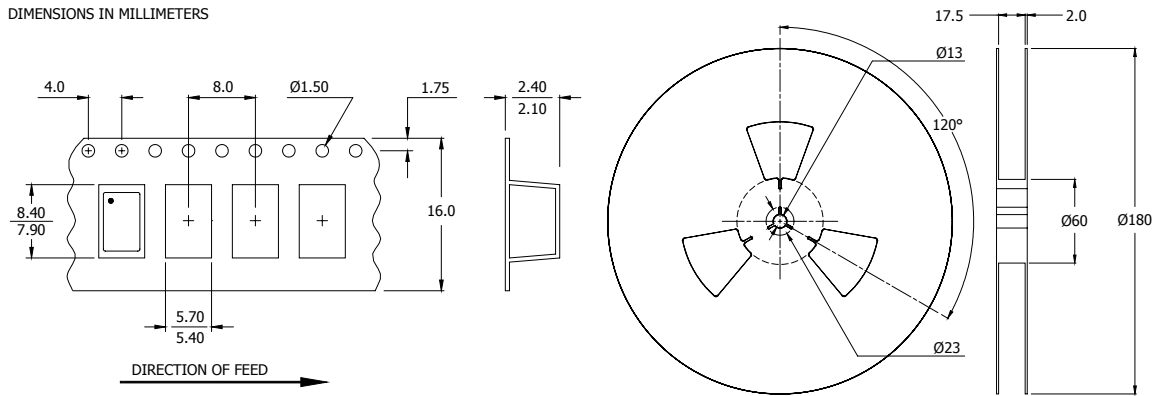
SUGGESTED SOLDER PAD GEOMETRY



SUGGESTED REFLOW PROFILE



TAPE AND REEL INFORMATION



Device quantity is 1,000 pieces per 180mm reel.

ENVIRONMENTAL SPECIFICATIONS

Temperature Cycle:	400 cycles from -55°C to $+125^{\circ}\text{C}$, 10 minute dwell at each temperature, 1 minute transfer time between temperatures.
Mechanical Shock:	1,500g's, 0.5mS duration, $\frac{1}{2}$ sinewave, 3 shocks each direction along 3 mutually perpendicular planes (18 total shocks).
Sinusoidal Vibration:	0.06 inches double amplitude, 10 to 55 Hz and 20g's, 55 to 2,000 Hz, 3 cycles each in 3 mutually perpendicular planes (9 times total).
Gross Leak:	No leak shall appear while immersed in an FC40 or equivalent liquid at $+125^{\circ}\text{C}$ for 20 seconds.
Fine Leak:	Mass spectrometer leak rates less than 2×10^{-8} ATM cc/sec air equivalent.
Resistance to Solder Heat:	Product must survive 3 reflows of $+260^{\circ}\text{C}$ peak, 10 seconds maximum.
High Temperature Operating Bias:	2,000 hours at $+125^{\circ}\text{C}$, maximum bias, disregarding frequency shift.
Frequency Aging:	1,000 hours at $+85^{\circ}\text{C}$, full bias, less than ± 5 ppm shift.
Moisture Sensitivity Level:	Level 1 per JEDEC J-STD-020.

QUALITY AND RELIABILITY

Quality systems meet or exceed the requirements of ISO 9000:2000 standards.